



OMP

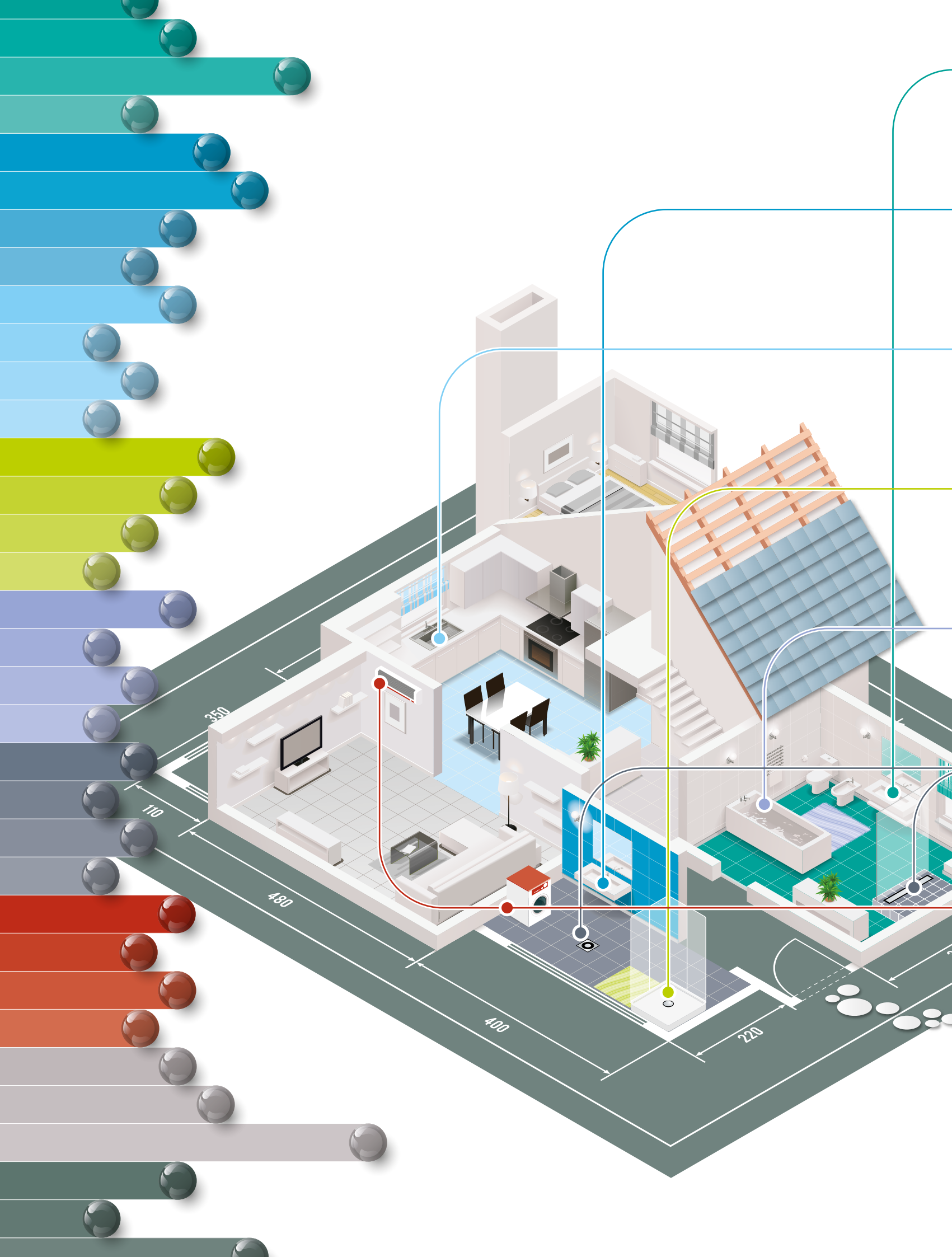
General
catalogue

03

PREVIEW

omptea.eu







Design

ds



Washbasin e bidet

01



Sink

02



Shower tray

03



Bathtub

04



Floor drain

05



In-wall

06



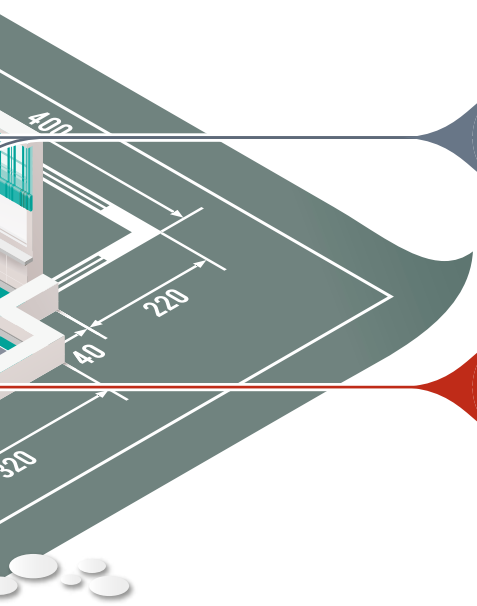
Accessories

07



Informations

i





Design

- 4S Four season -
- Clicker hotellerie -
- Q Clicker -
- Clicker glass -
- Lanterna -
- Lanterna Linse -
- Clicker hotellerie exp - new
- Lanterna exp - new
- Zarpazo hotellerie + Zarpazo Q -
- Navarro -
- Tea clicker - new
- Tea free-flow - new
- Tea space-saver - new
- Ring -
- Innova -
- Totem -
- Toti -
- Quasar -
- Maomao + Maomao floor pipe -
- Maomao -
- Toti bidet -
- Maomao bidet -
- Toti mini -
- Toti, Quasar & Maomao exec -
- Melting pot -



for the sanitary ware image, special thanks to
technova



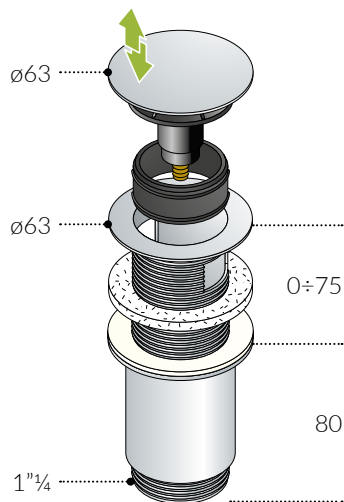
ods



7533

4s Four season

chrome plated brass universal automatic waste



a. 7533.370.5

- $\phi 63$ plug
- H. 90 threaded shaft
- H. 80 $\times 1\frac{1}{4}$ counter nut
- slotted
- with device for overflow closure

size

$\phi 63 \times 1\frac{1}{4}$

packaging

15 - T (box)

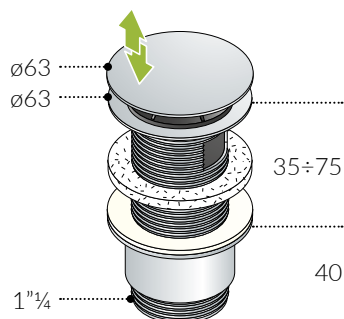
category

C12



47 l/min

15 pcs.



b. 7533.375.5

- $\phi 63$ plug
- H. 90 threaded shaft
- H. 40 $\times 1\frac{1}{4}$ counter nut
- slotted
- with device for overflow closure

size

$\phi 63 \times 1\frac{1}{4}$

packaging

15 - T (box)

category

C12



47 l/min

15 pcs.



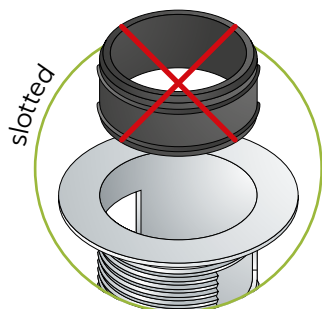
SPARE PARTS / PLUG



137.036.0

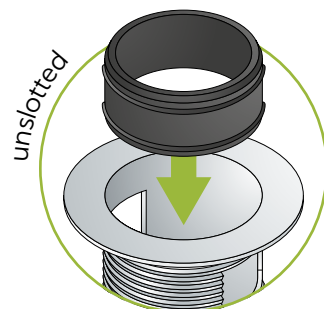
For more informations see page ***

*** NOTES**

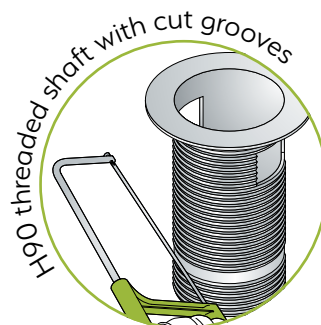


slotted

device for overflow closure

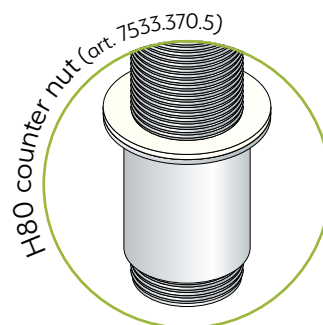


unslotted



H80 threaded shaft with cut grooves

a single product for every thicknesses



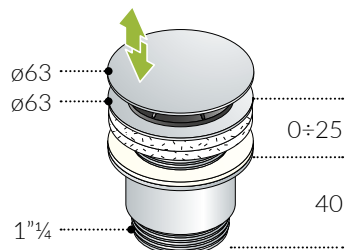
H80 counter nut (art. 7533.370.5)



8530

Clicker hotellerie

chrome plated brass automatic waste



a. 8530.300.5

- $\phi 63$ plug
- H. 35 threaded shaft
- H. 40 \times 1 1/4 counter nut
- unslotted
- suitable also for steel washbasins

size

$\phi 63 \times 1 \frac{1}{4}$

packaging

15 - I (box)

category

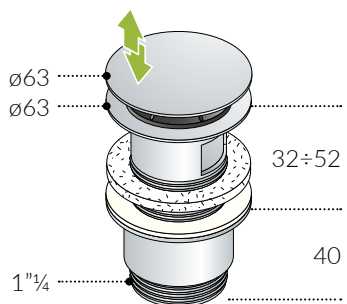
C12



44 l/min



15 pcs.



a. 8530.360.5

- $\phi 63$ plug
- H. 60 threaded shaft
- H. 40 \times 1 1/4 counter nut
- slotted

size

$\phi 63 \times 1 \frac{1}{4}$

packaging

15 - I (box)

category

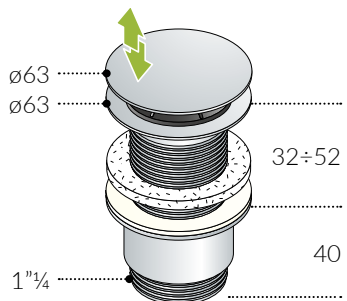
C12



42 l/min



15 pcs.



b. 8530.310.5

- $\phi 63$ plug
- H. 60 threaded shaft
- H. 40 \times 1 1/4 counter nut
- unslotted

size

$\phi 63 \times 1 \frac{1}{4}$

packaging

15 - I (box)

category

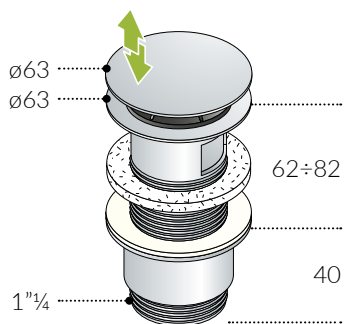
C12



45 l/min



15 pcs.



a. 8530.370.5

- $\phi 63$ plug
- H. 90 threaded shaft
- H. 40 \times 1 1/4 counter nut
- slotted

size

$\phi 63 \times 1 \frac{1}{4}$

packaging

15 - I (box)

category

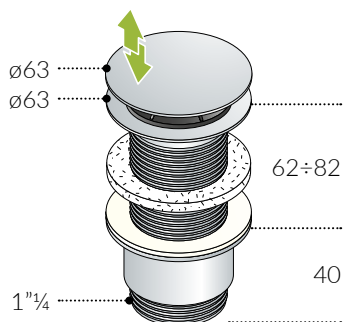
C12



45 l/min



15 pcs.



b. 8530.320.5

- $\phi 63$ plug
- H. 90 threaded shaft
- H. 40 \times 1 1/4 counter nut
- unslotted

size

$\phi 63 \times 1 \frac{1}{4}$

packaging

15 - I (box)

category

C12



45 l/min



15 pcs.



SPARE PARTS / PLUG



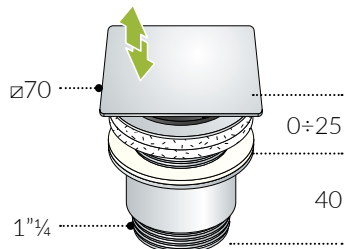
137.036.0

For more informations see page ***



8540 Q Clicker

chrome plated brass automatic waste



a. 8540.300.5

- $\varnothing 70$ square plug
- H. 35 threaded shaft
- H. 40 \times 1 1/4 counter nut
- unslotted
- suitable also for steel washbasins

size

$\varnothing 70 \times 1 \frac{1}{4}$

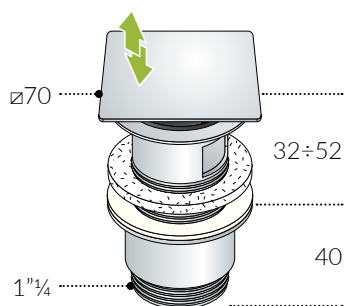


packaging

15 - I (box)

category

C12



a. 8540.360.5

- $\varnothing 70$ square plug
- H. 60 threaded shaft
- H. 40 \times 1 1/4 counter nut
- slotted

size

$\varnothing 70 \times 1 \frac{1}{4}$

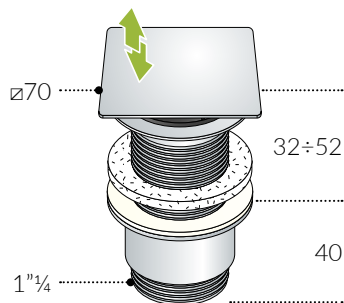


packaging

15 - I (box)

category

C12



b. 8540.310.5

- $\varnothing 70$ square plug
- H. 60 threaded shaft
- H. 40 \times 1 1/4 counter nut
- unslotted

size

$\varnothing 70 \times 1 \frac{1}{4}$

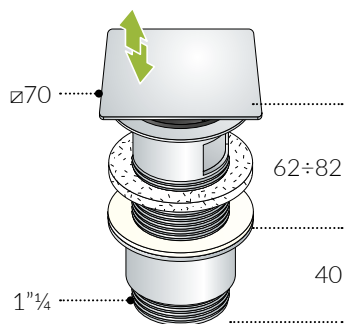


packaging

15 - I (box)

category

C12



a. 8540.370.5

- $\varnothing 70$ square plug
- H. 90 threaded shaft
- H. 40 \times 1 1/4 counter nut
- slotted

size

$\varnothing 70 \times 1 \frac{1}{4}$

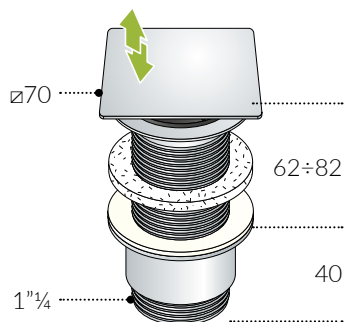


packaging

15 - I (box)

category

C12



b. 8540.320.5

- $\varnothing 70$ square plug
- H. 90 threaded shaft
- H. 40 \times 1 1/4 counter nut
- unslotted

size

$\varnothing 70 \times 1 \frac{1}{4}$



packaging

15 - I (box)

category

C12



SPARE PARTS / PLUG



137.037.0

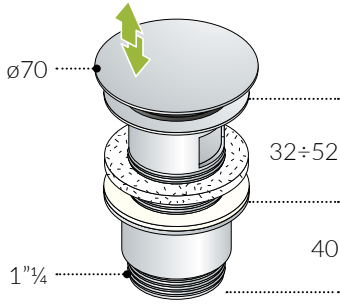
For more informations see page ***



8530

Clicker glass

c.p. brass automatic wastes with bigger top for glass washbasin



a. 8530.660.5

- ø70 bigger plug for glass washbasins
- H. 60 threaded shaft
- H. 40 × 1 1/4 counter nut
- slotted

size

ø70 × 1 1/4



44 l/min



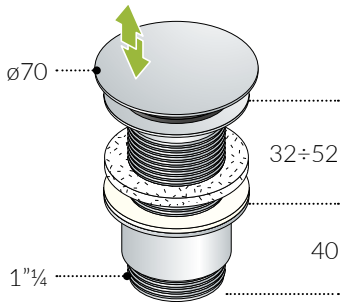
15 pcs.

packaging

15 - I (box)

category

C12



b. 8530.610.5

- ø70 bigger plug for glass washbasins
- H. 60 threaded shaft
- H. 40 × 1 1/4 counter nut
- unslotted

size

ø70 × 1 1/4



44 l/min



15 pcs.

packaging

15 - I (box)

category

C12



SPARE PARTS / PLUG



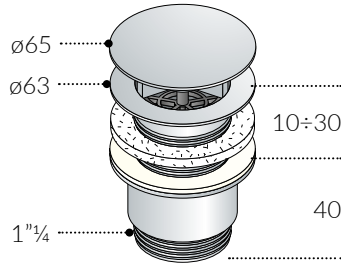
137.053.0

For more informations see page ***



147 Lantern

chrome plated brass free-flow waste



a. 147.355.5

- $\phi 65$ cover
- H. 40 threaded shaft
- H. 40 $\times 1\frac{1}{4}$ counter nut
- unslotted
- suitable also for steel washbasins

size

$\phi 63 \times 1\frac{1}{4}$



53 l/min



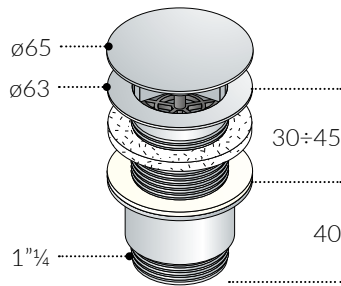
15 pcs.

packaging

15 - I (box)

category

C12



a. 147.555.5

- $\phi 65$ cover
- H. 55 threaded shaft
- H. 40 $\times 1\frac{1}{4}$ counter nut
- unslotted

size

$\phi 63 \times 1\frac{1}{4}$



53 l/min



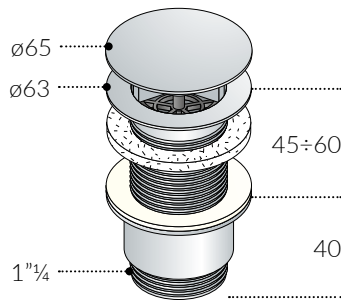
15 pcs.

packaging

15 - I (box)

category

C12



b. 147.755.5

- $\phi 65$ cover
- H. 70 threaded shaft
- H. 40 $\times 1\frac{1}{4}$ counter nut
- unslotted

size

$\phi 63 \times 1\frac{1}{4}$



53 l/min



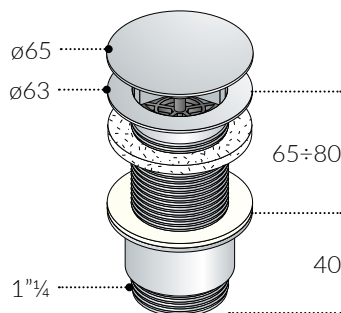
15 pcs.

packaging

15 - I (box)

category

C12



c. 147.955.5

- $\phi 65$ cover
- H. 90 threaded shaft
- H. 40 $\times 1\frac{1}{4}$ counter nut
- unslotted

size

$\phi 63 \times 1\frac{1}{4}$



53 l/min



15 pcs.

packaging

15 - I (box)

category

C12

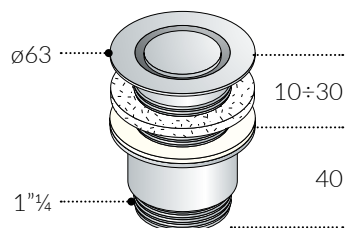


SPARE PARTS / COVER



119.713.5

For more informations see page ***

**a. 147.345.5**

- $\phi 32$ grid
- H. 40 threaded shaft
- H. 40 $\times 1\frac{1}{4}$ counter nut
- unslotted
- suitable also for steel washbasins

size

 $\phi 63 \times 1\frac{1}{4}$ 

36 l/min



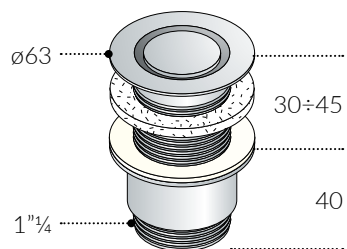
15 pcs.

packaging

15 - I (box)

category

C12

**a. 147.545.5**

- $\phi 32$ grid
- H. 55 threaded shaft
- H. 40 $\times 1\frac{1}{4}$ counter nut
- unslotted

size

 $\phi 63 \times 1\frac{1}{4}$ 

36 l/min



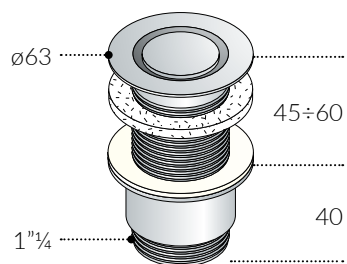
15 pcs.

packaging

15 - I (box)

category

C12

**b. 147.745.5**

- $\phi 32$ grid
- H. 70 threaded shaft
- H. 40 $\times 1\frac{1}{4}$ counter nut
- unslotted

size

 $\phi 63 \times 1\frac{1}{4}$ 

36 l/min



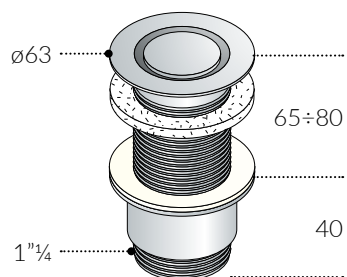
15 pcs.

packaging

15 - I (box)

category

C12

**c. 147.945.5**

- $\phi 32$ grid
- H. 90 threaded shaft
- H. 40 $\times 1\frac{1}{4}$ counter nut
- unslotted

size

 $\phi 63 \times 1\frac{1}{4}$ 

36 l/min



15 pcs.

packaging

15 - I (box)

category

C12



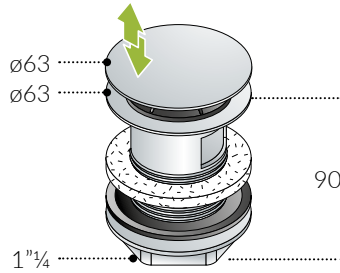


8530

Clicker hotellerie exp

chrome plated brass automatic waste

new



a. 8530.361.5

- $\phi 63$ plug
- H. $60 \times 1\frac{1}{4}$ threaded shaft
- H. 8 counter nut
- slotted

size

$\phi 63 \times 1\frac{1}{4}$

packaging

15 - I (box)

category

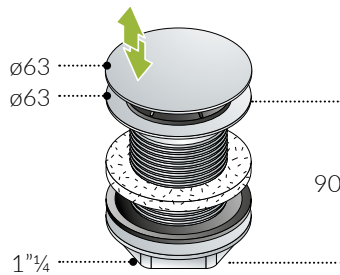
C12



45 l/min



15 pcs.



b. 8530.311.5

- $\phi 63$ plug
- H. $60 \times 1\frac{1}{4}$ threaded shaft
- H. 8 counter nut
- unslotted

size

$\phi 63 \times 1\frac{1}{4}$

packaging

15 - I (box)

category

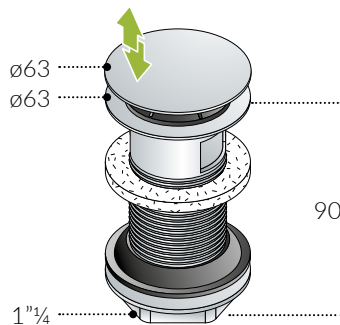
C12



45 l/min



15 pcs.



a. 8530.371.5

- $\phi 63$ plug
- H. $90 \times 1\frac{1}{4}$ threaded shaft
- H. 8 counter nut
- slotted

size

$\phi 63 \times 1\frac{1}{4}$

packaging

15 - I (box)

category

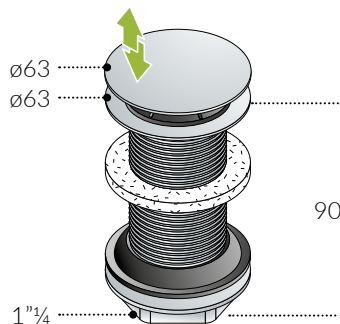
C12



45 l/min



15 pcs.



b. 8530.321.5

- $\phi 63$ plug
- H. $90 \times 1\frac{1}{4}$ threaded shaft
- H. 8 counter nut
- unslotted

size

$\phi 63 \times 1\frac{1}{4}$

packaging

15 - I (box)

category

C12



45 l/min



15 pcs.



SPARE PARTS / PLUG



137.036.0

For more informations see page ***

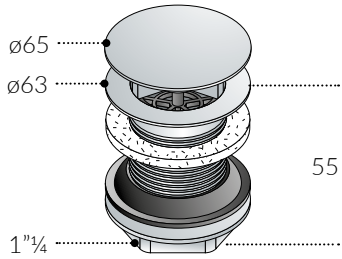


147

Lanterna exp

chrome plated brass free-flow waste

new



a. 147.550.5

- $\phi 65$ cover
- H. $55 \times 1\frac{1}{4}$ threaded shaft
- H. 8 counter nut
- unslotted

size

$\phi 63 \times 1\frac{1}{4}$



53 l/min



15 pcs.

packaging

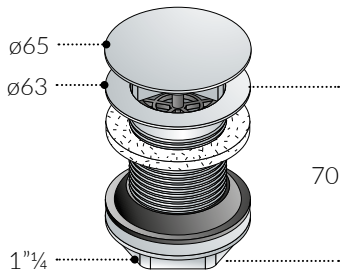
15 - I (box)



new

category

C12



b. 147.750.5

- $\phi 65$ cover
- H. $70 \times 1\frac{1}{4}$ threaded shaft
- H. 8 counter nut
- unslotted

size

$\phi 63 \times 1\frac{1}{4}$



53 l/min



15 pcs.

packaging

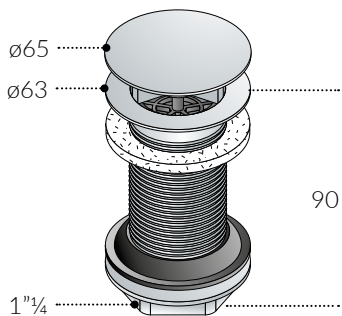
15 - I (box)



new

category

C12



c. 147.950.5

- $\phi 65$ cover
- H. $90 \times 1\frac{1}{4}$ threaded shaft
- H. 8 counter nut
- unslotted

size

$\phi 63 \times 1\frac{1}{4}$



53 l/min



15 pcs.

packaging

15 - I (box)



new

category

C12



SPARE PARTS / COVER



119.713.5

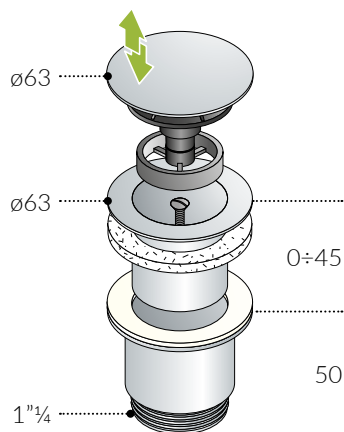
For more informations see page ***



8532 + 8542

Zarpazo hotellerie + Zarpazo Q

chrome plated brass automatic waste with screw



a. 8532.310.5

- $\phi 63$ plug
- H. 40 waste
- H. $50 \times 1\frac{1}{4}$ counter nut
- screw L. 60

size

$\phi 63 \times 1\frac{1}{4}$

packaging

15 - I (box)

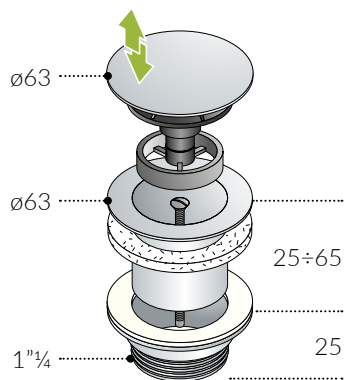
category

C12



OTHER FINISHING AVAILABLE

matt black 8532.310.5.X	matt white 8532.310.5.XD	polished gold 8532.310.5.3	brushed steel 8532.310.5.Y2	brushed bronze 8532.310.5.6
----------------------------	-----------------------------	-------------------------------	--------------------------------	--------------------------------



b. 8532.312.5

- $\phi 63$ plug
- H. 40 waste
- H. $25 \times 1\frac{1}{4}$ counter nut
- screw L. 60

size

$\phi 63 \times 1\frac{1}{4}$

packaging

15 - I (box)

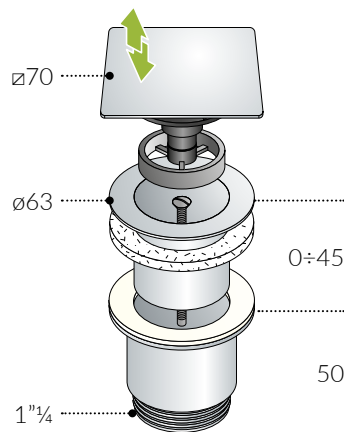
category

C12



SPARE PARTS / PLUG

137.027.0
For more informations see page ***



a. 8542.310.5

- $\square 70$ square plug
- H. 40 waste
- H. $50 \times 1\frac{1}{4}$ counter nut
- screw L. 60

size

$\square 70 \times 1\frac{1}{4}$

packaging

15 - I (box)

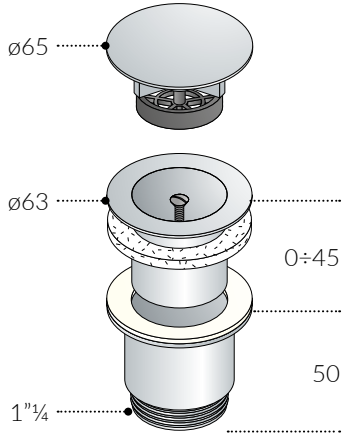
category

C12



542 Navarro

chrome plated brass free-flow waste with screw



a. 542.710.5

- ø70 cover
- H. 40 waste
- H. 50 × 1 1/4 counter nut
- screw L. 60

size

ø63 × 1 1/4



packaging

15 - I (box)

category

C12



SPARE PARTS / COVER



119.713.5

For more informations see page ***

OTHER FINISHING AVAILABLE

matt black

542.710.5.X

matt white

542.710.5.XD

polished gold

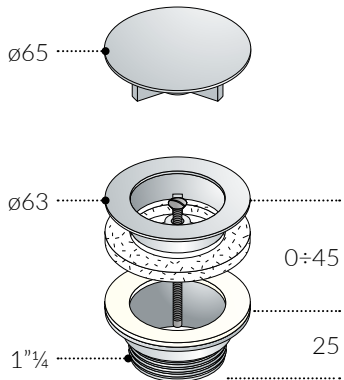
542.710.5.3

brushed steel

542.710.5.Y2

brushed bronze

542.710.5.6



a. 542.742.5

- ø70 cover
- H. 25 waste
- H. 25 × 1 1/4 counter nut
- screw L. 60

size

ø63 × 1 1/4



packaging

15 - I (box)

category

C12



7532

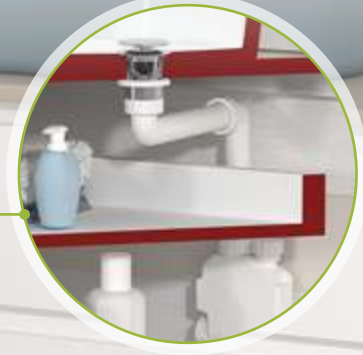
Tea clicker

automatic universal wastes with screw



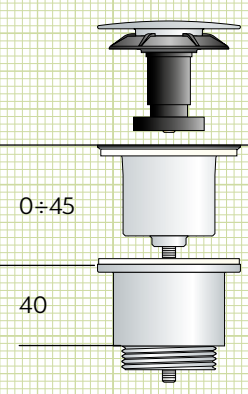
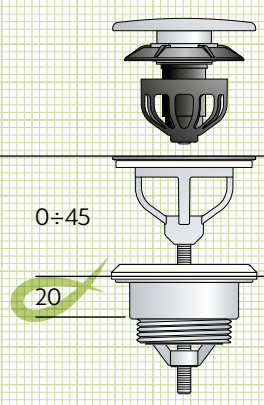
* NOTES

TEA (7532) is the new automatic universal waste designed to obtain the minimum space under the sanitary with the most wide adjustment range and adaptability. In fact, despite its adjustment range is from zero to 45 mm (as the already tested Zarpazo art. 8532), the footprint under the basin is only 20 mm.



* NOTES

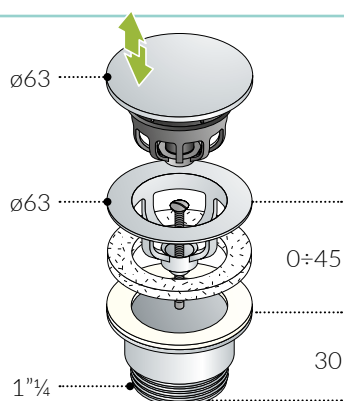
7532.310.5
 water volume 41 l/min
 EN 274 conform



8532.310.5
 water volume 43 l/min
 EN 274 conform



new



a. 7532.310.5

- chrome plated
- $\phi 63$ plug
- H. 40 waste
- H. $30 \times 1\frac{1}{4}$ counter nut
- screw L. 60

size

$\phi 63 \times 1\frac{1}{4}$

packaging

15 - I (box)

category

C04



41 l/min



15 pcs.

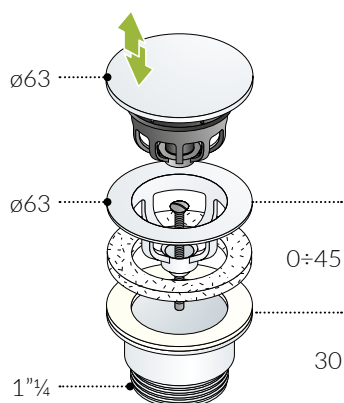


SPARE PARTS / PLUG



137.097.1

For more informations see page ***



a. 7532.310.5.X

- matt black finishing
- $\phi 63$ plug
- H. 40 waste
- H. $30 \times 1\frac{1}{4}$ counter nut
- screw L. 60

size

$\phi 63 \times 1\frac{1}{4}$

packaging

15 - I (box)

category

C04



41 l/min



15 pcs.



b. 7532.310.5.XD

- matt white finishing
- $\phi 63$ plug
- H. 40 waste
- H. $30 \times 1\frac{1}{4}$ counter nut
- screw L. 60

size

$\phi 63 \times 1\frac{1}{4}$

packaging

15 - I (box)

category

C04



41 l/min



15 pcs.



b. 7532.310.5.Y2

- brushed steel finishing
- $\phi 63$ plug
- H. 40 waste
- H. $30 \times 1\frac{1}{4}$ counter nut
- screw L. 60

size

$\phi 63 \times 1\frac{1}{4}$

packaging

15 - I (box)

category

C04



41 l/min



15 pcs.



a. 7532.310.5.T

- chrome plated
- $\phi 70$ gloss white ceramic plug
- H. 40 waste
- H. $30 \times 1\frac{1}{4}$ counter nut
- screw L. 60

size

$\phi 70 \times 1\frac{1}{4}$

packaging

15 - I (box)

category

C04



41 l/min



15 pcs.



b. 7532.310.5.T1

- chrome plated
- $\phi 70$ matt white ceramic plug
- H. 40 waste
- H. $30 \times 1\frac{1}{4}$ counter nut
- screw L. 60

size

$\phi 70 \times 1\frac{1}{4}$

packaging

15 - I (box)

category

C04



41 l/min



15 pcs.



c. 7532.310.5.T2

- chrome plated
- $\phi 70$ matt black ceramic plug
- H. 40 waste
- H. $30 \times 1\frac{1}{4}$ counter nut
- screw L. 60

size

$\phi 70 \times 1\frac{1}{4}$

packaging

15 - I (box)

category

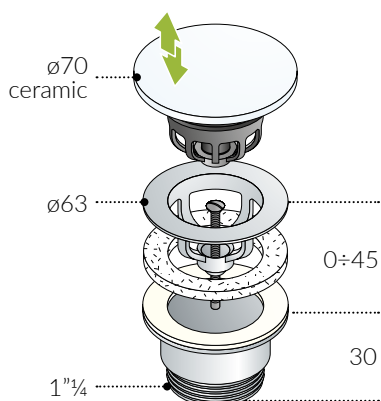
C04



41 l/min



15 pcs.



7542

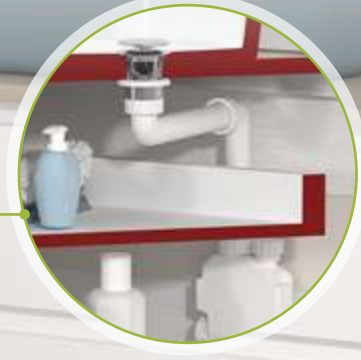
Tea free-flow

free-flow universal wastes with screw





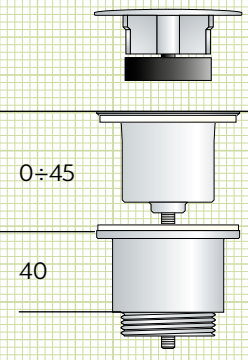
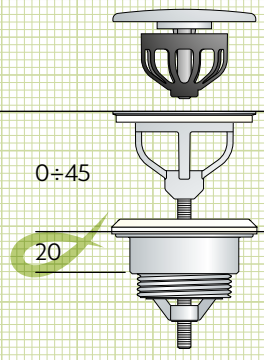
* NOTES



TEA (7542) is the new free-flow universal waste designed to obtain the minimum space under the sanitary with the most wide adjustment range and adaptability. In fact, despite its adjustment range is from zero to 45 mm (as the already tested Navarro art. 542), the footprint under the basin is only 20 mm.



* NOTES

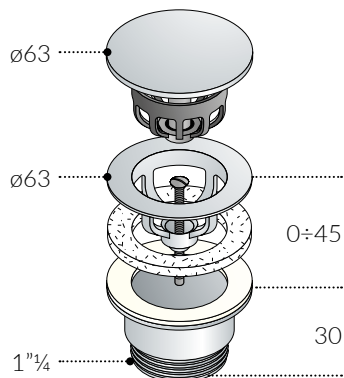
7542.710.5
 water volume 42 l/min
 EN 274 conform



542.710.5
 water volume 54 l/min
 EN 274 conform

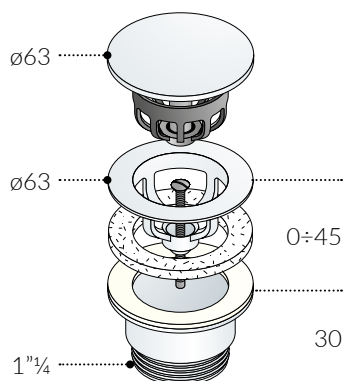


new



a. 7542.710.5	size	packaging	category
<ul style="list-style-type: none"> - chrome plated - $\phi 63$ cover - H. 40 waste - H. $30 \times 1\frac{1}{4}$ counter nut - screw L. 60 	$\phi 63 \times 1\frac{1}{4}$	15 - I (box)	C04
	42 l/min 15 pcs. 		

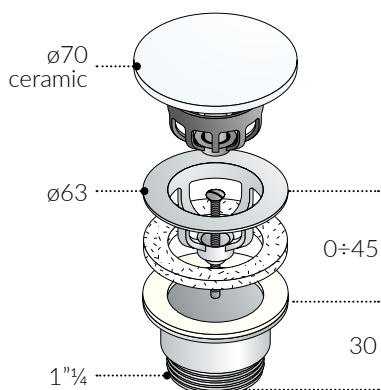
SPARE PARTS / cover
 137.098.1
 For more informations see page ***



a. 7542.710.5.X	size	packaging	category
<ul style="list-style-type: none"> - matt black finishing - $\phi 63$ cover - H. 40 waste - H. $30 \times 1\frac{1}{4}$ counter nut - screw L. 60 	$\phi 63 \times 1\frac{1}{4}$	15 - I (box)	C04
	42 l/min 15 pcs. 		

b. 7542.710.5.XD	size	packaging	category
<ul style="list-style-type: none"> - matt white finishing - $\phi 63$ cover - H. 40 waste - H. $30 \times 1\frac{1}{4}$ counter nut - screw L. 60 	$\phi 63 \times 1\frac{1}{4}$	15 - I (box)	C04
	42 l/min 15 pcs. 		

c. 7542.710.5.Y2	size	packaging	category
<ul style="list-style-type: none"> - brushed steel finishing - $\phi 63$ cover - H. 40 waste - H. $30 \times 1\frac{1}{4}$ counter nut - screw L. 60 	$\phi 63 \times 1\frac{1}{4}$	15 - I (box)	C04
	42 l/min 15 pcs. 		



a. 7542.710.5.T	size	packaging	category
<ul style="list-style-type: none"> - chrome plated - $\phi 70$ gloss white ceramic cover - H. 40 waste - H. $30 \times 1\frac{1}{4}$ counter nut - screw L. 60 	$\phi 70 \times 1\frac{1}{4}$	15 - I (box)	C04
	42 l/min 15 pcs. 		

b. 7542.710.5.T1	size	packaging	category
<ul style="list-style-type: none"> - chrome plated - $\phi 70$ matt white ceramic cover - H. 40 waste - H. $30 \times 1\frac{1}{4}$ counter nut - screw L. 60 	$\phi 70 \times 1\frac{1}{4}$	15 - I (box)	C04
	42 l/min 15 pcs. 		

c. 7542.710.5.T2	size	packaging	category
<ul style="list-style-type: none"> - chrome plated - $\phi 70$ matt black ceramic cover - H. 40 waste - H. $30 \times 1\frac{1}{4}$ counter nut - screw L. 60 	$\phi 70 \times 1\frac{1}{4}$	15 - I (box)	C04
	42 l/min 15 pcs. 		

7532 + 7542

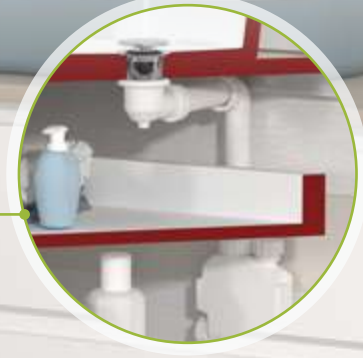
Tea space-saver

universal wastes with screw for space-saver traps



* NOTES

Version with ABS counter nut and horizontal outlet, particularly suitable to be combined with our space-saving traps for washbasins and bathroom furniture. With only 55 mm of total encumbrance from the basin, the new range of Tea waste is the optimal technical solution in bathroom furniture where the presence of drawers and containers under-sink does not allow the installation of traditional wastes and traps.



* NOTES

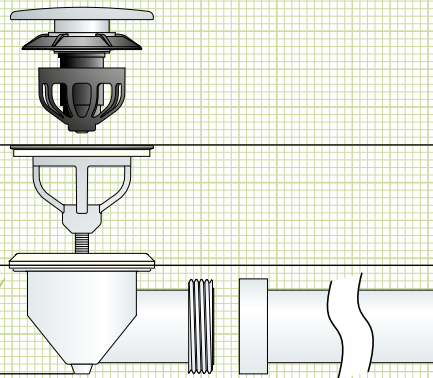
7532.316.5



water volume
31 l/min

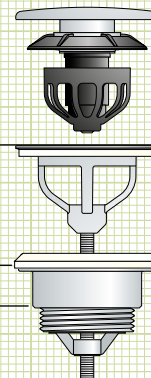
0÷45

55



0÷45

20



7532.310.5



water volume
41 l/min



EN 274
conform



new

a. 7532.316.5




size packaging category

- automatic
- $\phi 63$ c.p. plug
- H. 40 c.p. waste
- H. 55 ABS counter nut with lateral outlet $1\frac{1}{4}$ "
- PP extension L. 200 \times $\phi 32$
- screw L. 35 and 60

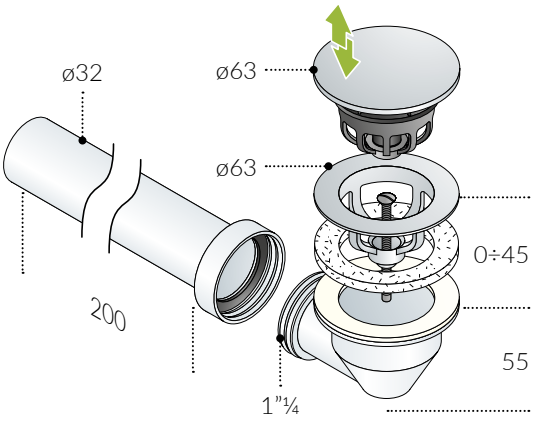
$\phi 63 \times \phi 32$

16 - B (box)

C04

31 l/min 16 pcs.



SPARE PARTS / PLUG


137.097.1
 For more informations see page ***

a. 7542.716.5

size packaging category

- free-flow
- $\phi 63$ c.p. cover
- H. 40 c.p. waste
- H. 55 ABS counter nut with lateral outlet $1\frac{1}{4}$ "
- PP extension L. 200 \times $\phi 32$
- screw L. 35 and 60

$\phi 63 \times \phi 32$

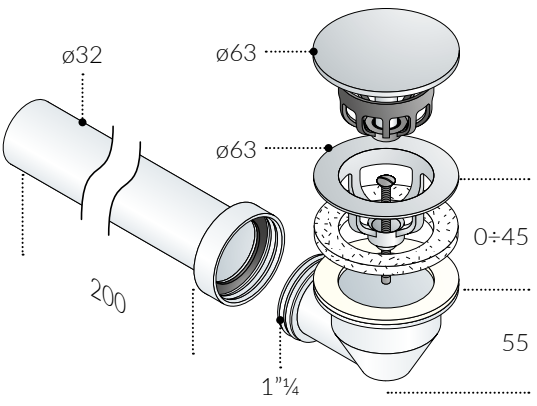
16 - B (box)

C04






39 l/min 16 pcs.



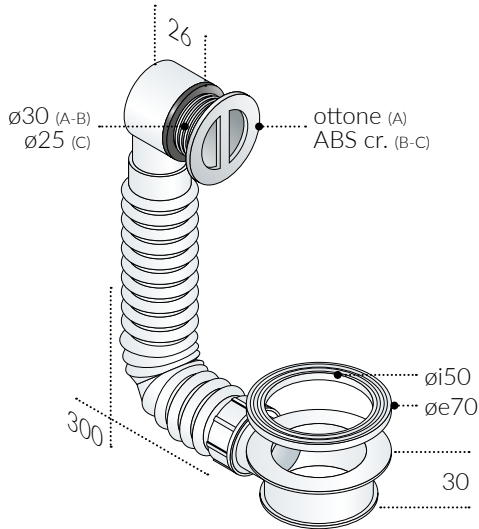
SPARE PARTS / cover


137.098.1
 For more informations see page ***

247

Ring

PP overflow set



a. 247.604.0

- chrome plated brass grid
- for $\phi 30$ holed
- for washbasin thickness $5 \div 20$
- max tube length L. 300
- with gasket

size

$\phi 30 \times \phi i 50$

packaging

15 - I (bag)

category

C10



15 l/min

15 pcs.



OTHER FINISHING AVAILABLE

matt black

247.604.0.X

matt white

247.604.0.XD

polished gold

247.604.0.3

brushed steel

247.604.0.Y2

brushed bronze

247.604.0.6

b. 247.304.0

- chrome plated ABS grid
- for $\phi 30$ holed
- for washbasin thickness $5 \div 20$
- max tube length L. 300
- with gasket

size

$\phi 30 \times \phi i 50$

packaging

15 - I (bag)

category

C10



15 l/min

15 pcs.



c. 247.354.0

- chrome plated ABS grid
- for $\phi 25$ holed
- for washbasin thickness $5 \div 20$
- max tube length L. 300
- with gasket

size

$\phi 25 \times \phi i 50$

packaging

15 - I (bag)

category

C10

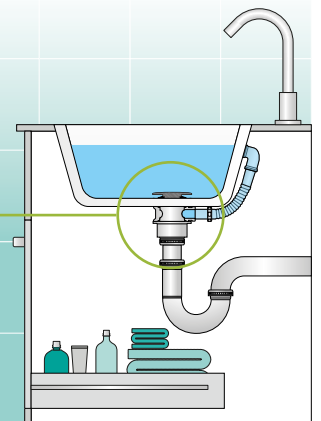
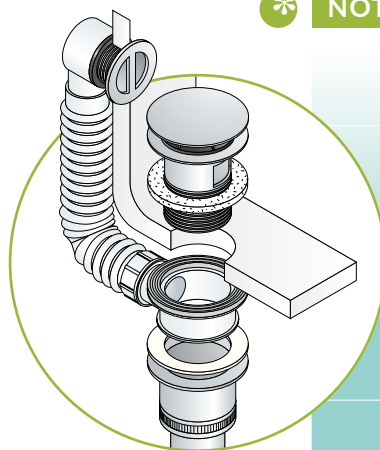


15 l/min

15 pcs.



* NOTES



a. 47.100.0

- c.p. brass connection ring for washbasin
- H. 25
- with gasket

size

$\phi 63 \times H. 25$

packaging

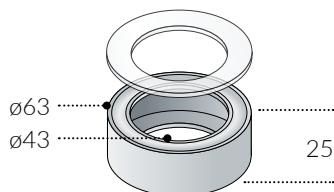
50 - P1 (bag)

category

C08



50 pcs.

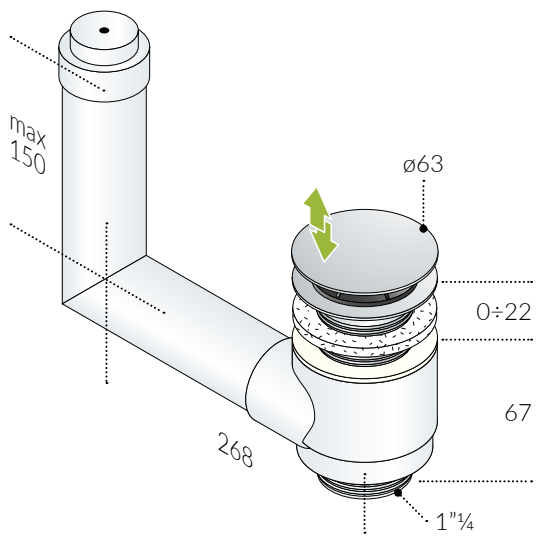




2930

Innova

ABS + brass automatic waste with integrated overflow



a. 2930.300.5	size	packaging	category
---------------	------	-----------	----------

- ABS bended pipe adjustable in height
- one way aerator valve
- $\phi 63$ c.p. brass plug
- H. 30 c.p. brass threaded shaft
- outlet $1\frac{1}{4}$

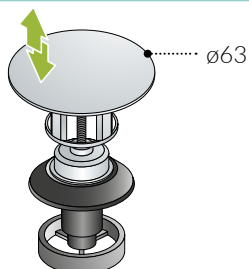
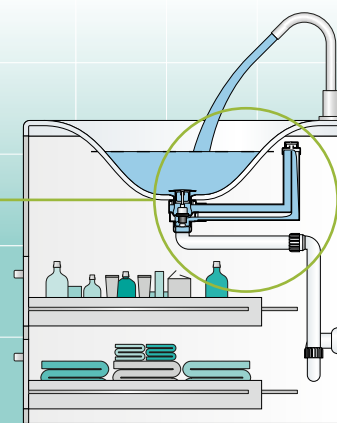
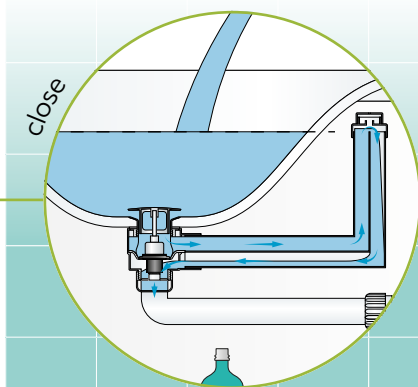
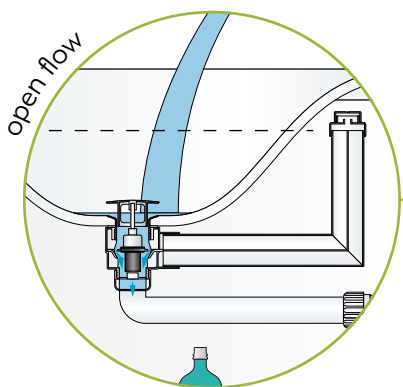
$\phi 63 \times 1\frac{1}{4}$

8 - B (box)

C05



* NOTES



a. 137.136.0	size	packaging	category
--------------	------	-----------	----------

- square plug
- only for art. 2930.300.5

$\phi 63$

10 - X (bag)

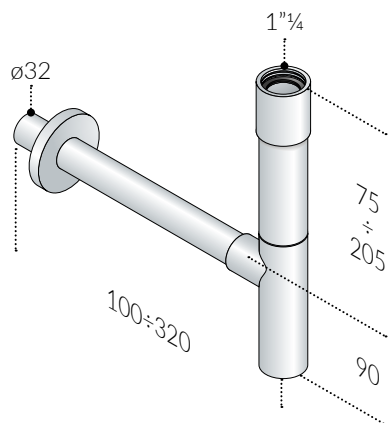
C08





700 Totem

chrome plated brass design trap



a. 700.135.5.K

- inlet H. 165 × 1"¼
- outlet L. 300 × $\phi 32$
- brass flange $\phi 80$

size

1"¼ × $\phi 32$

packaging

10 - O (box)

category

C12



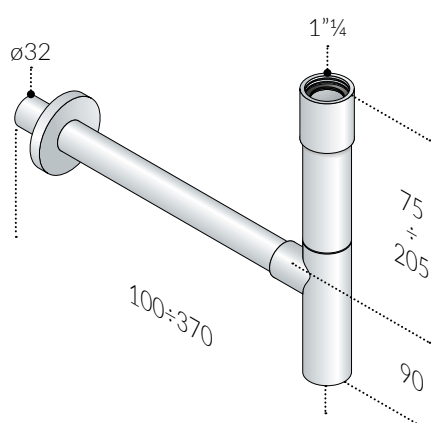
50 mm



43 l/min



10 pcs.



b. 700.165.5.K

- inlet H. 165 × 1"¼
- outlet L. 350 × $\phi 32$
- brass flange $\phi 80$

size

1"¼ × $\phi 32$

packaging

10 - O (box)

category

C12



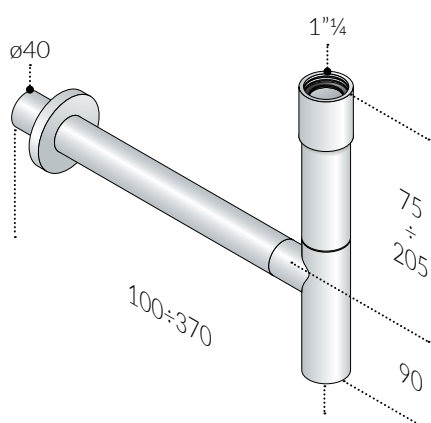
50 mm



43 l/min



10 pcs.



c. 700.165.6.K

- inlet H. 165 × 1"¼
- outlet L. 350 × $\phi 40$
- brass flange $\phi 80$

size

1"¼ × $\phi 40$

packaging

10 - O (box)

category

C12



50 mm



43 l/min



10 pcs.



ECOLOGICAL EFFICIENCY



Production process with lower environmental impact

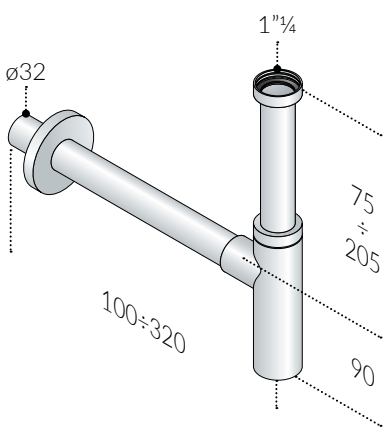
For more informations see page ***



710

Toti

chrome plated brass design trap



a. 710.135.5.K

- inlet H. 165 × 1"¼
- outlet L. 300 × ø32
- brass flange ø80

size

1"¼ × ø32

packaging

10 - O (box)

category

C12



50 mm



45 l/min



10 pcs.



OTHER FINISHING AVAILABLE

matt black

710.135.5.X

matt white

710.135.5.XD

polished gold

710.135.5.3

brushed steel

710.135.5.Y2

brushed bronze

710.135.5.6

b. 710.165.5.K

- inlet H. 165 × 1"¼
- outlet L. 350 × ø32
- brass flange ø80

size

1"¼ × ø32

packaging

10 - O (box)

category

C12



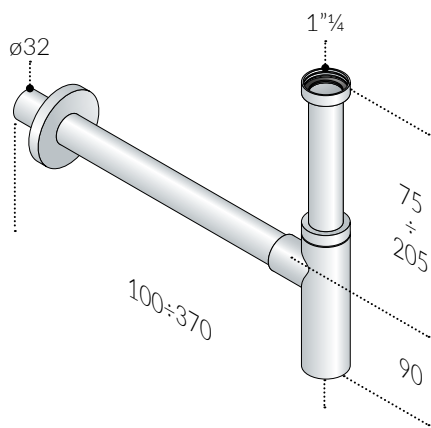
50 mm



45 l/min



10 pcs.



c. 710.165.6.K

- inlet H. 165 × 1"¼
- outlet L. 350 × ø40
- brass flange ø80

size

1"¼ × ø40

packaging

10 - O (box)

category

C12



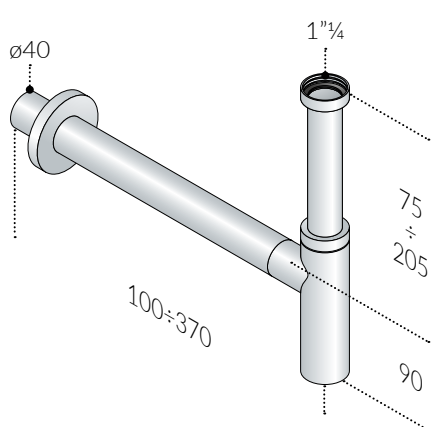
50 mm



45 l/min



10 pcs.



ECOLOGICAL EFFICIENCY



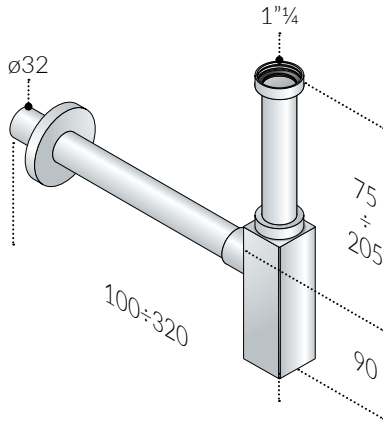
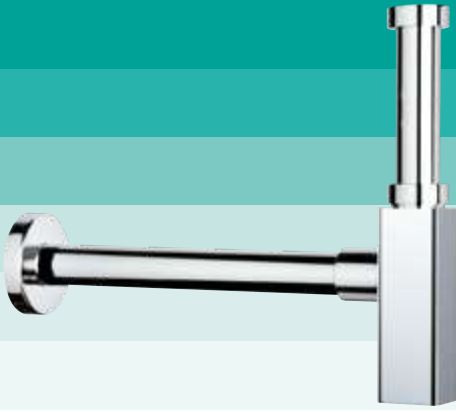
Production process with lower environmental impact

For more informations see page ***

810

Quasar

chrome plated brass design trap



a. 810.135.5.K

- inlet H. 165 × 1"¼
- outlet L. 300 × ø32
- brass flange ø80

size

1"¼ × ø32



50 mm



47 l/min



10 pcs.

packaging

10 - O (box)

category

C12



OTHER FINISHING AVAILABLE

matt black

810.135.5.X

matt white

810.135.5.XD

polished gold

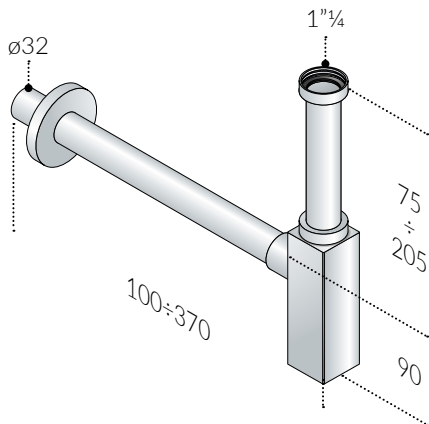
810.135.5.3

brushed steel

810.135.5.Y2

brushed bronze

810.135.5.6



b. 810.165.5.K

- inlet H. 165 × 1"¼
- outlet L. 350 × ø32
- brass flange ø80

size

1"¼ × ø32



50 mm



47 l/min



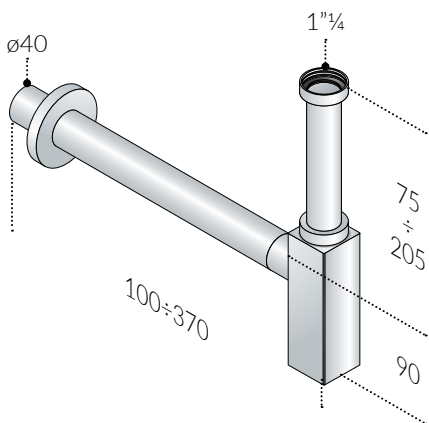
10 pcs.

packaging

10 - O (box)

category

C12



c. 810.165.6.K

- inlet H. 165 × 1"¼
- outlet L. 350 × ø40
- brass flange ø80

size

1"¼ × ø40



50 mm



47 l/min



10 pcs.

packaging

10 - O (box)

category

C12

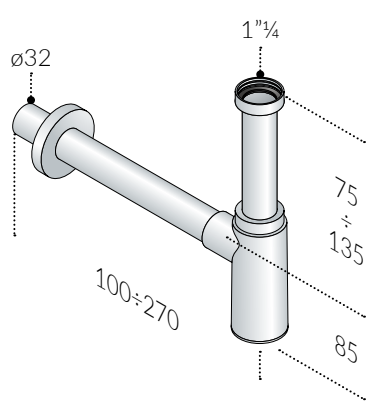
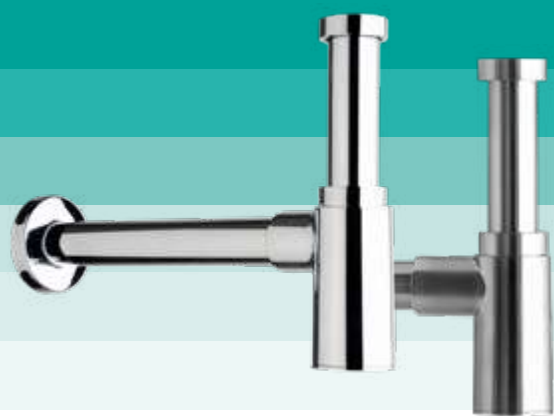




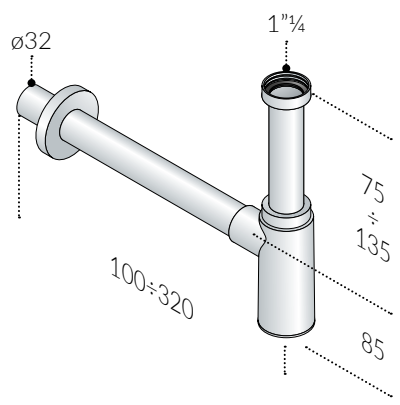
916 + 0916

Maomao + Maomao floor pipe

brass design traps



a. 916.324.5.K	size	packaging	category
<ul style="list-style-type: none"> - chrome plated - inlet H. 120 x 1 1/4 - outlet L. 250 x phi 32 - brass flange phi 70 	1 1/4 x phi 32	10 - T (box)	C12
	55 mm 44 l/min 10 pcs.		

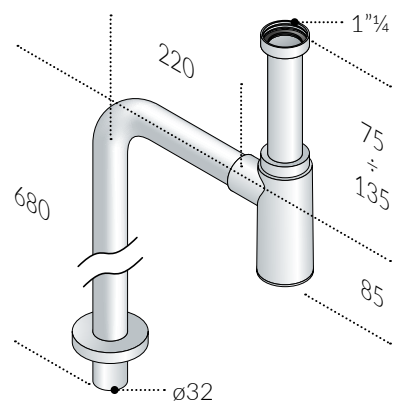


a. 916.334.5.K	size	packaging	category
<ul style="list-style-type: none"> - chrome plated - inlet H. 120 x 1 1/4 - outlet L. 300 x phi 32 - brass flange phi 70 	1 1/4 x phi 32	10 - O (box)	C12
	55 mm 44 l/min 10 pcs.		

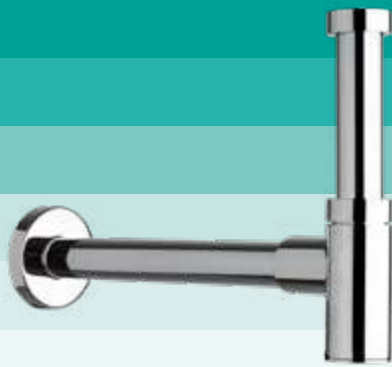
b. 916.334.5.X	size	packaging	category
<ul style="list-style-type: none"> - matt black finishing - inlet H. 120 x 1 1/4 - outlet L. 300 x phi 32 - brass flange phi 70 	1 1/4 x phi 32	10 - O (box)	C12
	55 mm 44 l/min 10 pcs.		

c. 916.334.5.XD	size	packaging	category
<ul style="list-style-type: none"> - matt white finishing - inlet H. 120 x 1 1/4 - outlet L. 300 x phi 32 - brass flange phi 70 	1 1/4 x phi 32	10 - O (box)	C12
	55 mm 44 l/min 10 pcs.		

d. 916.334.5.Y2	size	packaging	category
<ul style="list-style-type: none"> - brushed steel finishing - inlet H. 120 x 1 1/4 - outlet L. 300 x phi 32 - brass flange phi 70 	1 1/4 x phi 32	10 - O (box)	C12
	55 mm 44 l/min 10 pcs.		



a. 0916.415.5.K	size	packaging	category
<ul style="list-style-type: none"> - chrome plated - with floor pipe - inlet H. 120 x 1 1/4 - outlet 220x680 x phi 32 - brass flange phi 70 	1 1/4 x phi 32	20 - M (box)	C12
	55 mm 44 l/min 20 pcs.		



713

Toti bidet

chrome plated brass design trap

a. 713.135.5.K

- inlet H. 165 × 1"¼
- outlet L. 300 × ø32
- brass flange ø80

size

1"¼ × ø32

packaging

10 - O (box)

category

C12



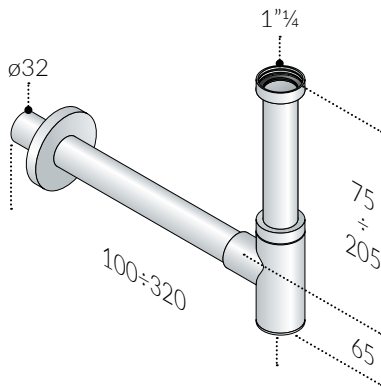
25 mm



46 l/min



10 pcs.



ECOLOGICAL EFFICIENCY

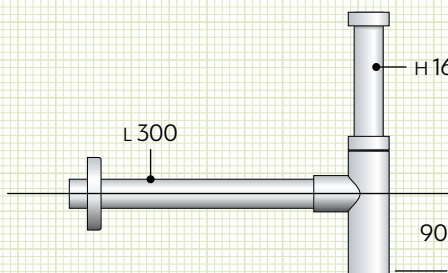


Production process with lower environmental impact

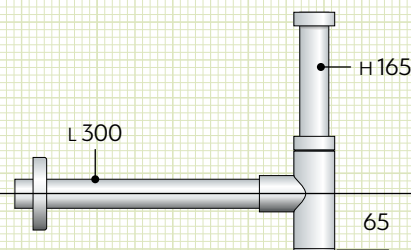
For more informations see page ***



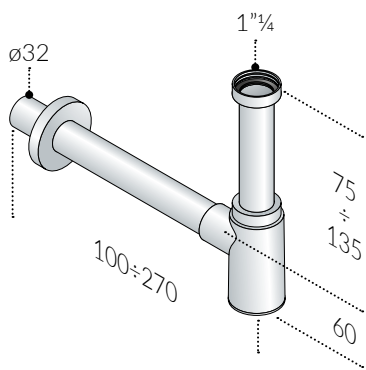
NOTES



710.135.5.K



713.135.5.K



a. 913.324.5.K

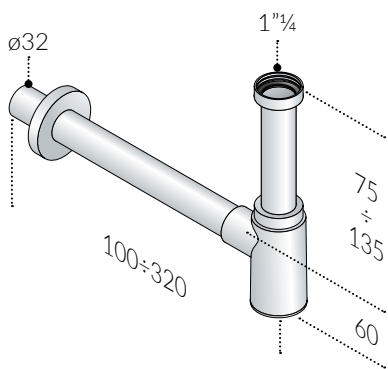
- chrome plated
- inlet H. 120 × 1 1/4
- outlet L. 250 × 32
- brass flange 70

size packaging category

1 1/4 × 32

10 - T (box)

C12



a. 913.334.5.K

- chrome plated
- inlet H. 120 × 1 1/4
- outlet L. 300 × 32
- brass flange 70

size packaging category

1 1/4 × 32

10 - O (box)

C12



b. 913.334.5.X

- matt black finishing
- inlet H. 120 × 1 1/4
- outlet L. 300 × 32
- brass flange 70

size packaging category

1 1/4 × 32

10 - O (box)

C12



c. 913.334.5.XD

- matt white finishing
- inlet H. 120 × 1 1/4
- outlet L. 300 × 32
- brass flange 70

size packaging category

1 1/4 × 32

10 - O (box)

C12



d. 913.334.5.Y2

- brushed steel finishing
- inlet H. 120 × 1 1/4
- outlet L. 300 × 32
- brass flange 70

size packaging category

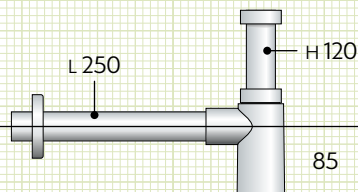
1 1/4 × 32

10 - O (box)

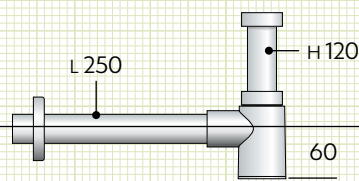
C12



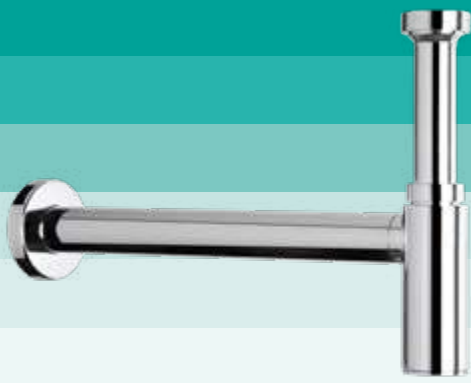
NOTES



916.324.5.K



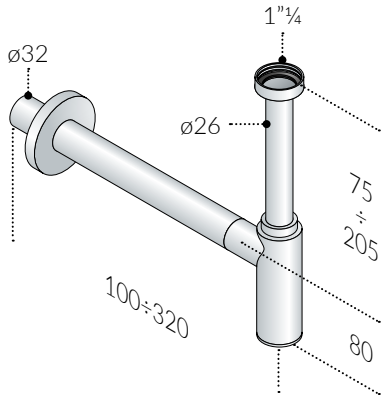
913.324.5.K



510

Toti mini

chrome plated brass design trap



a. 510.135.5.K

- inlet H. 165 × 1"¼ (ø26)
- outlet L. 300 × ø32
- brass flange ø70

size

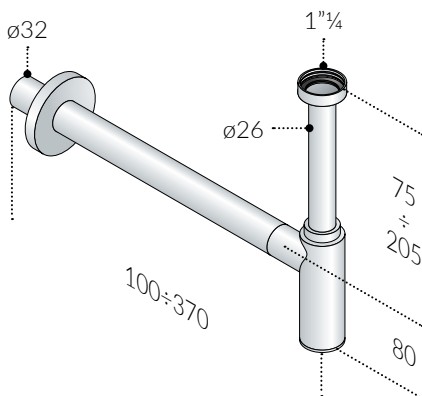
1"¼ × ø32

packaging

10 - O (box)

category

C12



b. 510.165.5.K

- inlet H. 165 × 1"¼ (ø26)
- outlet L. 350 × ø32
- brass flange ø70

size

1"¼ × ø32

packaging

10 - O (box)

category

C12



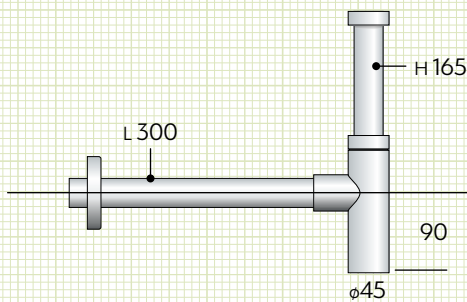
ECOLOGICAL EFFICIENCY



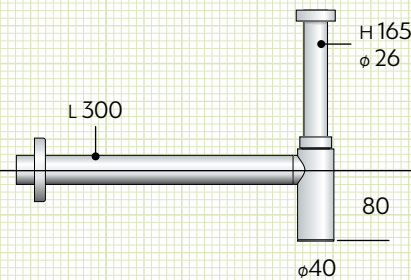
Production process with lower environmental impact

For more informations see page ***

* NOTES



710.135.5.K



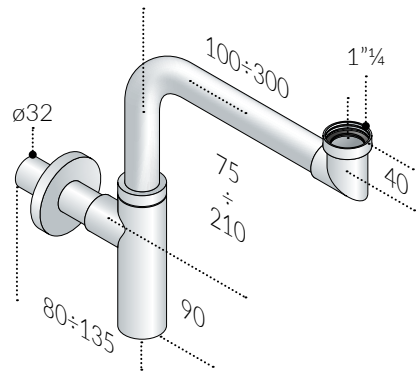
510.135.5.K



711 + 811 + 916

Toti, Quasar & Maomao exec

chrome plated brass space-saver design traps



a. 711.215.5.K

Toti exec

- inlet 285x165 x 1 1/4"
- outlet L. 100 x ø32
- brass flange ø80

size	packaging	category
1 1/4 x ø32	8 - B (box)	C12

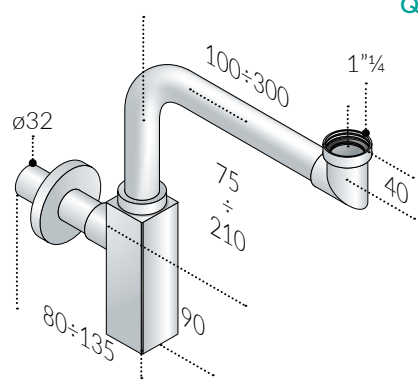
50 mm
 44 l/min

 8 pcs.



ECOLOGICAL EFFICIENCY

Production process with lower environmental impact
For more informations see page ***



a. 811.215.5.K

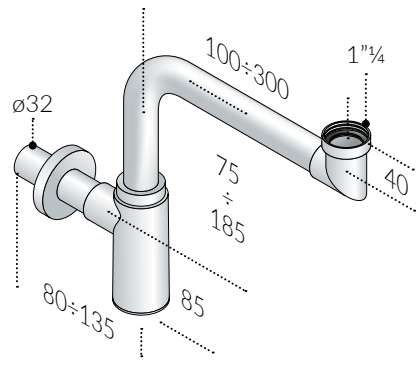
Quasar exec

- inlet 285x165 x 1 1/4"
- outlet L. 100 x ø32
- brass flange ø80

size	packaging	category
1 1/4 x ø32	8 - B (box)	C12

50 mm
 46 l/min

 8 pcs.



a. 916.215.5.K

Maomao exec

- inlet 285x165 x 1 1/4"
- outlet L. 100 x ø32
- brass flange ø70

size	packaging	category
1 1/4 x ø32	8 - B (box)	C12

55 mm
 43 l/min

 8 pcs.

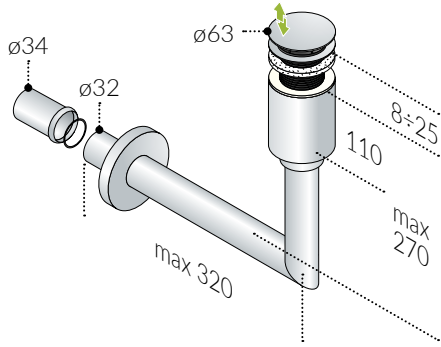




8810

Melting pot

chrome plated brass design trap with integrated automatic waste



a. 8810.105.5.K

- $\phi 63$ plug
- H. $35 \times 1\frac{1}{4}$ threaded shaft
- wall pipe 165×320
- outlet $\phi 32$ ($\phi 34$)
- brass flange $\phi 80$

size

$1\frac{1}{4} \times \phi 32$



packaging

4 - B (box)



category

C12



b. 8810.106.5.K

- $\phi 63$ plug
- H. $35 \times 1\frac{1}{4}$ threaded shaft
- floor pipe H. 700
- outlet $\phi 32$ ($\phi 34$)
- brass flange $\phi 80$

size

$1\frac{1}{4} \times \phi 32$



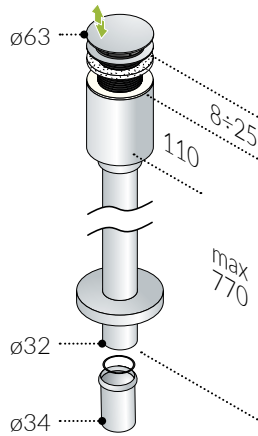
packaging

1 (box)

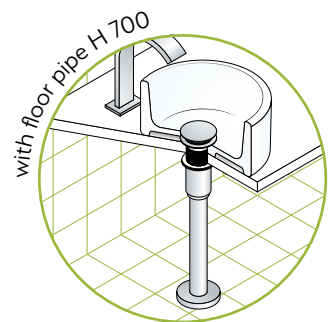
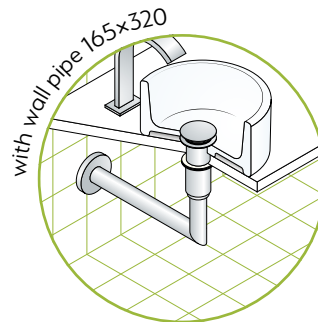
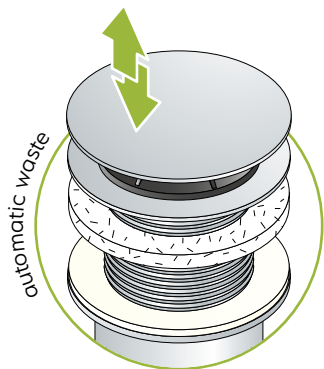


category

C12



* NOTES

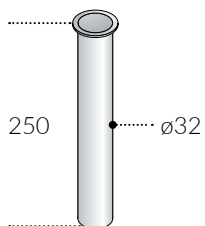




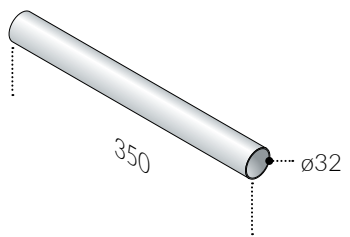
...

spare pipes

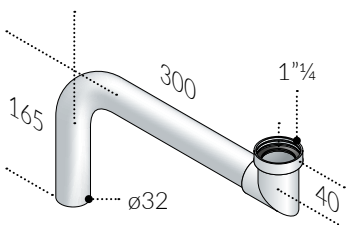
for traps



a.	9980.250.5.K	size	packaging	category	new
	- inlet pipe H.250 - chrome plated - 1 ¹ / ₄ × ø32	H.250 × 1 ¹ / ₄	10 (bag)	C08	
b.	9980.250.5.X	size	packaging	category	new
	- inlet pipe H.250 - matt balck finishing - 1 ¹ / ₄ × ø32	H.250 × 1 ¹ / ₄	10 (bag)	C08	
c.	9980.250.5.XD	size	packaging	category	new
	- inlet pipe H.250 - matt white finishing - 1 ¹ / ₄ × ø32	H.250 × 1 ¹ / ₄	10 (bag)	C08	
d.	9980.250.5.Y2	size	packaging	category	new
	- inlet pipe H.250 - brushed steel finishing - 1 ¹ / ₄ × ø32	H.250 × 1 ¹ / ₄	10 (bag)	C08	



a.	9978.350.5.K	size	packaging	category	new
	- outlet pipe L.350 - chrome plated - L.350 × ø32	L.350 × ø32	10 (bag)	C08	
b.	9978.350.5.X	size	packaging	category	new
	- outlet pipe L.350 - matt balck finishing - L.350 × ø32	L.350 × ø32	10 (bag)	C08	
c.	9978.350.5.XD	size	packaging	category	new
	- outlet pipe L.350 - matt white finishing - ø32	L.350 × ø32	10 (bag)	C08	
d.	9978.350.5.Y2	size	packaging	category	new
	- outlet pipe L.350 - brushed steel finishing - ø32	L.350 × ø32	10 (bag)	C08	



a.	7114.423.5.K	size	packaging	category	new
	- space-saver inlet pipe 285×165 - chrome plated - 1 ¹ / ₄ × ø32	1 ¹ / ₄ × ø32	10 (box)	C12	
b.	7114.423.5.XD	size	packaging	category	new
	- space-saver inlet pipe 285×165 - matt balck finishing - 1 ¹ / ₄ × ø32	1 ¹ / ₄ × ø32	10 (box)	C12	
c.	7114.423.5.XD	size	packaging	category	new
	- space-saver inlet pipe 285×165 - matt white finishing - 1 ¹ / ₄ × ø32	1 ¹ / ₄ × ø32	10 (box)	C12	
d.	7114.423.5.Y2	size	packaging	category	new
	- space-saver inlet pipe 285×165 - brushed steel finishing - 1 ¹ / ₄ × ø32	1 ¹ / ₄ × ø32	10 (box)	C12	

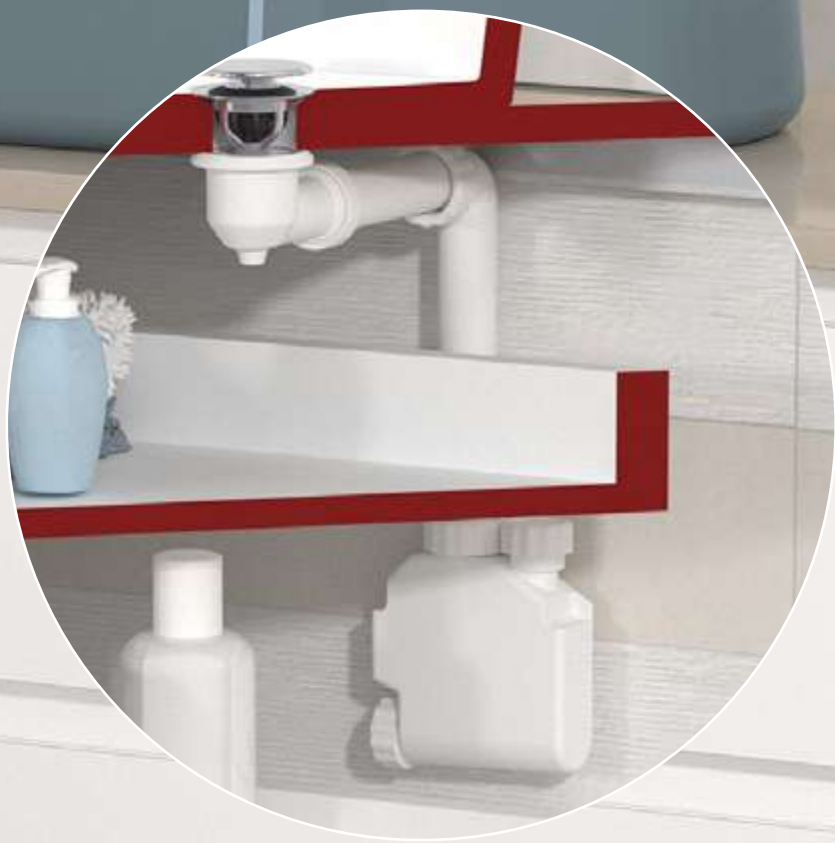


Washbasin e bidet

- Mini Clicker -
- Clicker ABS -
- Daisy -
- Saltarello -
- Universal wastes -
- Trotter -
- S-Pipe -
- Lux -
- S-Pipe + Lux bidet -
- Lux 50/95 + Lux 60/80 -
- S-Pipe + Lux floor pipe -
- S-Pipe + Lux drops convector pipe -
- reduced encumbrance traps -
- Europa series -
- Tea series -
- Robot series -
- Jolly + Jolly mini -
- Toti ABS -
- Maomao ABS new -
- Eurotrap + Lux ABS -
- other c.p. ABS traps -
- Toti + Maomao white ABS new -
- other white ABS traps -
- PP bottle traps -
- PP bottle traps for bidet -
- other PP bottle traps -
- PP tubular traps -
- Savoia -
- Mosquito -
- Chihuahua -
- Praktik bagno new -
- Chrono -
- Squid new -
- Squid + Tea new -
- PP space-saver traps -
- Mosquito 2 new -
- Squid 2 new -



for the sanitary ware image, special thanks to
technova

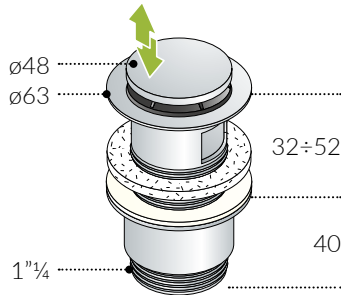


01



3530 Mini Clicker

chrome plated brass automatic waste



a. 3530.360.5

- ϕ 48 plug
- H. 60 threaded shaft
- H. 40 \times 1 1/4 counter nut
- slotted

size

ϕ 63 \times 1 1/4



45 l/min



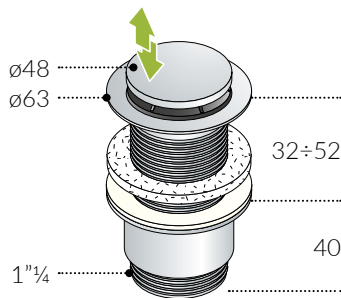
15 pcs.

packaging

15 - l (box)

category

C04



b. 3530.310.5

- ϕ 48 plug
- H. 60 threaded shaft
- H. 40 \times 1 1/4 counter nut
- unslotted

size

ϕ 63 \times 1 1/4



45 l/min



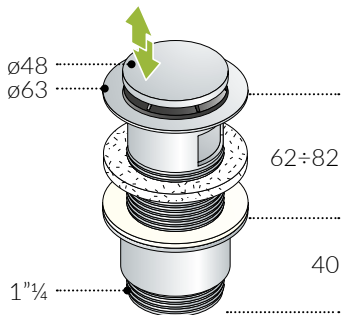
15 pcs.

packaging

15 - l (box)

category

C04



a. 3530.370.5

- ϕ 48 plug
- H. 90 threaded shaft
- H. 40 \times 1 1/4 counter nut
- slotted

size

ϕ 63 \times 1 1/4



45 l/min



15 pcs.

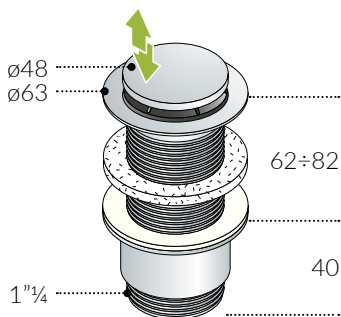


packaging

15 - l (box)

category

C04



b. 3530.320.5

- ϕ 48 plug
- H. 90 threaded shaft
- H. 40 \times 1 1/4 counter nut
- unslotted

size

ϕ 63 \times 1 1/4



45 l/min



15 pcs.



packaging

15 - l (box)

category

C04



SPARE PARTS / PLUG



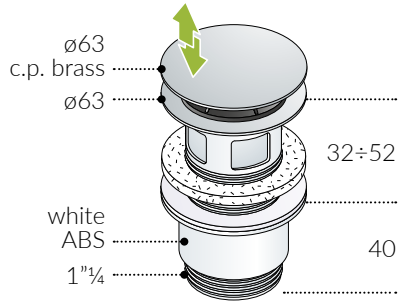
137.049.0

For more informations see page ***

4830 + 4230

Clicker ABS

ABS automatic wastes



a. 4830.360.5

- ø63 c.p. brass plug
- H. 60 ABS threaded shaft
- H. 40 × 1 1/4 ABS counter nut
- slotted

size	packaging	category
------	-----------	----------

ø63 × 1 1/4	15 - I (box)	C05
-------------	--------------	-----

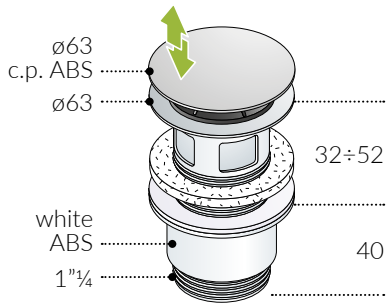


a. 4230.360.5

- ø63 c.p. ABS plug
- H. 60 ABS threaded shaft
- H. 40 × 1 1/4 ABS counter nut
- slotted

size	packaging	category
------	-----------	----------

ø63 × 1 1/4	15 - I (box)	C05
-------------	--------------	-----

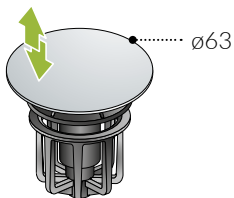


a. 8120.378.5

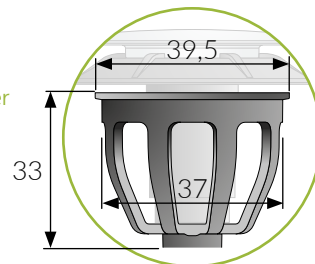
- chrome plated brass plug to replace the old simplex wastes
- ø63 c.p. brass plug
- hair-stop grid
- for 1 1/4 wastes

size	packaging	category
------	-----------	----------

ø63	10 - X (bag)	C08
-----	--------------	-----



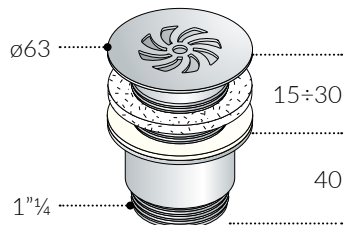
- check compatibility with other manufacturers' wastes





555 Daisy

chrome plated brass free-flow grated waste



a. 555.067.5

- ø63 grid
- H. 40 threaded shaft
- H. 40 × 1 1/4 counter nut
- unslotted

size

ø63 × 1 1/4

packaging

15 - I (box)

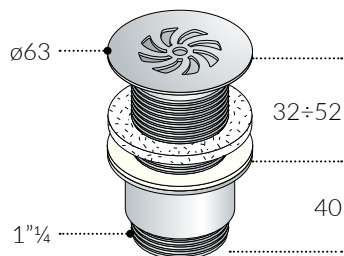
category

C04



43 l/min

15 pcs.



a. 555.060.5

- ø63 grid
- H. 60 threaded shaft
- H. 40 × 1 1/4 counter nut
- unslotted

size

ø63 × 1 1/4

packaging

15 - I (box)

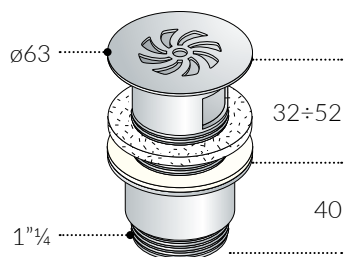
category

C04



43 l/min

15 pcs.



b. 555.160.5

- ø63 grid
- H. 60 threaded shaft
- H. 40 × 1 1/4 counter nut
- slotted

size

ø63 × 1 1/4

packaging

15 - I (box)

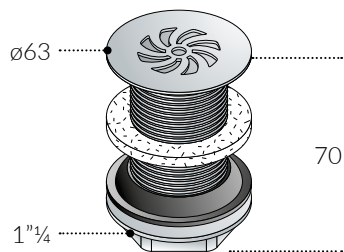
category

C04



43 l/min

15 pcs.



a. 555.061.5

- ø63 grid
- H. 60 × 1 1/4 threaded shaft
- H. 8 counter nut
- unslotted

size

ø63 × 1 1/4

packaging

15 - I (box)

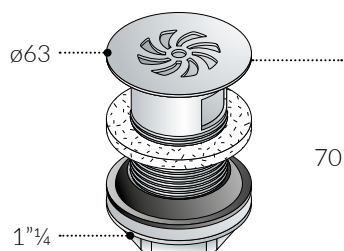
category

C04



43 l/min

15 pcs.



b. 555.161.5

- ø63 grid
- H. 60 × 1 1/4 threaded shaft
- H. 8 counter nut
- slotted

size

ø63 × 1 1/4

packaging

15 - I (box)

category

C04



43 l/min

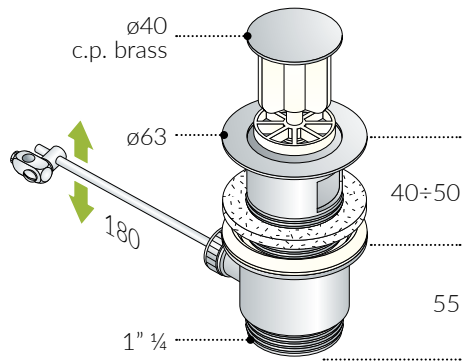
15 pcs.



529 + 2529

Saltarello

pop-up wastes



a. 529.160.5

- c.p. brass pop-up waste
- $\phi 40$ c.p. brass plug
- H. 60 threaded shaft
- H. $55 \times 1\frac{1}{4}$ counter nut
- without manual
- L. 180 s/steel rod

size

$\phi 63 \times 1\frac{1}{4}$

packaging

15 - T (box)

category

C04



50+ l/min



15 pcs.

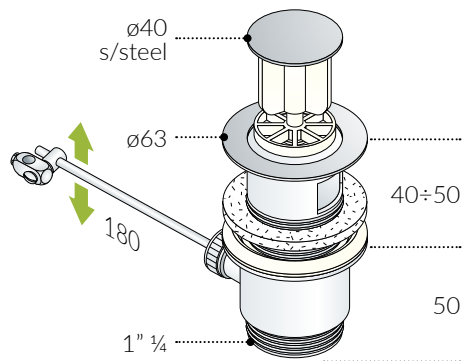


SPARE PARTS / PLUG



120.360.5

For more informations see page ***



a. 2529.000.5

- PP pop-up waste
- $\phi 40$ s/steel plug
- H. 60 threaded shaft
- H. $50 \times 1\frac{1}{4}$ counter nut
- without manual
- L. 180 s/steel rod

size

$\phi 63 \times 1\frac{1}{4}$

packaging

60 - Q (bag)

category

C05



49 l/min



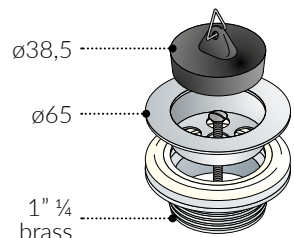
60 pcs.



34 + 55

Universal wastes

chrome plated brass universal wastes



a. 34.610.5

- plug with triangle
- s/steel plate $\phi 63$
- brass valve bottom $1\frac{1}{4}$
- screw L. 60

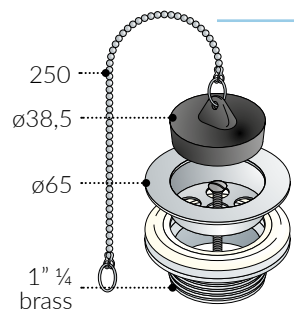
size packaging category

$\phi 65 \times 1\frac{1}{4}$ 10 - X (bag) C04



SPARE PARTS / PLUG

120.120.5
For more informations see page ***



b. 34.620.5

- plug with ball-chain and ring
- s/steel plate $\phi 63$
- brass valve bottom $1\frac{1}{4}$
- screw L. 60

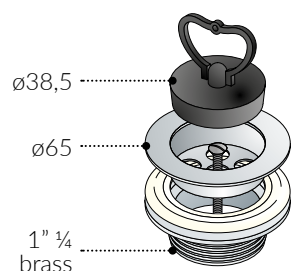
size packaging category

$\phi 65 \times 1\frac{1}{4}$ 10 - X (bag) C04



SPARE PARTS / PLUG

120.111.5
For more informations see page ***



c. 34.630.5

- plug with handle
- s/steel plate $\phi 63$
- brass valve bottom $1\frac{1}{4}$
- screw L. 60

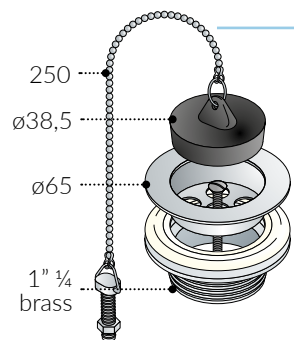
size packaging category

$\phi 65 \times 1\frac{1}{4}$ 10 - X (bag) C04



SPARE PARTS / PLUG

120.170.5
For more informations see page ***

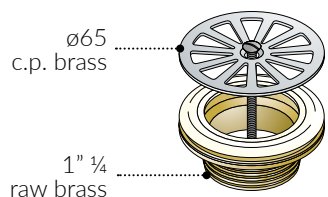


d. 34.640.5

- plug with ball-chain and stay
- s/steel plate $\phi 63$
- brass valve bottom $1\frac{1}{4}$
- screw L. 60

size packaging category

$\phi 65 \times 1\frac{1}{4}$ 10 - X (bag) C04

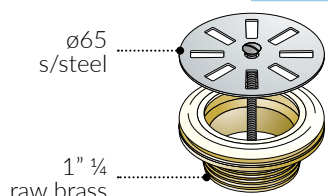


a. 55.160.5

- c.p. brass plate $\phi 65$
- raw brass valve bottom $1\frac{1}{4}$
- screw L. 60

size packaging category

$\phi 65 \times 1\frac{1}{4}$ 10 - X (bag) C04



b. 55.660.5

- s/steel plate $\phi 65$
- raw brass valve bottom $1\frac{1}{4}$
- screw L. 60

size packaging category

$\phi 65 \times 1\frac{1}{4}$ 10 - X (bag) C04



**a. 234.610.5**

- plug with triangle
- s/steel plate $\phi 63$
- PP valve bottom $1\frac{1}{4}$
- screw L. 60

size

 $\phi 65 \times 1\frac{1}{4}$

packaging

10 - X (bag)

category

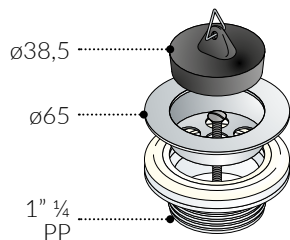
C05



36 l/min



10 pcs.



SPARE PARTS / PLUG



120.120.5

For more informations see page ***

b. 234.620.5

- plug with ball-chain and ring
- s/steel plate $\phi 63$
- PP valve bottom $1\frac{1}{4}$
- screw L. 60

size

 $\phi 65 \times 1\frac{1}{4}$

packaging

10 - X (bag)

category

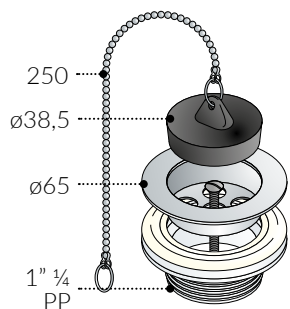
C05



36 l/min



10 pcs.



SPARE PARTS / PLUG



120.111.5

For more informations see page ***

c. 234.630.5

- plug with handle
- s/steel plate $\phi 63$
- PP valve bottom $1\frac{1}{4}$
- screw L. 60

size

 $\phi 65 \times 1\frac{1}{4}$

packaging

10 - X (bag)

category

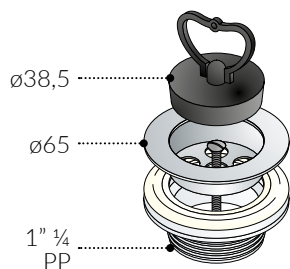
C05



36 l/min



10 pcs.



SPARE PARTS / PLUG



120.170.5

For more informations see page ***

d. 234.640.5

- plug with ball-chain and stay
- s/steel plate $\phi 63$
- PP valve bottom $1\frac{1}{4}$
- screw L. 60

size

 $\phi 65 \times 1\frac{1}{4}$

packaging

10 - X (bag)

category

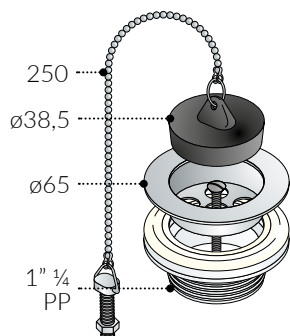
C05



36 l/min

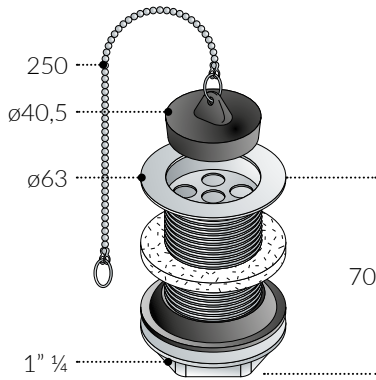


10 pcs.



Other wastes

chrome plated brass wastes



a. 29.020.5

- plug with ball-chain and ring
- $\phi 63$ grid
- H. $70 \times 1\frac{1}{4}$ threaded shaft
- H. 8 counter nut
- unslotted

size

 $\phi 63 \times 1\frac{1}{4}$

packaging

15 - I (box)

category

C04



41 l/min

15 pcs.

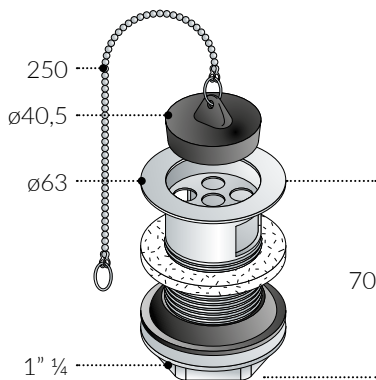


SPARE PARTS / PLUG



120.811.5

For more informations see page ***



a. 29.120.5

- plug with ball-chain and ring
- $\phi 63$ grid
- H. $70 \times 1\frac{1}{4}$ threaded shaft
- H. 8 counter nut
- slotted

size

 $\phi 63 \times 1\frac{1}{4}$

packaging

15 - I (box)

category

C04



41 l/min

15 pcs.

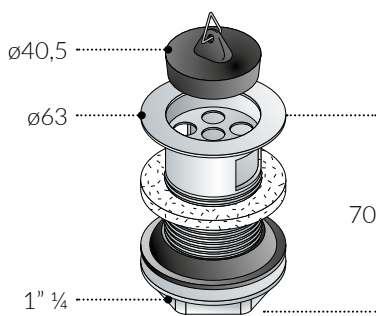


SPARE PARTS / PLUG



120.811.5

For more informations see page ***



b. 29.110.5

- plug with triangle
- $\phi 63$ grid
- H. $70 \times 1\frac{1}{4}$ threaded shaft
- H. 8 counter nut
- slotted

size

 $\phi 63 \times 1\frac{1}{4}$

packaging

15 - I (box)

category

C04



41 l/min

15 pcs.

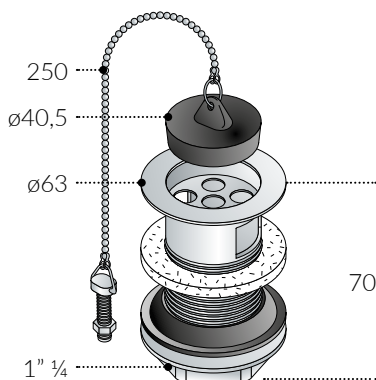


SPARE PARTS / PLUG



120.820.5

For more informations see page ***



c. 29.140.5

- plug with ball-chain and stay
- $\phi 63$ grid
- H. $70 \times 1\frac{1}{4}$ threaded shaft
- H. 8 counter nut
- slotted

size

 $\phi 63 \times 1\frac{1}{4}$

packaging

15 - I (box)

category

C04



41 l/min

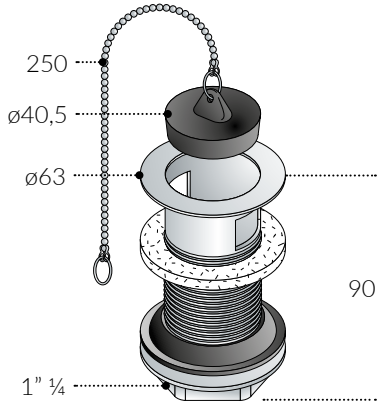
15 pcs.



30 + 830

Other wastes + Trotter

chrome plated brass wastes



- a. 30.120.5**
- plug with ball-chain and ring
 - $\phi 63$ grid
 - H. 90 x 1" 1/4 threaded shaft
 - H. 8 counter nut
 - slotted

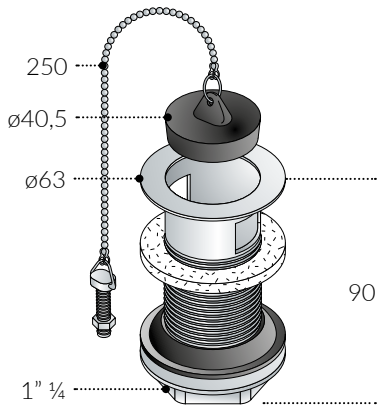
size packaging category

$\phi 63 \times 1" \frac{1}{4}$ 15 - I (box) C04



SPARE PARTS / PLUG

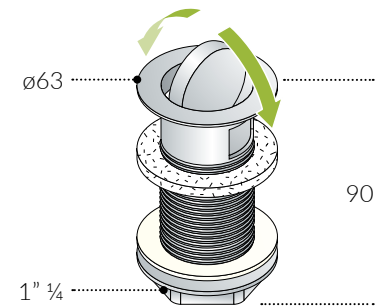
120.811.5
For more informations see page ***



- b. 30.140.5**
- plug with ball-chain and stay
 - $\phi 63$ grid
 - H. 90 x 1" 1/4 threaded shaft
 - H. 8 counter nut
 - slotted

size packaging category

$\phi 63 \times 1" \frac{1}{4}$ 15 - I (box) C04



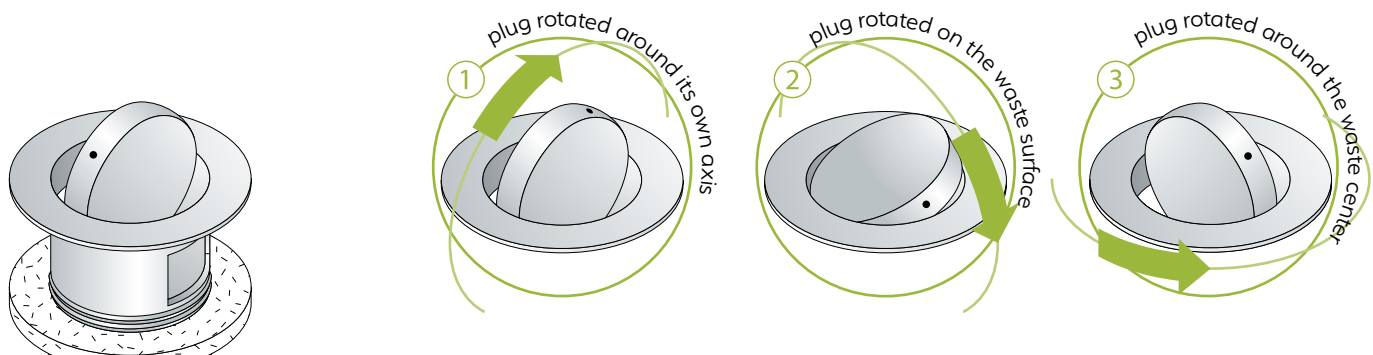
- a. 830.180.5**
Trotter
- with rotating anti-theft plug
 - H. 90 x 1" 1/4 threaded shaft
 - H. 8 counter nut
 - slotted

size packaging category

$\phi 63 \times 1" \frac{1}{4}$ 15 - I (box) C04



*** NOTES**

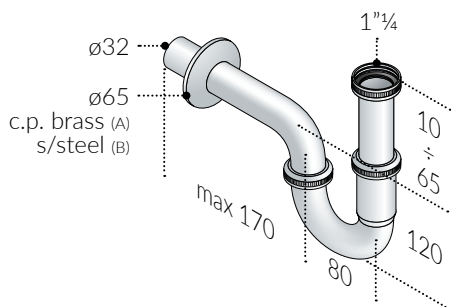




26 + 25

S-Pipe

chrome plated brass tubular trap



a. 26.715.5

- inlet H. 75 × 1"¼
- outlet L. 170 × ø32
- c.p. brass flange ø65

size

1"¼ × ø32

packaging

30 - B (box)

category

C02



60 mm



63 l/min



30 pcs.



b. 26.711.5

- inlet H. 75 × 1"¼
- outlet L. 170 × ø32
- s/steel flange ø65

size

1"¼ × ø32

packaging

30 - B (box)

category

C02



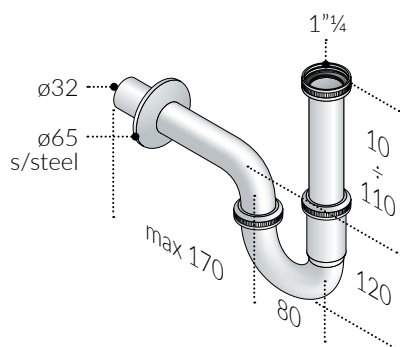
60 mm



63 l/min



30 pcs.



a. 26.911.5

- inlet H. 120 × 1"¼
- outlet L. 170 × ø32
- s/steel flange ø65

size

1"¼ × ø32

packaging

30 - C (box)

category

C02



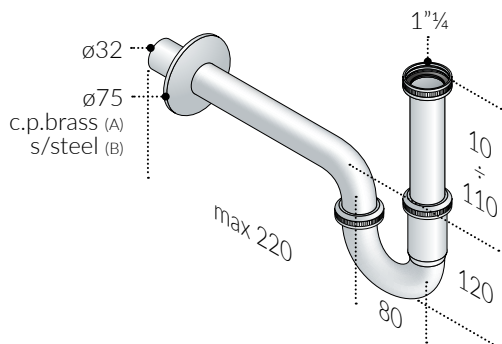
60 mm



63 l/min



30 pcs.



a. 26.926.5

- inlet H. 120 × 1"¼
- outlet L. 220 × ø32
- c.p. brass flange ø75

size

1"¼ × ø32

packaging

30 - C (box)

category

C02



60 mm



63 l/min



30 pcs.



b. 26.922.5

- inlet H. 120 × 1"¼
- outlet L. 220 × ø32
- s/steel flange ø75

size

1"¼ × ø32

packaging

30 - C (box)

category

C02



60 mm



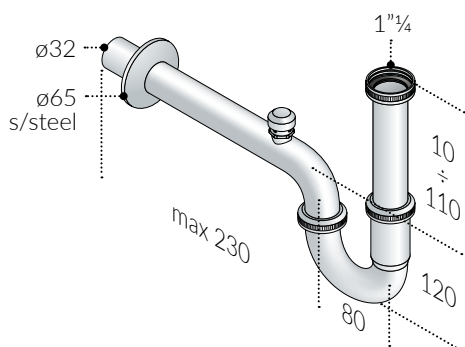
63 l/min



30 pcs.



new



a. 26.952.5

- inlet H. 120 × 1"¼
- outlet L. 230 × ø32 with aerator
- s/steel flange ø65

size

1"¼ × ø32

packaging

30 - C (box)

category

C02



60 mm



63 l/min



30 pcs.

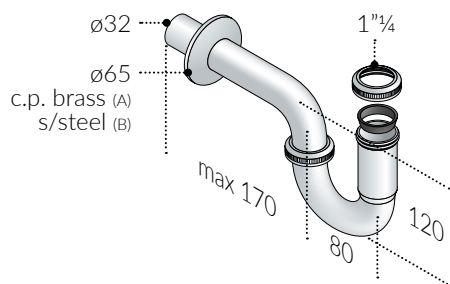


ECOLOGICAL EFFICIENCY



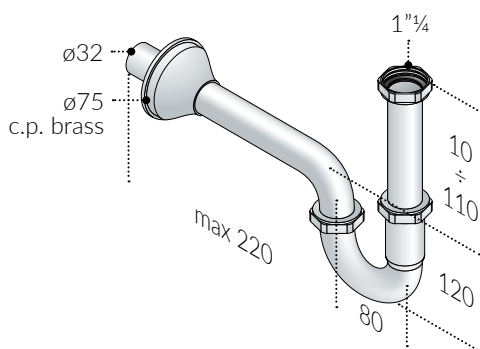
Production process with lower environmental impact

For more informations see page ***



a. 26.515.5	size	packaging	category
<ul style="list-style-type: none"> - without inlet pipe - inlet 1 1/4 - outlet L. 170 x 32 - c.p. brass flange 65 	1 1/4 x 32	30 - B (box)	C02
	60 mm	30 pcs.	

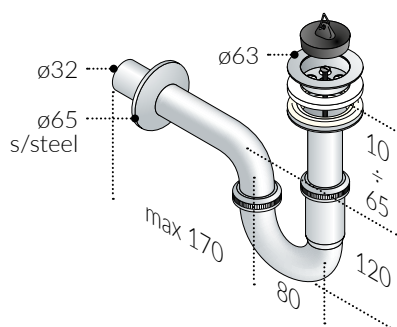
b. 26.511.5	size	packaging	category
<ul style="list-style-type: none"> - without inlet pipe - inlet 1 1/4 - outlet L. 170 x 32 - s/steel flange 65 	1 1/4 x 32	30 - B (box)	C02
	60 mm	30 pcs.	



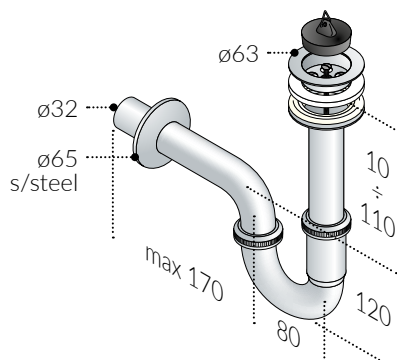
a. 26.423.5	size	packaging	category
<ul style="list-style-type: none"> - inlet H. 120 x 1 1/4 - outlet L. 220 x 32 - c.p. brass flange 75 - with brass hexagonal nuts 	1 1/4 x 32	30 - C (box)	C02
	60 mm	63 l/min 30 pcs.	

OTHER FINISHING AVAILABLE

matt black 26.423.5.X	matt white 26.423.5.XD	polished gold 26.423.5.3	brushed steel 26.423.5.Y2	brushed bronze 26.423.5.6
---------------------------------	----------------------------------	------------------------------------	-------------------------------------	-------------------------------------



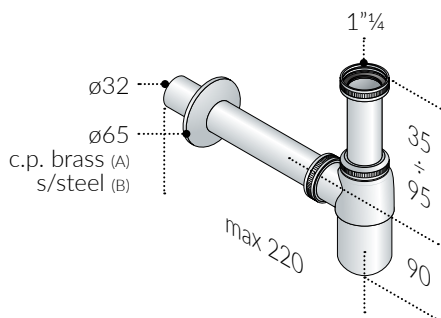
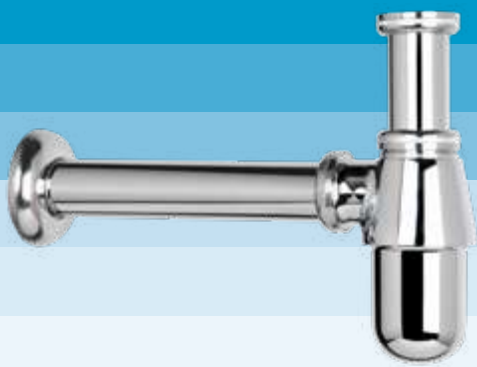
a. 25.711.5	size	packaging	category
<ul style="list-style-type: none"> - with universal waste 63 plug with triangle - inlet H. 75 - outlet L. 170 x 32 - s/steel flange 65 	1 1/4 x 32	30 - C (box)	C02
	60 mm	30 l/min 30 pcs.	



b. 25.911.5	size	packaging	category
<ul style="list-style-type: none"> - with universal waste 63 plug with triangle - inlet H. 120 - outlet L. 170 x 32 - s/steel flange 65 	63 x 32	30 - C (box)	C02
	60 mm	30 l/min 30 pcs.	

19 Lux

chrome plated brass bottle trap



a. 19.215.5

- inlet H. 75 × 1"¼
- outlet L. 190 × ø32
- c.p. brass flange ø65

size

1"¼ × ø32

packaging

30 - B (box)

category

C01



50 mm



46 l/min



30 pcs.



b. 19.211.5

- inlet H. 75 × 1"¼
- outlet L. 190 × ø32
- s/steel flange ø65

size

1"¼ × ø32

packaging

30 - B (box)

category

C01



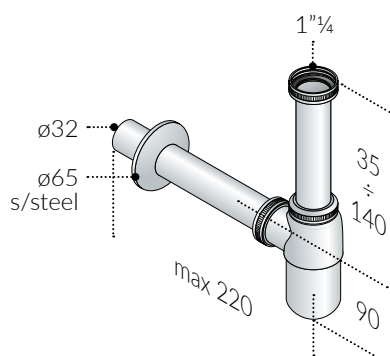
50 mm



46 l/min



30 pcs.



a. 19.411.5

- inlet H. 120 × 1"¼
- outlet L. 190 × ø32
- s/steel flange ø65

size

1"¼ × ø32

packaging

30 - B (box)

category

C01



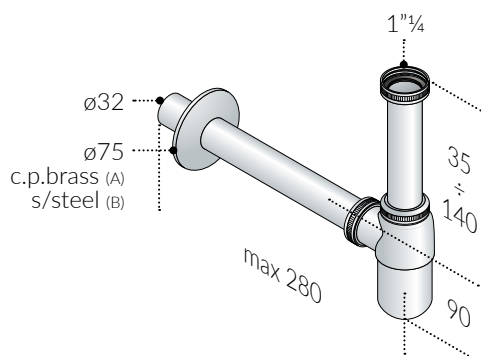
50 mm



46 l/min



30 pcs.



a. 19.426.5

- inlet H. 120 × 1"¼
- outlet L. 250 × ø32
- c.p. brass flange ø75

size

1"¼ × ø32

packaging

30 - C (box)

category

C01



50 mm



46 l/min



30 pcs.



b. 19.422.5

- inlet H. 120 × 1"¼
- outlet L. 250 × ø32
- s/steel flange ø75

size

1"¼ × ø32

packaging

30 - C (box)

category

C01



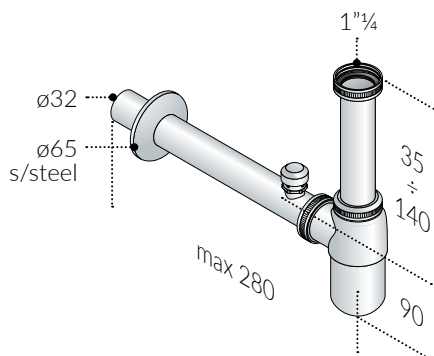
50 mm



46 l/min



30 pcs.



a. 19.452.5

- inlet H. 120 × 1"¼
- outlet L. 250 × ø32 with aerator
- s/steel flange ø65

size

1"¼ × ø32

packaging

30 - C (box)

category

C01



50 mm

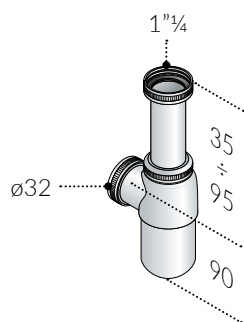


46 l/min



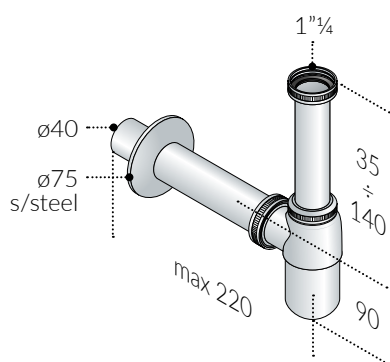
30 pcs.





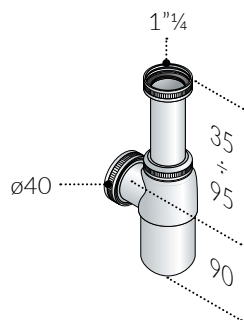
a. 19.200.5	size	packaging	category
<ul style="list-style-type: none"> - inlet H. 75 × 1 1/4 - without outlet pipe - outlet ø32 - without flange 	1 1/4 × ø32	30 - B (box)	C01
	50 mm 30 pcs.		

b. 19.200.5.1	size	packaging	category
<ul style="list-style-type: none"> - in raw nickel plated brass - inlet H. 75 × 1 1/4 - without outlet pipe - outlet ø32 - without flange 	1 1/4 × ø32	30 - B (box)	C01
	50 mm 30 pcs.		

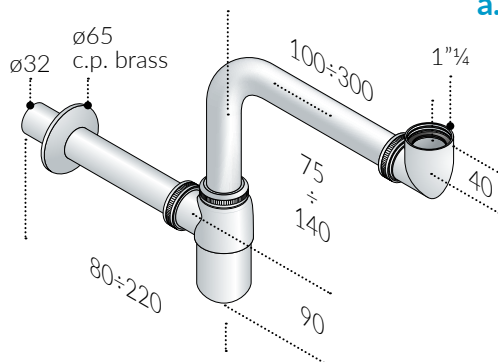


a. 19.912.6	size	packaging	category
<ul style="list-style-type: none"> - inlet H. 120 × 1 1/4 - outlet L. 190 × ø40 - s/steel flange ø75 	1 1/4 × ø40	30 - B (box)	C01
	50 mm 46 l/min 30 pcs.		

a. 19.700.6	size	packaging	category
<ul style="list-style-type: none"> - inlet H. 75 × 1 1/4 - without outlet pipe - outlet ø40 - without flange 	1 1/4 × ø40	30 - B (box)	C01
	50 mm 30 pcs.		



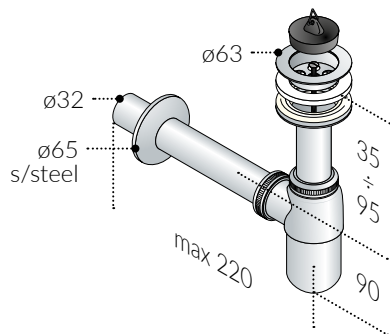
a. 911.611.5	size	packaging	category
<ul style="list-style-type: none"> - with space-saver inlet pipe - inlet 285×165 × 1 1/4 - outlet L. 190 × ø32 - brass flange ø65 	1 1/4 × ø32	8 - B (box)	C01
	50 mm 46 l/min 8 pcs.		





20 Lux

chrome plated brass bottle trap with universal waste

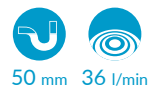


a. 20.711.5

- with universal waste $\varnothing 63$ plug with triangle
- inlet H. 75
- outlet L. 190 \times $\varnothing 32$
- s/steel flange $\varnothing 65$

size

$\varnothing 63 \times \varnothing 32$



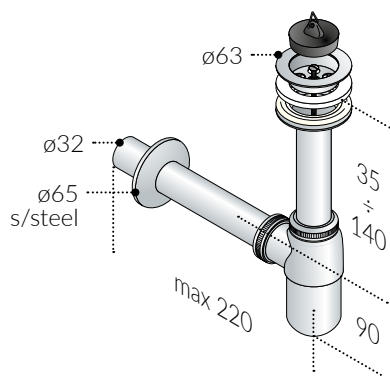
packaging

30 - B (box)



category

C01

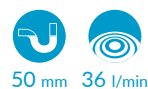


b. 20.911.5

- with universal waste $\varnothing 63$ plug with triangle
- inlet H. 120
- outlet L. 190 \times $\varnothing 32$
- s/steel flange $\varnothing 65$

size

$\varnothing 63 \times \varnothing 32$



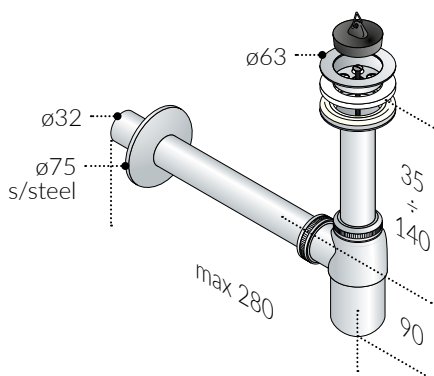
packaging

30 - B (box)



category

C01



c. 20.918.5

- with universal waste $\varnothing 63$ plug with triangle
- inlet H. 120
- outlet L. 250 \times $\varnothing 32$
- s/steel flange $\varnothing 75$

size

$\varnothing 63 \times \varnothing 32$



packaging

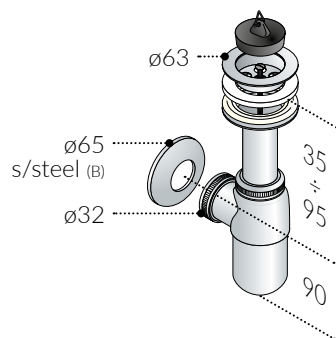
30 - C (box)









category

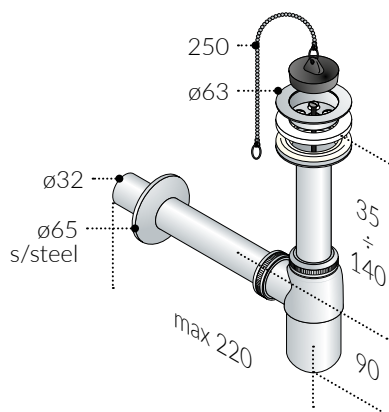
C01








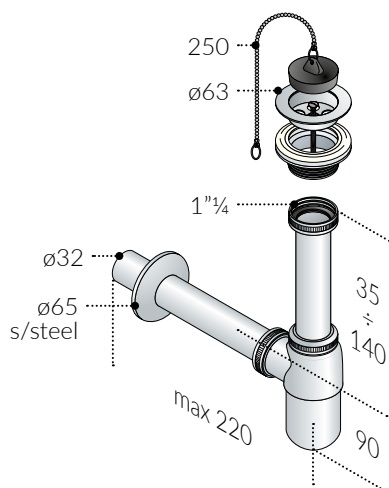





a. 20.710.5	size	packaging	category
<ul style="list-style-type: none"> - with universal waste $\phi 63$ plug with triangle - inlet H. 75 - without outlet pipe - outlet $\phi 32$ - without flange 	$\phi 63 \times \phi 32$	30 - B (box)	C01
	  50 mm 30 pcs.		

b. 20.714.5	size	packaging	category
<ul style="list-style-type: none"> - with universal waste $\phi 63$ plug with triangle - inlet H. 75 - without outlet pipe - outlet $\phi 32$ - s/steel flange $\phi 65$ 	$\phi 63 \times \phi 32$	30 - B (box)	C01
	  50 mm 30 pcs.		



a. 20.941.5	size	packaging	category
<ul style="list-style-type: none"> - with universal waste $\phi 63$ plug with ball-chain and ring - inlet H. 120 - outlet L. 190 \times $\phi 32$ - s/steel flange $\phi 65$ 	$\phi 63 \times \phi 32$	30 - B (box)	C01
	    50 mm 36 l/min 30 pcs.		

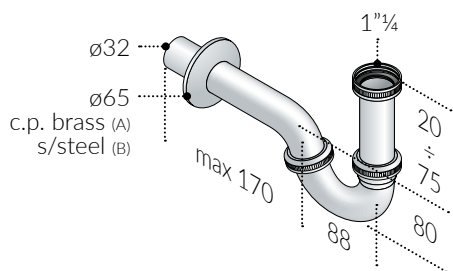


a. 20.421.5	size	packaging	category
<ul style="list-style-type: none"> - with universal waste $\phi 63$ plug with ball-chain and ring - inlet H. 120 \times 1" $\frac{1}{4}$ - outlet L. 190 \times $\phi 32$ - s/steel flange $\phi 65$ 	$\phi 63 \times \phi 32$	30 - C (box)	C01
	    50 mm 36 l/min 30 pcs.		

28 + 519

S-Pipe + Lux bidet

chrome plated brass traps for bidet

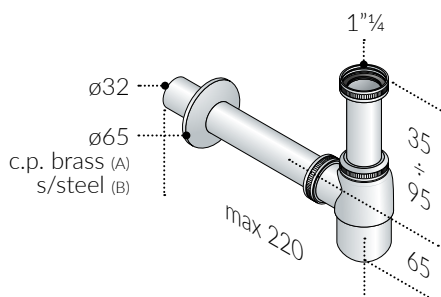


a.	28.715.5	size	packaging	category
	<ul style="list-style-type: none"> - inlet H. 75 × 1"¼ - outlet L. 170 × ø32 - c.p. brass flange ø65 	1"¼ × ø32	30 - B (box)	C02

b.	28.711.5	size	packaging	category
	<ul style="list-style-type: none"> - inlet H. 75 × 1"¼ - outlet L. 170 × ø32 - s/steel flange ø65 	1"¼ × ø32	30 - B (box)	C02

OTHER FINISHING AVAILABLE (with different features)

matt black 28.423.5.X	matt white 28.423.5.XD	polished gold 28.423.5.3	brushed steel 28.423.5.Y2	brushed bronze 28.423.5.6
---------------------------------	----------------------------------	------------------------------------	-------------------------------------	-------------------------------------

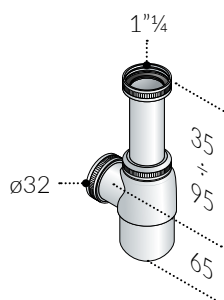


a.	519.215.5	size	packaging	category
	<ul style="list-style-type: none"> - inlet H. 75 × 1"¼ - outlet L. 190 × ø32 - c.p. brass flange ø65 	1"¼ × ø32	30 - B (box)	C01

b.	519.211.5	size	packaging	category
	<ul style="list-style-type: none"> - inlet H. 75 × 1"¼ - outlet L. 190 × ø32 - s/steel flange ø65 	1"¼ × ø32	30 - B (box)	C01

OTHER FINISHING AVAILABLE (with different features)

matt black 507.423.5.X	matt white 507.423.5.XD	polished gold 507.423.5.3	brushed steel 507.423.5.Y2	brushed bronze 507.423.5.6
----------------------------------	-----------------------------------	-------------------------------------	--------------------------------------	--------------------------------------



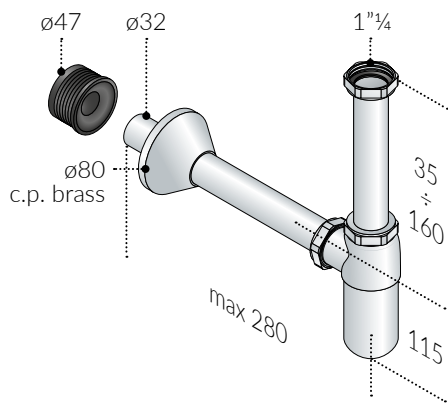
a.	519.200.5	size	packaging	category
	<ul style="list-style-type: none"> - inlet H. 75 × 1"¼ - without outlet pipe - outlet ø32 - without flange 	1"¼ × ø32	30 - B (box)	C01

b.	519.200.5.1	size	packaging	category
	<ul style="list-style-type: none"> - in raw nickel plated brass - inlet H. 75 × 1"¼ - without outlet pipe - outlet ø32 - without flange 	1"¼ × ø32	30 - B (box)	C01

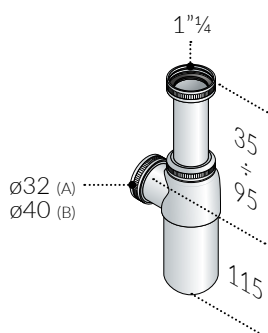
419 + 619

Lux 50/95 + Lux 60/80

chrome plated brass bottle traps with bigger cup

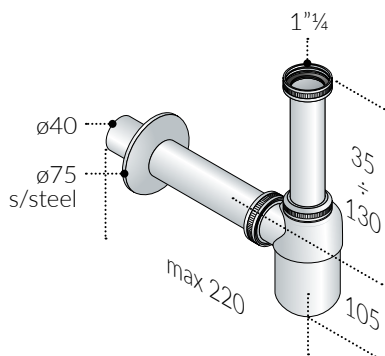


a. 419.129.5	size	packaging	category
<ul style="list-style-type: none"> - cup $\phi 50$ H. 95 with higher water seal - inlet H. 150 \times 1" $\frac{1}{4}$ - outlet L. 250 \times $\phi 32$ - c.p. brass flange $\phi 80$ - with wall connector - with brass hexagonal nuts 	1" $\frac{1}{4}$ \times $\phi 32$	30 - C (box)	C01
	75 mm 46 l/min 30 pcs.		



a. 419.200.5	size	packaging	category
<ul style="list-style-type: none"> - cup $\phi 50$ H. 95 with higher water seal - inlet H. 75 \times 1" $\frac{1}{4}$ - without outlet pipe - outlet $\phi 32$ - without flange 	1" $\frac{1}{4}$ \times $\phi 32$	30 - B (box)	C01
	75 mm 46 l/min 30 pcs.		

b. 419.700.6	size	packaging	category
<ul style="list-style-type: none"> - cup $\phi 50$ H. 95 with higher water seal - inlet H. 75 \times 1" $\frac{1}{4}$ - without outlet pipe - outlet $\phi 40$ - without flange 	1" $\frac{1}{4}$ \times $\phi 40$	30 - B (box)	C01
	75 mm 46 l/min 30 pcs.		



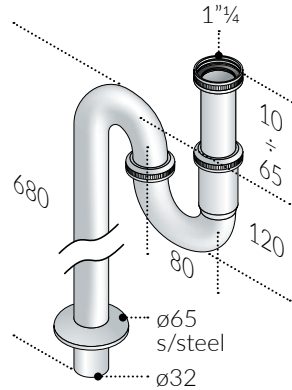
a. 619.912.6	size	packaging	category
<ul style="list-style-type: none"> - cup $\phi 60$ H. 85 with bigger water volume - inlet H. 120 \times 1" $\frac{1}{4}$ - outlet L. 190 \times $\phi 40$ - c.p. brass flange $\phi 80$ - s/steel flange $\phi 75$ 	1" $\frac{1}{4}$ \times $\phi 40$	30 - C (box)	C01
	50 mm 66 l/min 30 pcs.		



26 + 019 + 020

S-Pipe + Lux floor pipe

chrome plated brass traps with floor outlet pipe



a. 26.791.5

- with floor pipe
- inlet H. 75 × 1"¼
- outlet H. 680 × ø32
- s/steel flange ø65

size

1"¼ × ø32

packaging

20 - D (box)

category

C02



60 mm



63 l/min



20 pcs.



OTHER FINISHING AVAILABLE (with different features)

matt black

26.493.5.X

matt white

26.493.5.XD

polished gold

26.493.5.3

brushed steel

26.493.5.Y2

brushed bronze

26.493.5.6

a. 019.701.5

- with floor pipe
- inlet H. 75 × 1"¼
- outlet 150×610 × ø32
- s/steel flange ø65

size

1"¼ × ø32

packaging

20 - M (box)

category

C01



50 mm



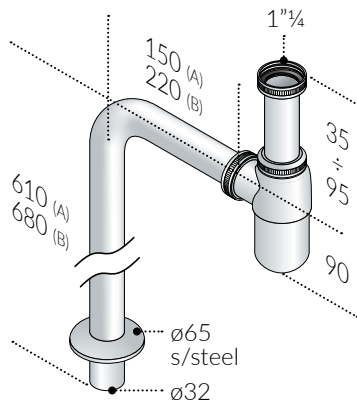
46 l/min



20 pcs.



new



b. 019.711.5

- with floor pipe
- inlet H. 75 × 1"¼
- outlet 220×680 × ø32
- s/steel flange ø65

size

1"¼ × ø32

packaging

20 - M (box)

category

C01



50 mm



46 l/min



20 pcs.



new



OTHER FINISHING AVAILABLE (with different features)

matt black

019.413.5.X

matt white

019.413.5.XD

polished gold

019.413.5.3

brushed steel

019.413.5.Y2

brushed bronze

019.413.5.6

a. 020.701.5

- with floor pipe
- with universal waste ø63
- plug with triangle
- inlet H. 75
- outlet 150×610 × ø32
- s/steel flange ø65

size

ø63 × ø32

packaging

20 - M (box)

category

C01



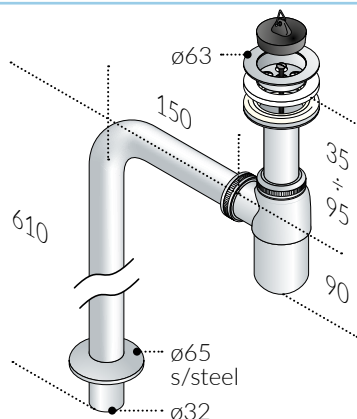
50 mm



36 l/min



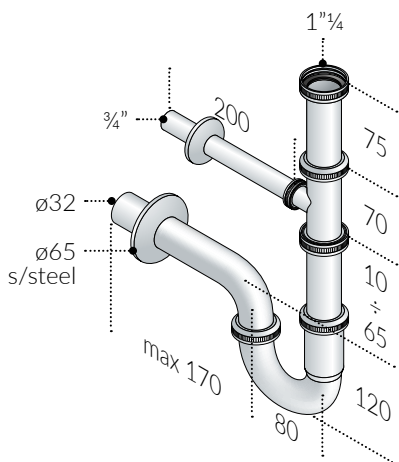
20 pcs.



9926 + 9919

S-Pipe + Lux drops convector pipe

chrome plated brass traps
with drops convector inlet pipe



a. 9926.711.5

- with drops convector pipe
- inlet H. 220 × 1"¼
- outlet L. 170 × ø32
- s/steel flange ø65

size

1"¼ × ø32

packaging

10 - W (box)

category

C02



60 mm



63 l/min



10 pcs.



a. 9919.215.5

- with drops convector pipe
- inlet H. 220 × 1"¼
- outlet L. 190 × ø32
- s/steel flange ø65

size

1"¼ × ø32

packaging

10 - W (box)

category

C01



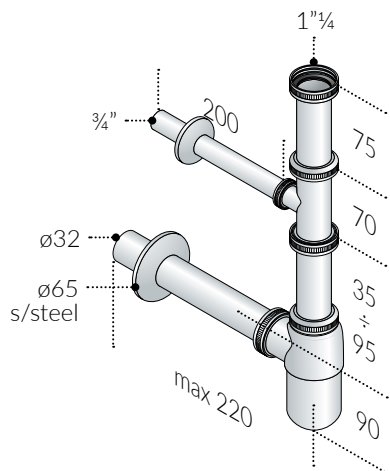
50 mm



46 l/min



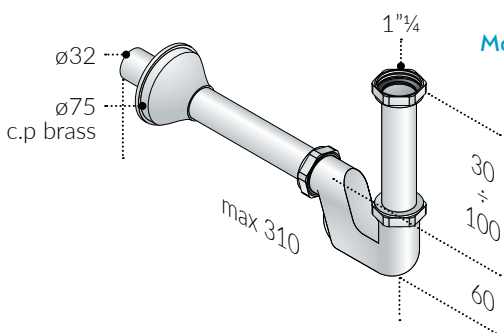
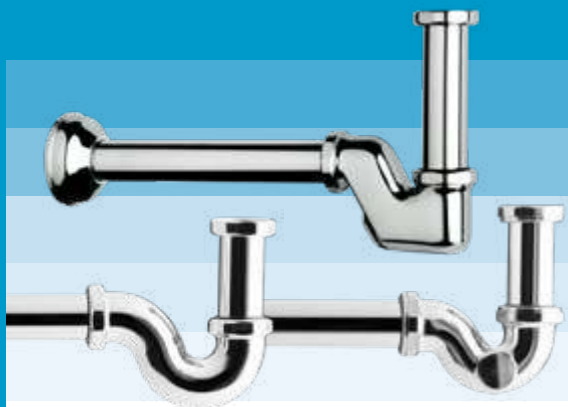
10 pcs.



522 + 128 + 390 + 90

Reduced encumbrance traps

chrome plated brass traps with reduced encumbrance



a. 522.423.5

Major

- inlet H. 120 × 1"¼
- outlet L. 250 × ø32
- c.p. brass flange ø75
- with brass hexagonal nuts

size

1"¼ × ø32

packaging

30 - C (box)

category

C01



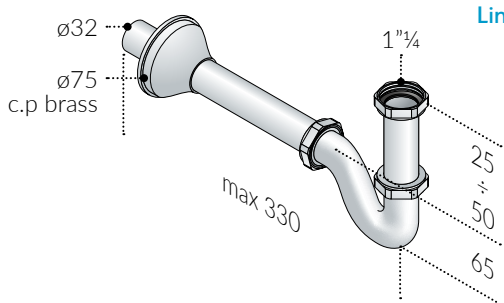
25 mm



57 l/min



30 pcs.



a. 128.223.5

Linear

- inlet H. 75 × 1"¼
- outlet L. 250 × ø32
- c.p. brass flange ø75
- with brass hexagonal nuts

size

1"¼ × ø32

packaging

30 - C (box)

category

C01



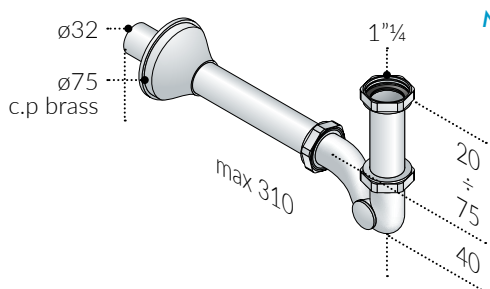
25 mm



59 l/min



30 pcs.



a. 390.223.5

Mini

- inlet H. 75 × 1"¼
- outlet L. 250 × ø32
- c.p. brass flange ø75
- with brass hexagonal nuts

size

1"¼ × ø32

packaging

30 - C (box)

category

C01



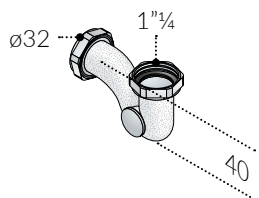
10 mm



36 l/min



30 pcs.



a. 90.504.5.1

- in raw nickel plated brass
- without inlet pipe
- inlet 1"¼
- without outlet pipe
- outlet ø32
- without flange
- with brass hexagonal nuts

size

1"¼ × ø32

packaging

30 - B (box)

category

C01



10 mm



30 pcs.

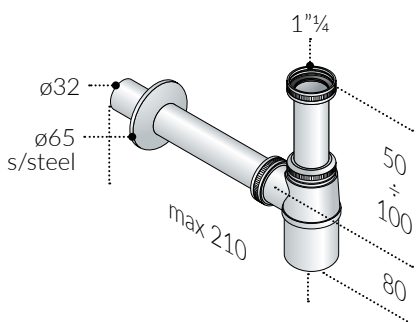




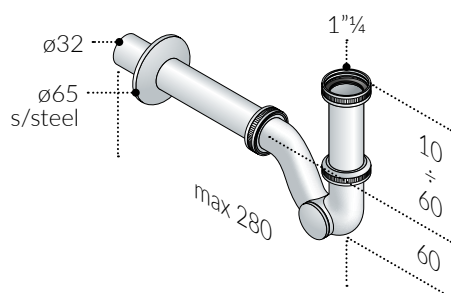
317 + 322 + 324

Europa series

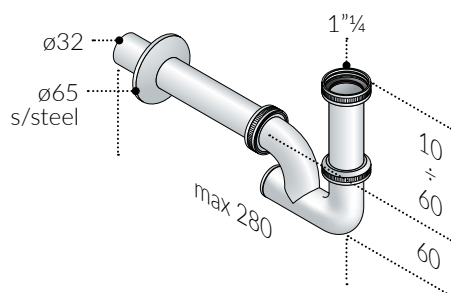
chrome plated brass traps made by die casting



a. 317.711.5	size	packaging	category
<ul style="list-style-type: none"> - inlet H. 75 × 1 1/4 - outlet L. 190 × ø32 - s/steel flange ø65 	1 1/4 × ø32	30 - B (box)	C01

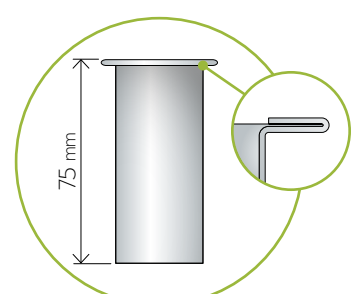


a. 322.711.5	size	packaging	category
<ul style="list-style-type: none"> - inlet H. 75 × 1 1/4 - outlet L. 190 × ø32 - s/steel flange ø65 	1 1/4 × ø32	30 - B (box)	C01

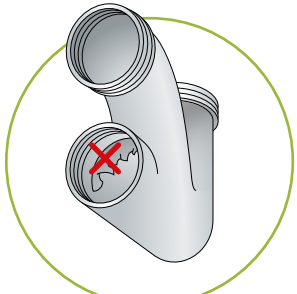


a. 324.711.5	size	packaging	category
<ul style="list-style-type: none"> - inlet H. 75 × 1 1/4 - outlet L. 190 × ø32 - s/steel flange ø65 	1 1/4 × ø32	30 - B (box)	C01

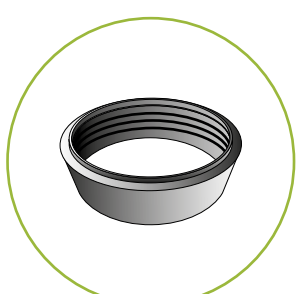
* NOTES



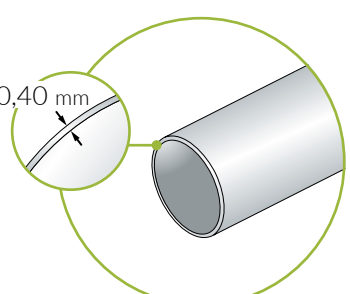
inlet pipe with double hemming, increased resistance



robotize internal machining



thermoplastic rubber gasket



c.p. brass pipe thickness 0,40 mm

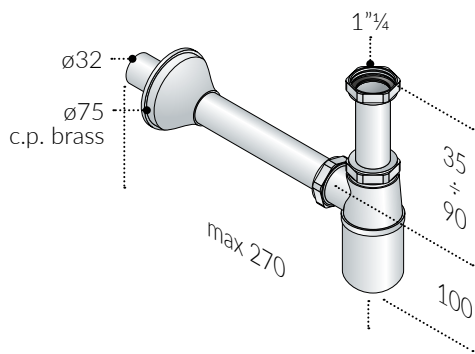


17 + 22 + 24

Tea series

chrome plated brass traps made by shell moulding

a. 17.223.5



- inlet H. 75 × 1 1/4
- outlet L. 250 × ø32
- c.p. brass flange ø75
- with brass hexagonal nuts

size

1 1/4 × ø32



50 mm



51 l/min



30 pcs.

packaging

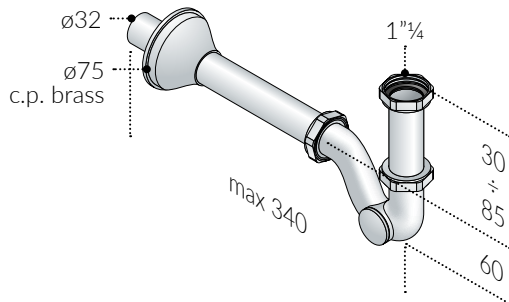
30 - C (box)

category

C01



a. 22.223.5



- inlet H. 75 × 1 1/4
- outlet L. 250 × ø32
- c.p. brass flange ø75
- with brass hexagonal nuts

size

1 1/4 × ø32



25 mm



51 l/min



30 pcs.

packaging

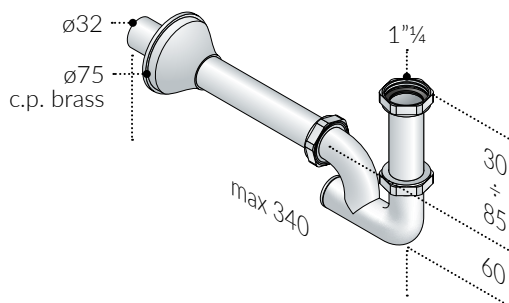
30 - C (box)

category

C01



a. 24.223.5



- inlet H. 75 × 1 1/4
- outlet L. 250 × ø32
- c.p. brass flange ø75
- with brass hexagonal nuts

size

1 1/4 × ø32



25 mm



57 l/min



30 pcs.

packaging

30 - C (box)

category

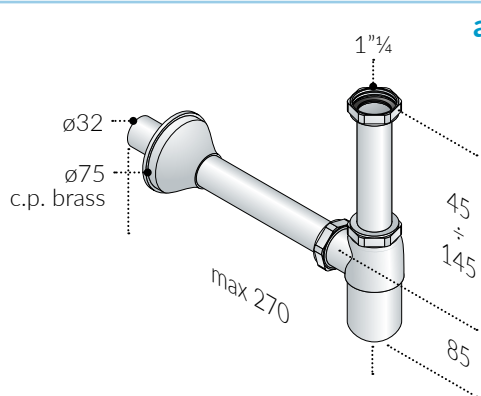
C01



517 + 922 + 924

Robot series

chrome plated brass traps made by shell moulding



a. 517.423.5

- inlet H. 120 × 1"¼
- outlet L. 250 × ø32
- c.p. brass flange ø75
- with brass hexagonal nuts

size packaging category

1"¼ × ø32 30 - T (box) C01



50 mm 51 l/min 30 pcs.



OTHER FINISHING AVAILABLE

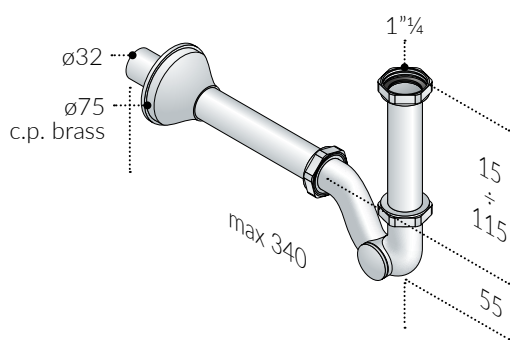
matt black
517.423.5.X

matt white
517.423.5.XD

polished gold
517.423.5.3

brushed steel
517.423.5.Y2

brushed bronze
517.423.5.6

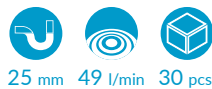


a. 922.423.5

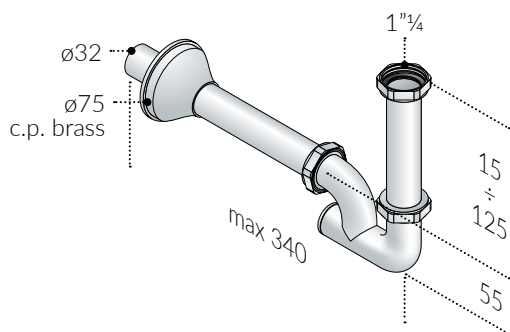
- inlet H. 120 × 1"¼
- outlet L. 250 × ø32
- c.p. brass flange ø75
- with brass hexagonal nuts

size packaging category

1"¼ × ø32 30 - C (box) C01



25 mm 49 l/min 30 pcs.

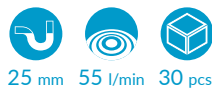


a. 924.423.5

- inlet H. 120 × 1"¼
- outlet L. 250 × ø32
- c.p. brass flange ø75
- with brass hexagonal nuts

size packaging category

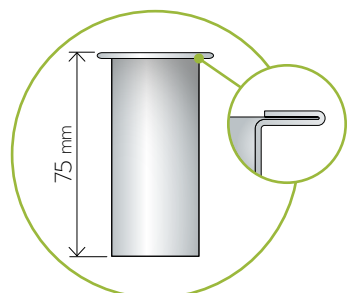
1"¼ × ø32 30 - C (box) C01



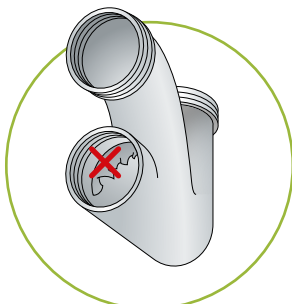
25 mm 55 l/min 30 pcs.



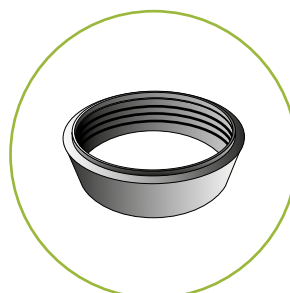
* NOTES



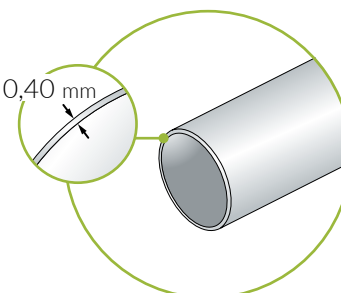
inlet pipe with double hemming, increased resistance



robotize internal machining



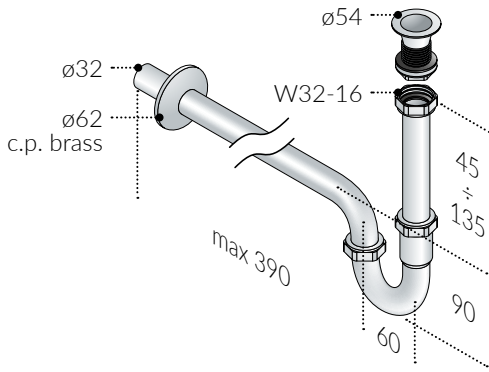
thermoplastic rubber gasket



c.p. brass pipe thickness 0,40 mm

25.K

chrome plated brass tubular trap



a. 25.335.4.K

- with waste without plug
- inlet H. 120 × W32-16
- with wall pipe
- outlet L. 390 × ø25
- c.p. brass flange ø62

size

1 1/4 × ø32

packaging

10 - O (box)

category

C02



60 mm 34 l/min 10 pcs.



b. 25.495.4.K

- with waste without plug
- inlet H. 120 × W32-16
- with floor pipe
- outlet H. 645 × ø25
- c.p. brass flange ø62

size

1 1/4 × ø32

packaging

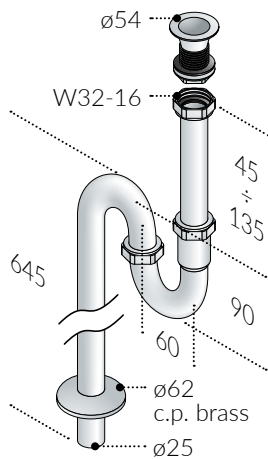
10 - O (box)

category

C02



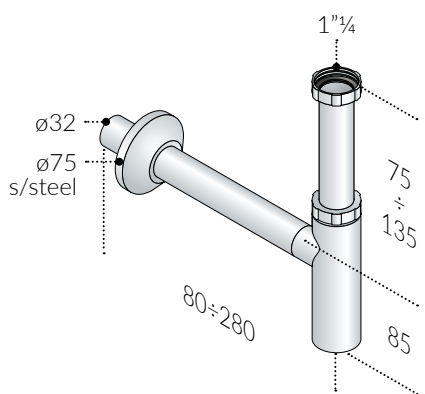
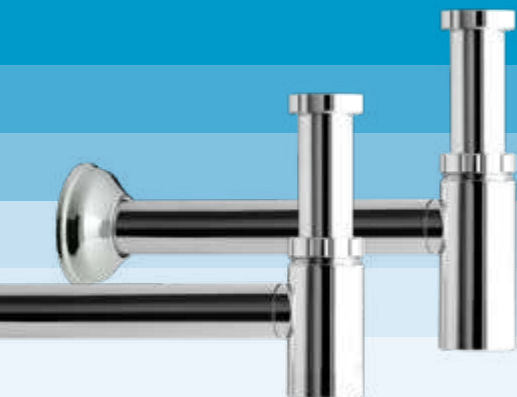
60 mm 34 l/min 10 pcs.



915 + 912

Jolly + Jolly mini

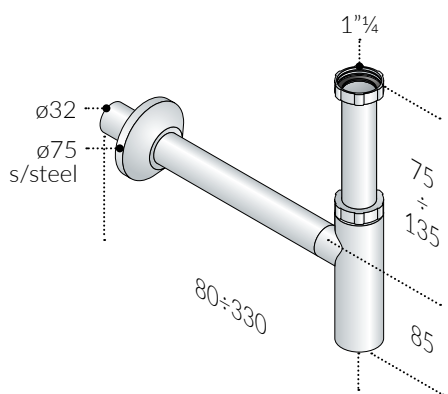
chrome plated zinc alloy traps



a. 915.324.5

- inlet H. 120 × 1"¼ in c.p. brass
- outlet L. 250 × ø32 in c.p. brass
- s/steel flange ø75
- with c.p. zinc alloy nuts

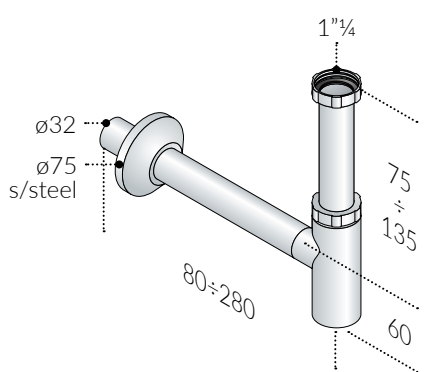
size	packaging	category
1"¼ × ø32	30 - C (box)	C01



b. 915.334.5

- inlet H. 120 × 1"¼ in c.p. brass
- outlet L. 300 × ø32 in c.p. brass
- s/steel flange ø75
- with c.p. zinc alloy nuts

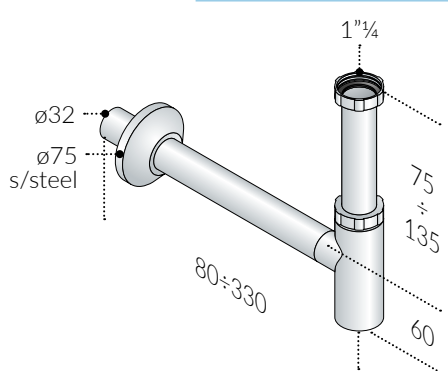
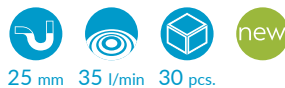
size	packaging	category
1"¼ × ø32	10 - O (box)	C01



a. 912.324.5

- inlet H. 120 × 1"¼ in c.p. brass
- outlet L. 250 × ø32 in c.p. brass
- s/steel flange ø75
- with c.p. zinc alloy nuts

size	packaging	category
1"¼ × ø32	30 - C (box)	C01



b. 912.334.5

- inlet H. 120 × 1"¼ in c.p. brass
- outlet L. 300 × ø32 in c.p. brass
- s/steel flange ø75
- with c.p. zinc alloy nuts

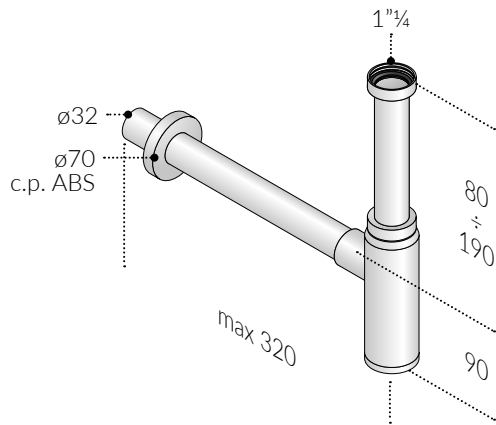
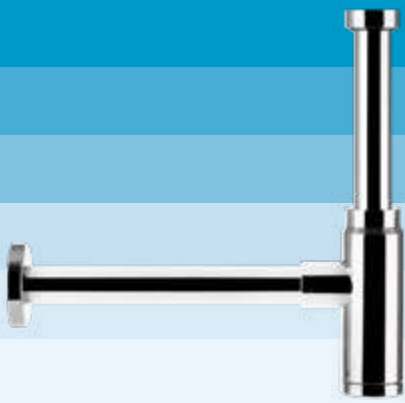
size	packaging	category
1"¼ × ø32	10 - O (box)	C01



710.H

Toti ABS

chrome plated ABS trap



a. 710.934.5.H

- inlet H. 165 × 1¹/₄
- outlet L. 300 × ϕ 32
- c.p. ABS flange ϕ 70
- c.p. ABS nuts

size

1¹/₄ × ϕ 32

packaging

10 - O (box)

category

C03



50 mm



46 l/min



10 pcs.



a. 710.934.6.H

- inlet H. 165 × 1¹/₄
- outlet L. 300 × ϕ 40
- c.p. ABS flange ϕ 80
- c.p. ABS nuts

size

1¹/₄ × ϕ 40

packaging

10 - O (box)

category

C03



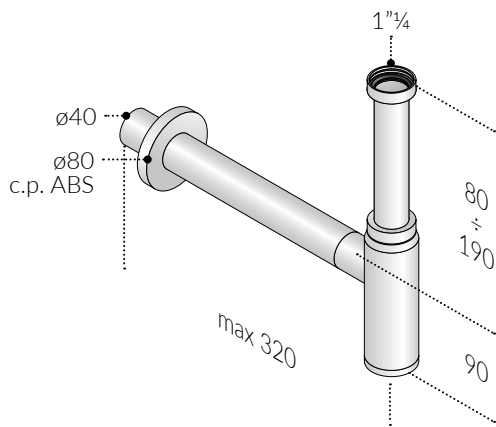
50 mm



46 l/min



10 pcs.



b. 710.939.6.H

- inlet H. 165 × 1¹/₄
- outlet L. 300 × ϕ 40
- c.p. ABS flange ϕ 80
- c.p. ABS nuts
- with wall connector

size

1¹/₄ × ϕ 40

packaging

10 - O (box)

category

C03



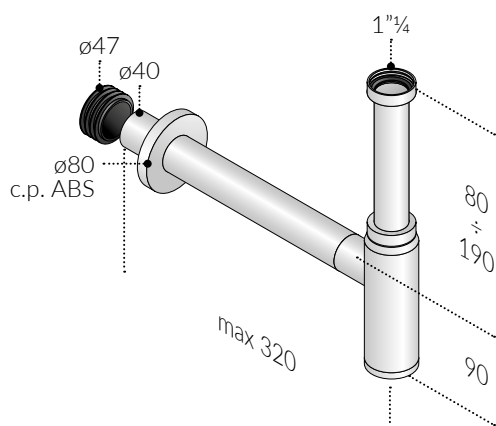
50 mm



46 l/min



10 pcs.

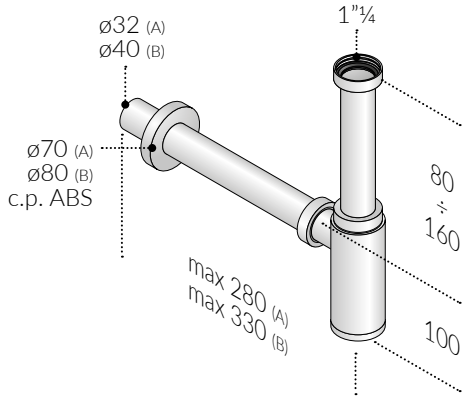
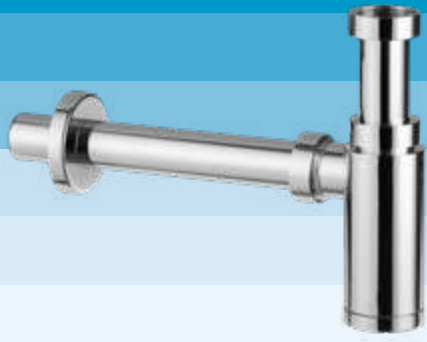


916.H + 914.H

new

Maomao ABS

chrome plated ABS trap



a. 916.924.5.H

- standard water seal 50 mm
- inlet H. 165 × 1 1/4
- outlet L. 250 × ø32
- c.p. ABS flange ø70
- c.p. ABS nuts

size packaging category

1 1/4 × ø32 30 - C (box) C03

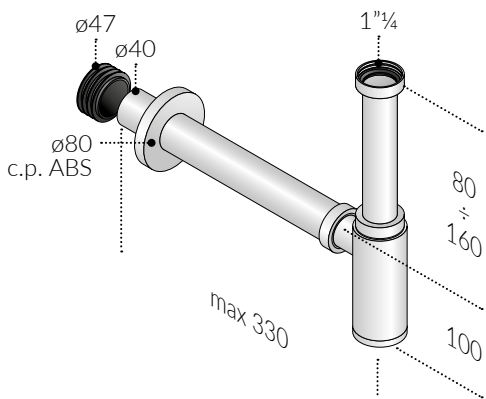


b. 916.934.6.H

- standard water seal 50 mm
- inlet H. 165 × 1 1/4
- outlet L. 300 × ø40
- c.p. ABS flange ø80
- c.p. ABS nuts

size packaging category

1 1/4 × ø40 10 - O (box) C03



a. 914.939.6.H

- higher water seal 75 mm
- inlet H. 165 × 1 1/4
- outlet L. 300 × ø40
- c.p. ABS flange ø80
- c.p. ABS nuts
- with wall connector

size packaging category

1 1/4 × ø40 10 - O (box) C03



NOTES



- Water seal 50 mm
- Water volume 40 l/min
- EN 274 Conform



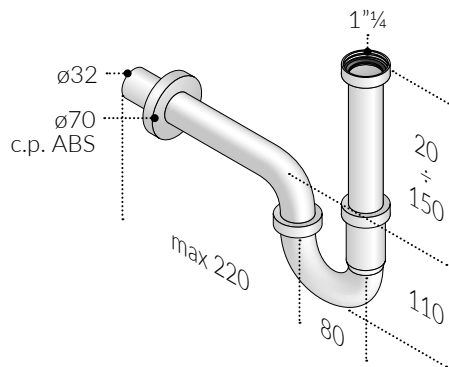
- Water seal 75 mm
- Water volume 36 l/min
- EN 274 Conform



26.H + 19.H

Eurotrap + Lux ABS

chrome plated ABS traps



a. 26.924.5.H

- inlet H. 165 × 1"¼
- outlet L. 220 × ø32
- c.p. ABS flange ø70
- c.p. ABS nuts

size

1"¼ × ø32

packaging

30 - C (box)

category

C03



60 mm



60+ l/min



30 pcs.



a. 19.124.5.H

- inlet H. 165 × 1"¼
- outlet L. 250 × ø32
- c.p. ABS flange ø70
- c.p. ABS nuts

size

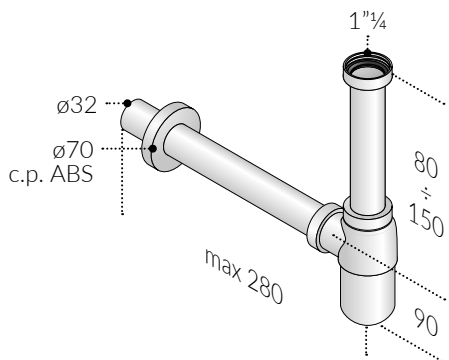
1"¼ × ø32

packaging

30 - C (box)

category

C03



50 mm



58 l/min



30 pcs.



a. 86.302.5.H

- inlet pipe
- H. 300 mm
- 1"¼ × ø32

size

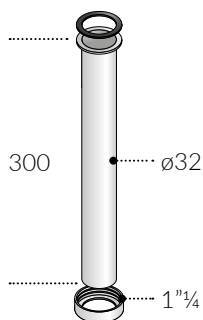
1"¼ × ø32

packaging

10 - X (bag)

category

C10

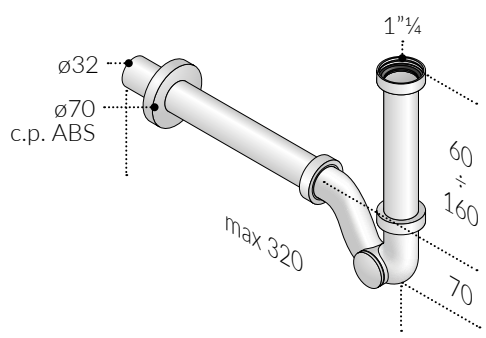
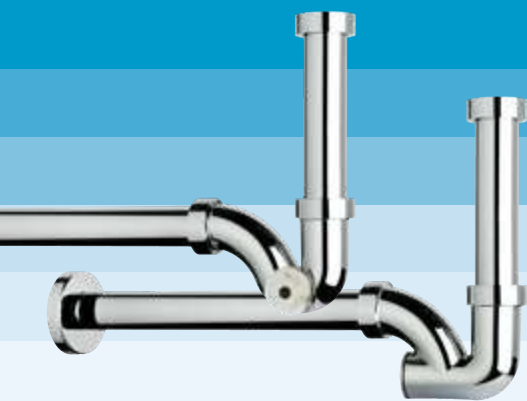


10 pcs.



322.H + 324.H + 126.H

...
chrome plated ABS traps



a. 322.924.5.H

- inlet H. 165 × 1"¼
- outlet L. 250 × ø32
- c.p. ABS flange ø70
- c.p. ABS nuts

size

1"¼ × ø32

packaging

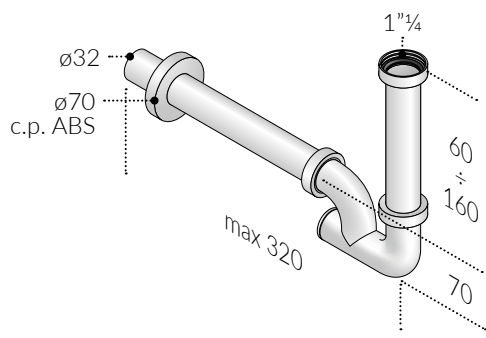
30 - C (box)

category

C03



35 mm 58 l/min 30 pcs.



a. 324.924.5.H

- inlet H. 165 × 1"¼
- outlet L. 250 × ø32
- c.p. ABS flange ø70
- c.p. ABS nuts

size

1"¼ × ø32

packaging

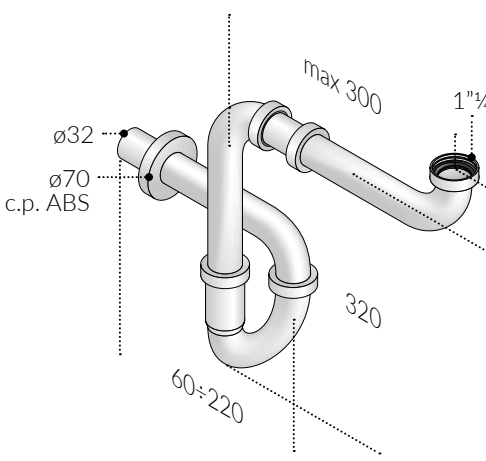
30 - C (box)

category

C03



35 mm 53 l/min 30 pcs.



a. 126.013.5.H

- inlet 300×220 × 1"¼
- outlet L. 220 × ø32
- c.p. ABS flange ø70
- c.p. ABS nuts

size

1"¼ × ø32

packaging

15 - B (box)

category

C03



60 mm 48 l/min 15 pcs.

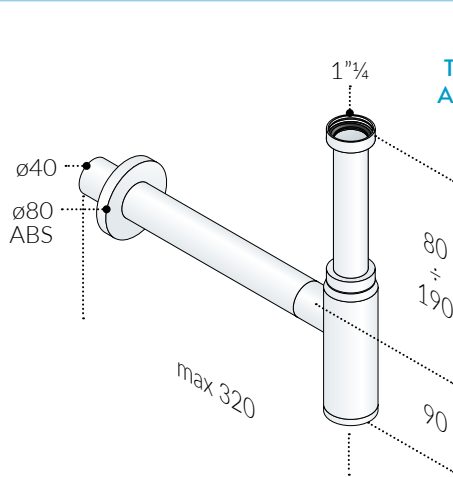
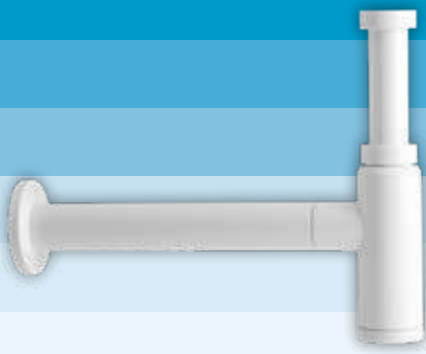


710.B + 916.B + 914.B

new

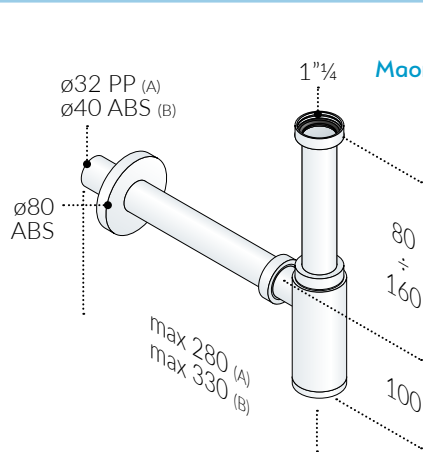
Toti + Maomao white ABS

white ABS traps



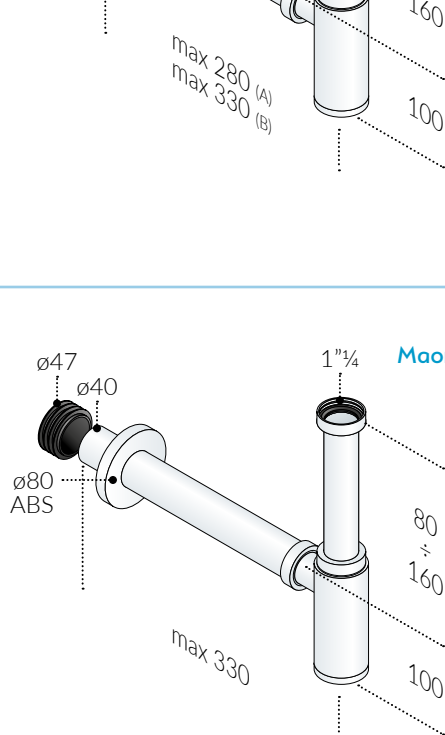
- a. 710.934.6.B**
Toti ABS
- inlet H. 165 × 1 1/4 in white ABS
 - outlet L. 300 × ø40 in white ABS
 - white ABS flange ø80
 - white ABS nuts

size	packaging	category
1 1/4 × ø40	10 - O (box)	C03
50 mm	46 l/min	10 pcs.



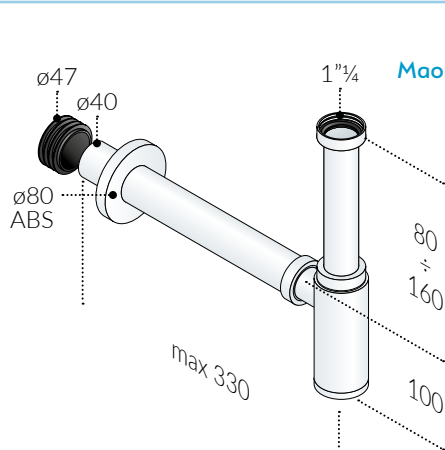
- a. 916.924.5.B**
Maomao ABS
- standard water seal 50 mm
 - inlet H. 165 × 1 1/4 in white ABS
 - outlet L. 250 × ø32 in white PP
 - white ABS flange ø80
 - white ABS nuts

size	packaging	category
1 1/4 × ø32	30 - C (box)	C03
50 mm	40 l/min	30 pcs.



- b. 916.934.6.B**
- standard water seal 50 mm
 - inlet H. 165 × 1 1/4 in white ABS
 - outlet L. 300 × ø40 in white ABS
 - white ABS flange ø80
 - white ABS nuts

size	packaging	category
1 1/4 × ø40	10 - O (box)	C03
50 mm	40 l/min	10 pcs.



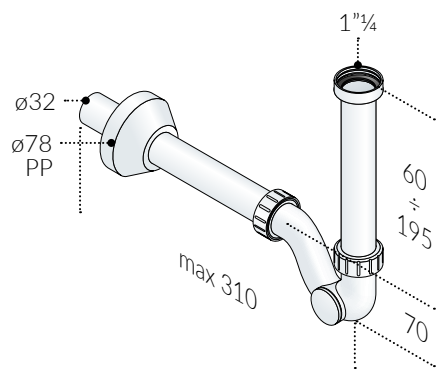
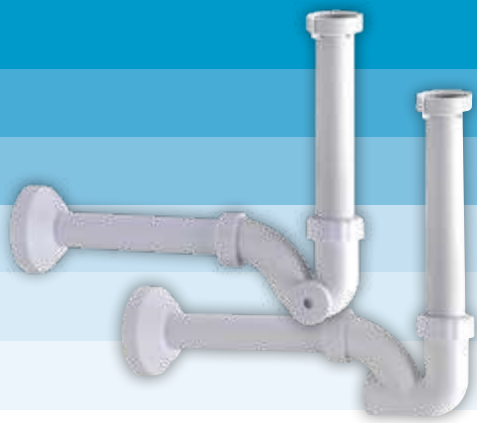
- a. 914.939.6.B**
Maomao ABS
- higher water seal 75 mm
 - inlet H. 165 × 1 1/4 in white ABS
 - outlet L. 300 × ø40 in white ABS
 - white ABS flange ø80
 - white ABS nuts
 - with wall connector

size	packaging	category
1 1/4 × ø40	10 - O (box)	C03
75 mm	36 l/min	10 pcs.



6322 + 6324

...
white ABS traps



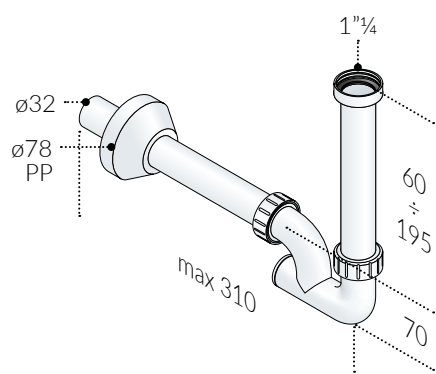
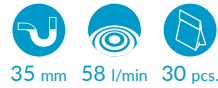
a. 6322.544.5

- inlet H. 200 × 1"¼ in white PP
- outlet L. 250 × ø32 in white PP
- white PP flange ø78
- white PP nuts

size	packaging	category
------	-----------	----------

1"¼ × ø32 30 - C (bag)

C03



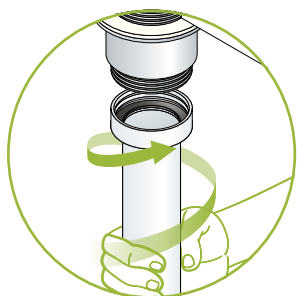
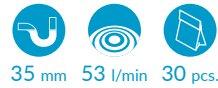
a. 6324.544.5

- inlet H. 200 × 1"¼ in white PP
- outlet L. 250 × ø32 in white PP
- white PP flange ø78
- white PP nuts

size	packaging	category
------	-----------	----------

1"¼ × ø32 30 - C (bag)

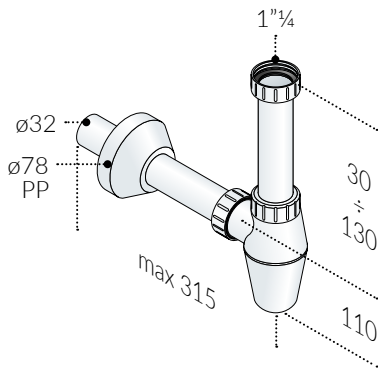
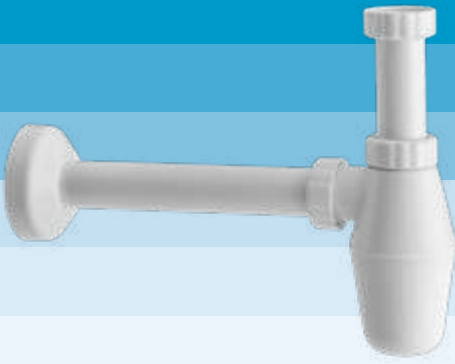
C03



* NOTES

- With white PP inlet pipe H. 200
- 1"¼ thread integrated to the inlet pipe
- to ease the installation also in those case of restricted accessibility like bidet installation

PP bottle trap



a. 217.444.5

- inlet H. 120 × 1 1/4
- outlet L. 250 × ø32
- PP flange ø78

size

1 1/4 × ø32



60 mm



61 l/min



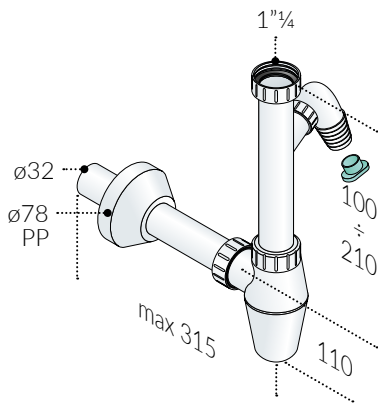
50 pcs.

packaging

50 - QA (bag)

category

C03



b. 217.344.5

- inlet H. 200 × 1 1/4 with hose connection
- outlet L. 250 × ø32
- PP flange ø78

size

1 1/4 × ø32



60 mm



61 l/min



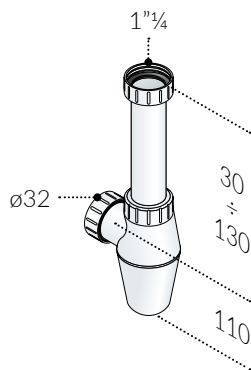
50 pcs.

packaging

50 - QA (bag)

category

C03



a. 217.400.5

- inlet H. 120 × 1 1/4
- without outlet pipe
- outlet ø32
- without flange

size

1 1/4 × ø32



60 mm



50 pcs.

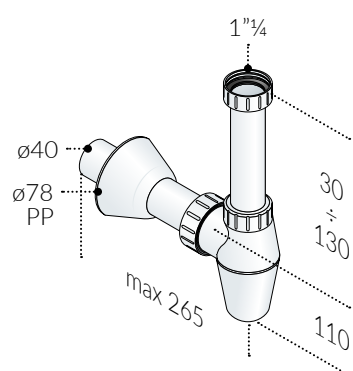
packaging

50 - QA (bag)

category

C03



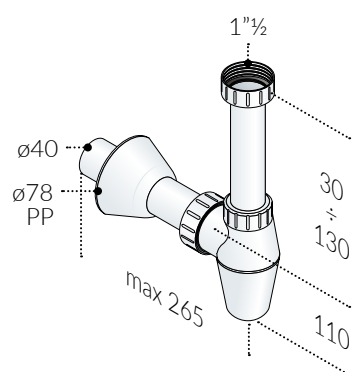


a. 217.244.5

- inlet H. 120 × 1"¼
- outlet L. 200 × ø40
- PP flange ø78

size	packaging	category
------	-----------	----------

1"¼ × ø40	50 - QA (bag)	C03
-----------	---------------	-----

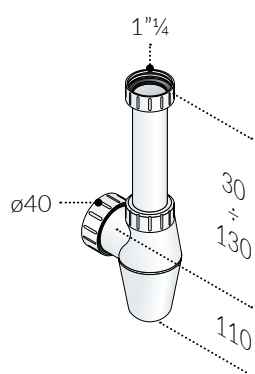


a. 217.144.6

- inlet H. 120 × 1"½
- outlet L. 200 × ø40
- PP flange ø78

size	packaging	category
------	-----------	----------

1"½ × ø40	50 - QA (bag)	C03
-----------	---------------	-----

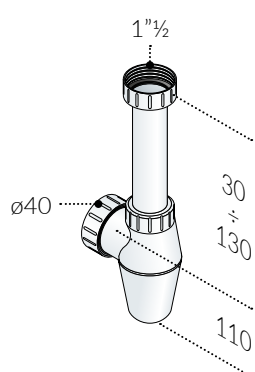


a. 217.200.5

- inlet H. 120 × 1"¼
- without outlet pipe
- outlet ø40
- without flange

size	packaging	category
------	-----------	----------

1"¼ × ø40	50 - QA (bag)	C03
-----------	---------------	-----

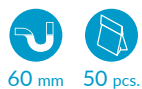


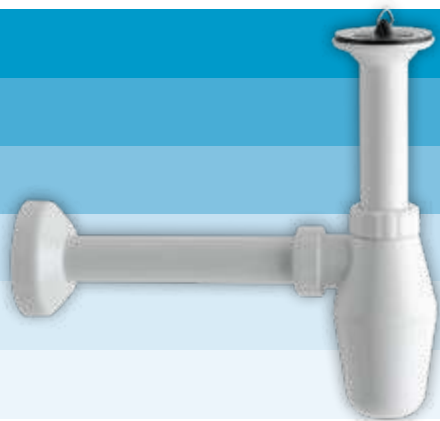
b. 217.100.6

- inlet H. 120 × 1"½
- without outlet pipe
- outlet ø40
- without flange

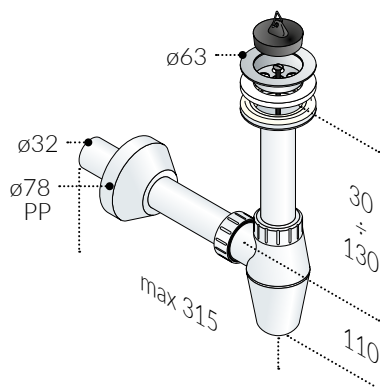
size	packaging	category
------	-----------	----------

1"½ × ø40	50 - QA (bag)	C03
-----------	---------------	-----





PP bottle trap with universal waste

**a. 218.414.5**

- with universal waste $\phi 63$ plug with triangle
- inlet H. 120
- outlet L. 250 \times $\phi 32$
- PP flange $\phi 78$

size

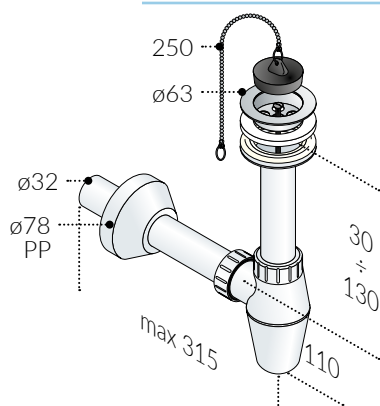
$\phi 63 \times \phi 32$
60 mm 37 l/min

packaging

30 - C (bag)
30 pcs.

category

C03

**b. 218.444.5**

- with universal waste $\phi 63$ plug with ball-chain and ring
- inlet H. 120
- outlet L. 250 \times $\phi 32$
- PP flange $\phi 78$

size

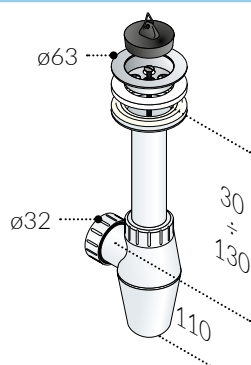
$\phi 63 \times \phi 32$
60 mm 37 l/min

packaging

30 - C (bag)
30 pcs.

category

C03

**a. 218.410.5**

- with universal waste $\phi 63$ plug with triangle
- inlet H. 120
- without outlet pipe
- outlet $\phi 32$
- without flange

size

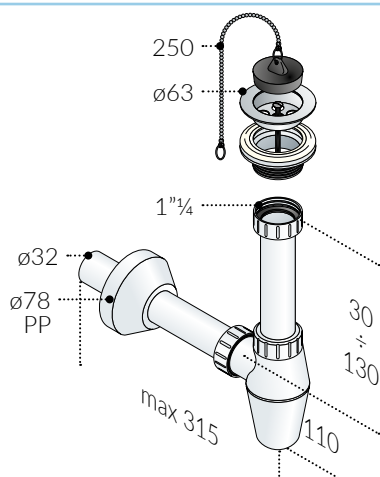
$\phi 63 \times \phi 32$
60 mm 30 pcs.

packaging

30 - C (bag)
30 pcs.

category

C03

**a. 218.944.5**

- with universal waste $\phi 63$ plug with ball-chain and ring
- inlet H. 120 \times 1" $\frac{1}{4}$
- outlet L. 250 \times $\phi 32$
- PP flange $\phi 78$

size

$\phi 63 \times \phi 32$
60 mm 37 l/min

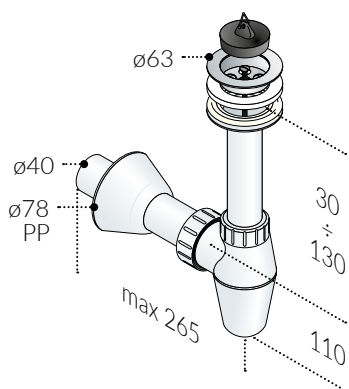
packaging

30 - Q (bag)
30 pcs.

category

C03





a. 218.214.5

- with universal waste $\phi 63$ plug with triangle
- inlet H. 120
- outlet L. 200 \times $\phi 40$
- PP flange $\phi 78$

size

$\phi 63 \times \phi 40$

packaging

30 - C (bag)

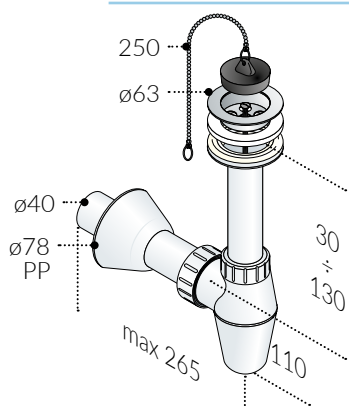
category

C03



60 mm 37 l/min

30 pcs.



b. 218.244.5

- with universal waste $\phi 63$ plug with ball-chain and ring
- inlet H. 120
- outlet L. 250 \times $\phi 40$
- PP flange $\phi 78$

size

$\phi 63 \times \phi 40$

packaging

30 - C (bag)

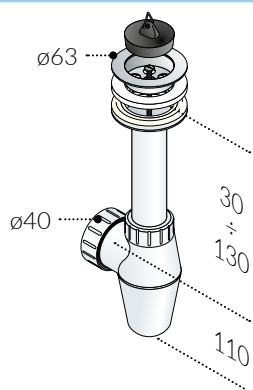
category

C03



60 mm 37 l/min

30 pcs.



a. 218.210.5

- with universal waste $\phi 63$ plug with triangle
- inlet H. 120
- without outlet pipe
- outlet $\phi 40$
- without flange

size

$\phi 63 \times \phi 40$

packaging

30 - C (bag)

category

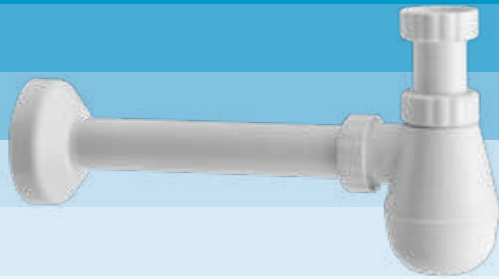
C03



60 mm 30 pcs.



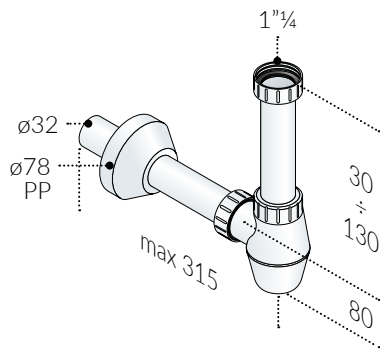
2517



...

PP bottle trap for bidet

a. 2517.444.5



- inlet H. 120 × 1"¼
- outlet L. 250 × ø32
- PP flange ø78

size

1"¼ × ø32

packaging

50 - QA (bag)

category

C03



30 mm



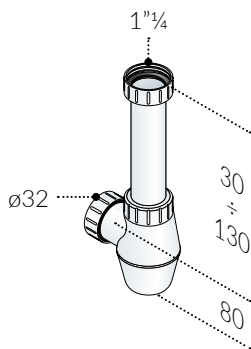
55 l/min



50 pcs.



a. 2517.400.5



- inlet H. 120 × 1"¼
- without outlet pipe
- outlet ø32
- without flange

size

1"¼ × ø32

packaging

50 - QA (bag)

category

C03



30 mm



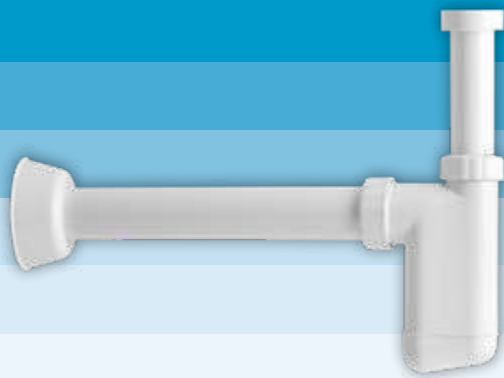
55 l/min



50 pcs.

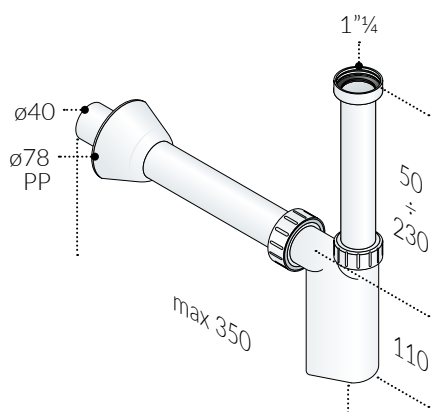


2917 + 0217



...

PP bottle trap for pedestal washbasin
PP bottle trap with floor outlet pipe



a. 2917.264.5

- for pedestal washbasin
- inlet H. 200 × 1 1/4
- outlet L. 300 × ø40
- PP flange ø78

size

1 1/4 × ø40

packaging

30 - Q (bag)

category

C03



60 mm



53 l/min



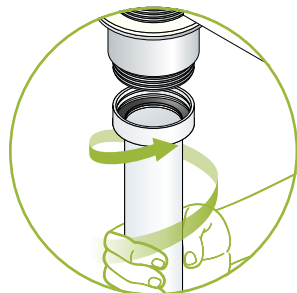
30 pcs.



NOTES

With white PP inlet pipe H. 200

- 1 1/4 thread integrated to the inlet pipe
- to ease the installation also in those case of restricted accessibility like bidet installation



a. 0217.211.6

- with flexible floor pipe
- inlet H. 120 × 1 1/4
- outlet 300×700 × ø40/50
- PP flange ø78

size

1 1/4 × ø40/50

packaging

30 - L (bag)

category

C03



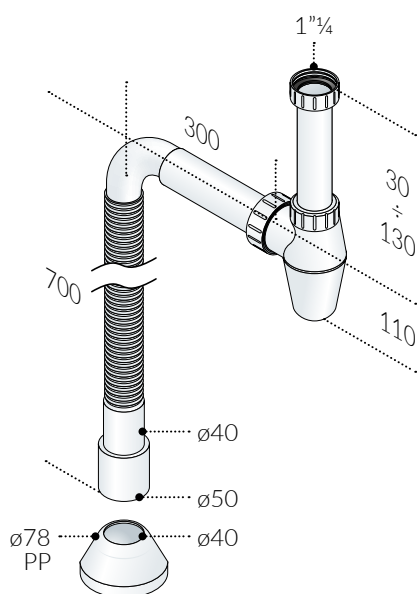
60 mm



61 l/min

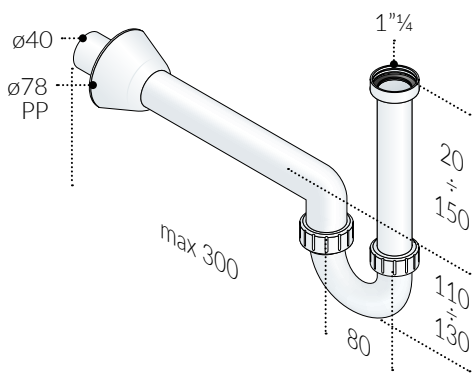


50 pcs.



222 + 226

PP tubular traps for washbasin and bidet



a. 222.854.6

- inlet H. 200 × 1 1/4"
- outlet L. 300 × ø40
- PP flange ø78

size

1 1/4" × ø40

packaging

30 - A (bag)

category

C03



60 mm



65 l/min

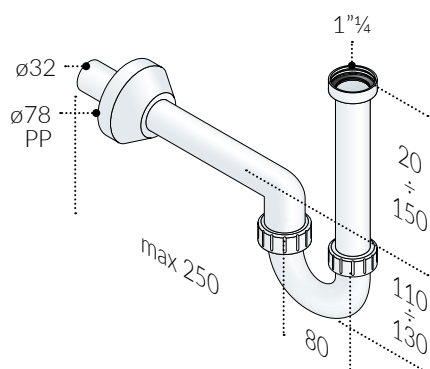


30 pcs.



NOTES

- ✿ Outlet pipe L. 300 × ø40 adjustable in height



b. 222.444.5

- inlet H. 200 × 1 1/4"
- outlet L. 250 × ø32
- PP flange ø78

size

1 1/4" × ø32

packaging

30 - A (bag)

category

C03



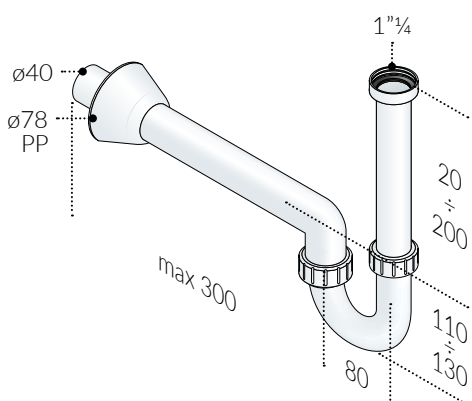
60 mm



65 l/min



30 pcs.



a. 226.854.6

- inlet H. 200 × 1 1/4"
- outlet L. 300 × ø40
- PP flange ø78

size

1 1/4" × ø40

packaging

30 - A (bag)

category

C03



60 mm



64 l/min

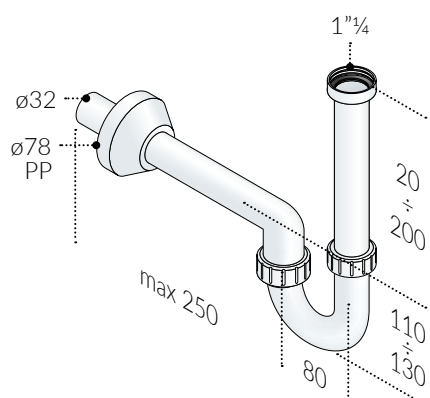


30 pcs.



NOTES

- ✿ Outlet pipe L. 300 × ø40 adjustable in height



b. 226.444.5

- inlet H. 200 × 1 1/4"
- outlet L. 250 × ø32
- PP flange ø78

size

1 1/4" × ø32

packaging

30 - A (bag)

category

C03



60 mm

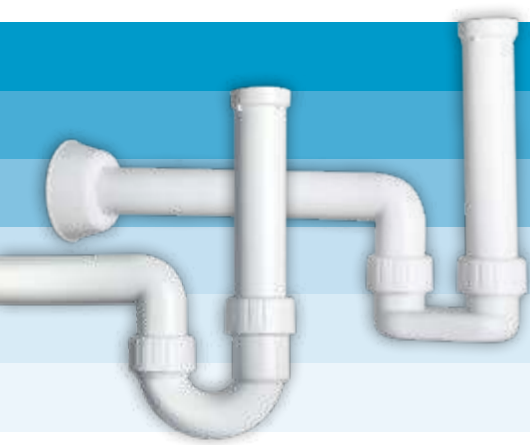


64 l/min



30 pcs.

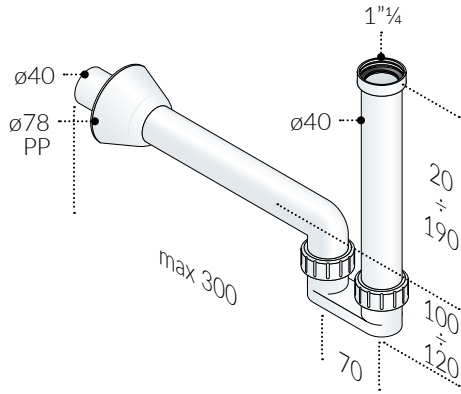








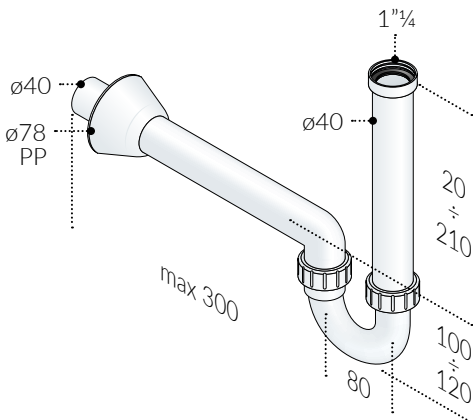
8222 + 8226





Savoia

PP trap with bigger water-flow

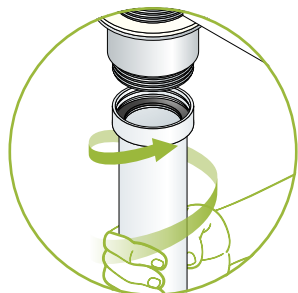


a. 8222.854.6	size	packaging	category
<ul style="list-style-type: none"> - inlet H. 250 × 1"¼ (ø40) - outlet L. 300 × ø40 - PP flange ø78 	1"¼ × ø40	30 - A (bag)	C03
	 60 mm  55 l/min	 30 pcs.	

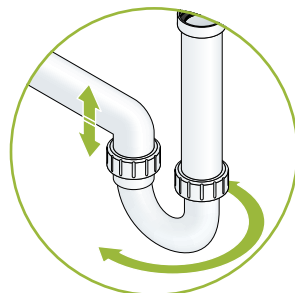


a. 8226.854.6	size	packaging	category
<ul style="list-style-type: none"> - inlet H. 250 × 1"¼ (ø40) - outlet L. 300 × ø40 - PP flange ø78 	1"¼ × ø40	30 - A (bag)	C03
	 60 mm  59 l/min	 30 pcs.	

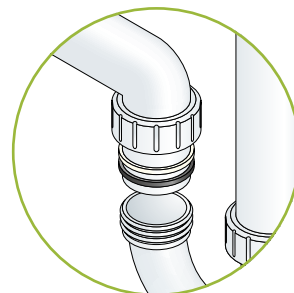
* NOTES



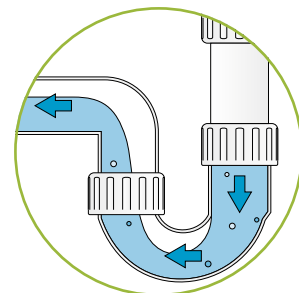
integrated thread in the inlet pipe



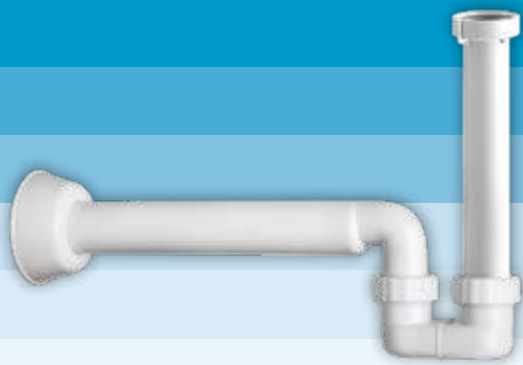
maximum adjustability with length adjustable outlet



rubber seals: hand-tightening



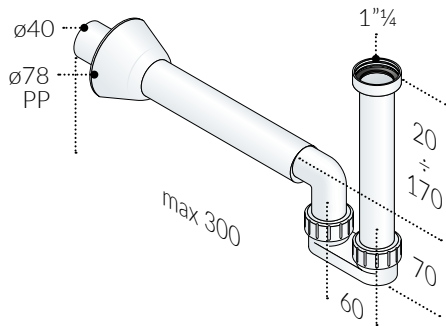
self-cleaning internal siphon without blockages



2322

Mosquito

PP trap with reduced encumbrance



a. 2322.244.6

- inlet H. 200 × 1 1/4
- outlet L. 300 × $\varnothing 40$
- PP flange $\varnothing 78$

size

1 1/4 × $\varnothing 40$

packaging

30 - C (bag)

category

C03



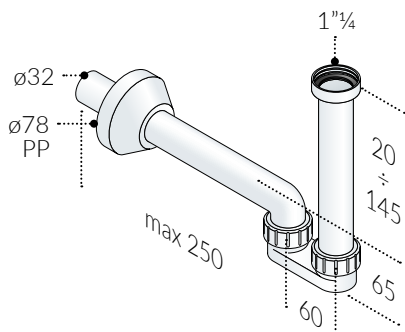
50 mm



47 l/min



30 pcs.



a. 2322.244.5

- inlet H. 200 × 1 1/4
- outlet L. 250 × $\varnothing 32$
- PP flange $\varnothing 78$

size

1 1/4 × $\varnothing 32$

packaging

30 - C (bag)

category

C03



50 mm

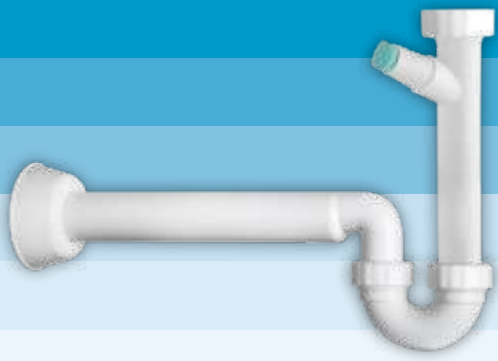


47 l/min



30 pcs.





2390

Chihuahua

PP trap with reduced encumbrance

a. 2390.244.6

- inlet H. 200 × 1"¼
- outlet L. 300 × ø40
- PP flange ø78

size packaging category

1"¼ × ø40 30 - C (bag) C03



b. 2390.344.6

- inlet H. 200 × 1"¼
- with reduction 1"½-1"¼
- with hose connection
- outlet L. 300 × ø40
- PP flange ø78

size packaging category

1"¼-½ × ø40 30 - C (bag) C03

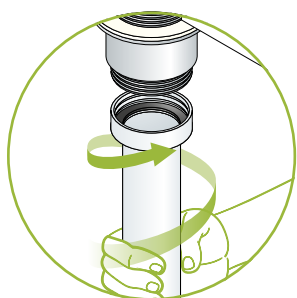
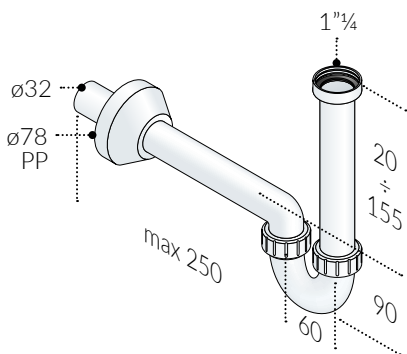
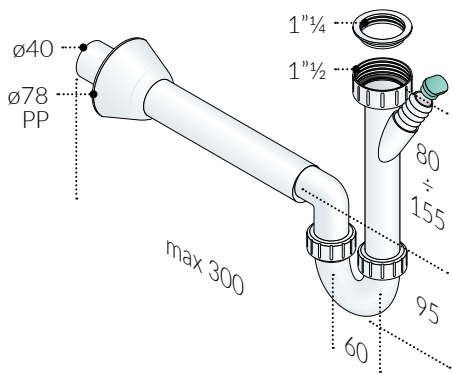
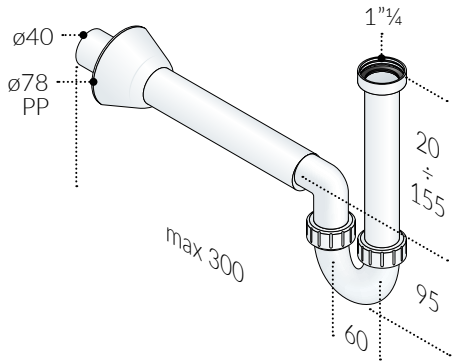


a. 2390.244.5

- inlet H. 200 × 1"¼
- outlet L. 250 × ø32
- PP flange ø78

size packaging category

1"¼ × ø32 30 - C (bag) C03



NOTES

With white PP inlet pipe H. 200

- 1"¼ thread integrated to the inlet pipe
- to ease the installation also in those case of restricted accessibility like bidet installation

2322 + 2390

Praktik bagno

PP trap with reduced encumbrance



omp tea.eu

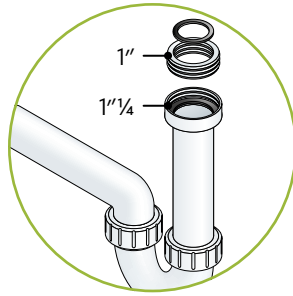


* NOTES

integrated inlet thread
makes installation easier and quicker as the entire inlet pipe can be used to fasten the under-sink siphon



reduction 1" - 1 1/4"
trap is suitable for wastes both 1" and 1 1/4"



double outlet diameter $\phi 32/40$
the 250 mm outlet pipe has a diameter of 32 mm while the eccentric fitting, which facilitates wall connection and further reduces the size of the trap, has a diameter of 40 mm



a. 2322.241.6

- inlet H. 200 × 1"¼
- with reduction 1" × 1"¼
- outlet L. 300 × ø40
- with eccentric pipe ø40
- PP flange ø78 × ø32
- PP flange ø78 × ø40

size

packaging

category

1" / 1"¼ × ø40 16 - Q (box)

C03



50 mm



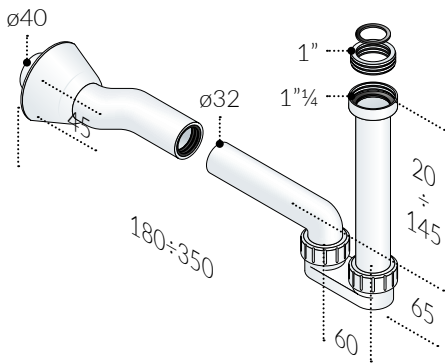
41 l/min



16 pcs.



new



SPARE PARTS / ECCENTRIC PIPE

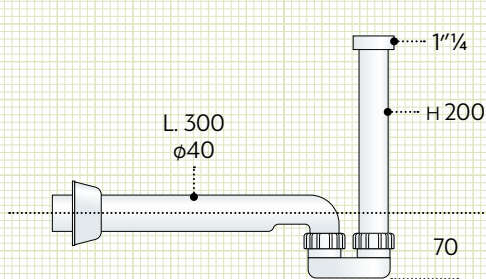


292.155.5

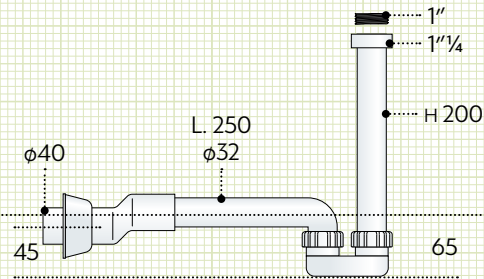
For more informations see page ***



NOTES



art 2322.241.6



art 2322.241.6

a. 2390.241.6

- inlet H. 200 × 1"¼
- with reduction 1" × 1"¼
- outlet L. 300 × ø40
- with eccentric pipe ø40
- PP flange ø78 × ø32
- PP flange ø78 × ø40

size

packaging

category

1" / 1"¼ × ø40 16 - Q (box)

C03



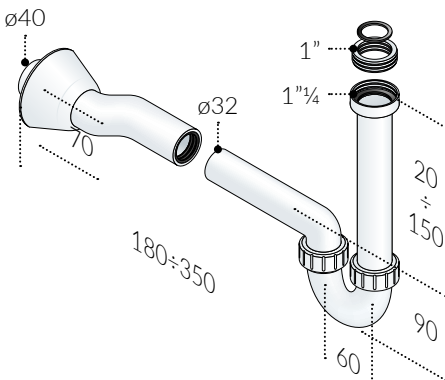
50 mm



42 l/min



16 pcs.



SPARE PARTS / ECCENTRIC PIPE

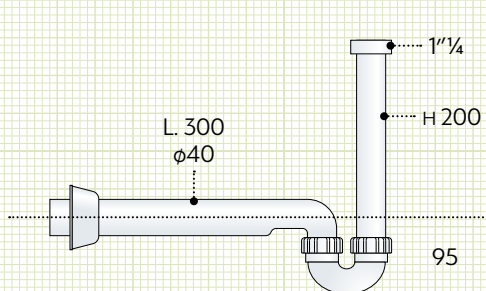


292.155.5

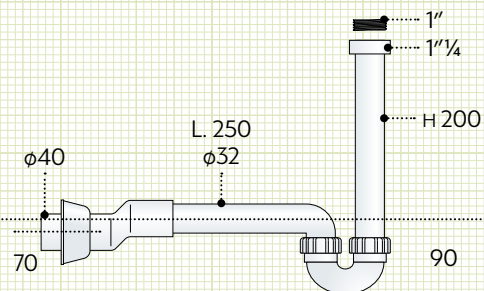
For more informations see page ***



NOTES



art 2390.241.6



art 2390.241.6



1910 + 1950

Chrono

quick installation PP bottle trap



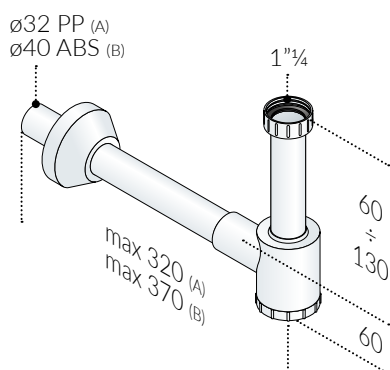
* NOTES




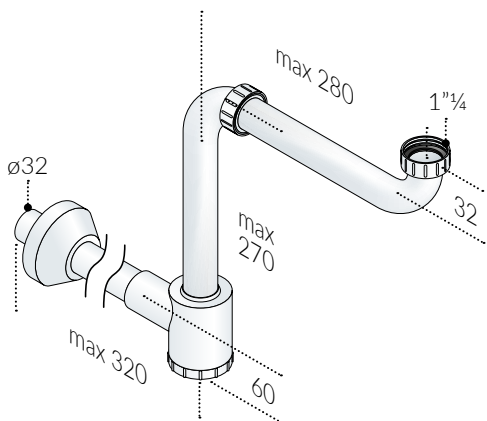
Easy fit: trap inlet is provided with a special washer that speeds up the installation without decreasing the watertightness of the inlet pipe

Dual fit: extended trap outlet, you can connect a $\phi 32$ pipe or you can directly connect the trap to the wall, with a $\phi 40$ connection

Shape of the trap body even more compact with a minimum size of only 60 while maintaining the water seal of 50 mm, in conformity with standards.



a.	1910.111.5	size	packaging	category
- inlet	H. 120 × 1 $\frac{1}{4}$	1 $\frac{1}{4}$ × $\phi 32$	30 - C (bag)	C03
- outlet	L. 250 × $\phi 32$	   		
- PP flange	$\phi 78$	50 mm 40 l/min	30 pcs.	
b.	1910.130.5	size	packaging	category
- inlet	H. 120 × 1 $\frac{1}{4}$	1 $\frac{1}{4}$ × $\phi 40$	30 - C (bag)	C03
- outlet	L. 300 × $\phi 40$	   		
- outlet pipe in white ABS		50 mm 40 l/min	30 pcs.	
- PP flange	$\phi 78$			
c.	1910.100.5	size	packaging	category
- inlet	H. 120 × 1 $\frac{1}{4}$	1 $\frac{1}{4}$ × $\phi 40$	30 - Q (bag)	C03
- without outlet pipe		   		
- outlet	$\phi 32$	50 mm 40 l/min	30 pcs.	
- without flange				



a. 1950.511.5

- inlet 280x280 x 1 1/4
- rigid connection
- outlet L. 250 x ø32
- PP flange ø78

size

1 1/4 x ø32

packaging

15 - B (bag)

category

C03



50 mm



40 l/min



15 pcs.



b. 1950.508.5

- inlet 280x280 x 1 1/4
- rigid connection
- without outlet pipe
- outlet ø32
- without flange
- with anchor plate

size

1 1/4 x ø32

packaging

15 - B (bag)

category

C03



50 mm



40 l/min



15 pcs.



c. 1950.500.5

- inlet 280x280 x 1 1/4
- rigid connection
- without outlet pipe
- outlet ø32
- without flange
- without anchor plate

size

1 1/4 x ø32

packaging

30 - Q (bag)

category

C03



50 mm



40 l/min



15 pcs.



a. 1950.611.5

- inlet 600+250 x 1 1/4
- flexible connection
- outlet L. 250 x ø32
- PP flange ø78

size

1 1/4 x ø32

packaging

15 - B (bag)

category

C03



50 mm



40 l/min



15 pcs.



b. 1950.608.5

- inlet 600+250 x 1 1/4
- flexible connection
- without outlet pipe
- outlet ø32
- without flange
- with anchor plate

size

1 1/4 x ø32

packaging

15 - B (bag)

category

C03



50 mm



40 l/min



15 pcs.



c. 1950.600.5

- inlet 600+250 x 1 1/4
- flexible connection
- without outlet pipe
- outlet ø32
- without flange
- without anchor plate

size

1 1/4 x ø32

packaging

30 - Q (bag)

category

C03



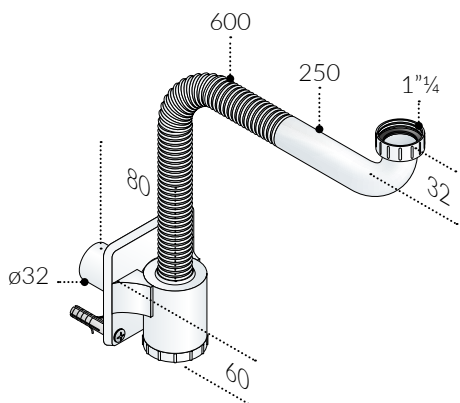
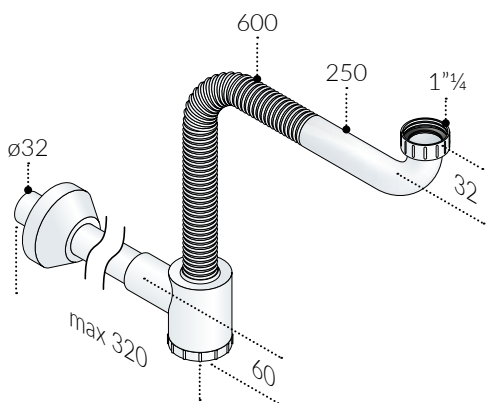
50 mm



40 l/min



15 pcs.



1650 Squid

minimum encumbrance ABS space-saver trap

omp tea.eu

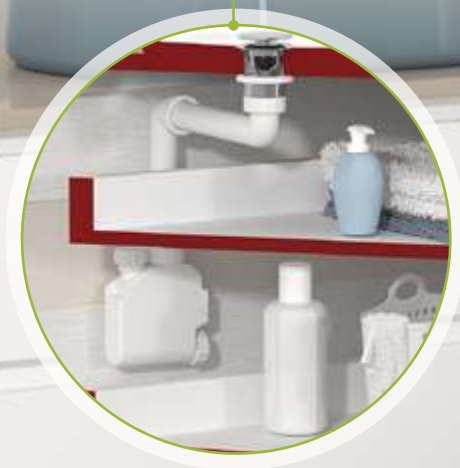
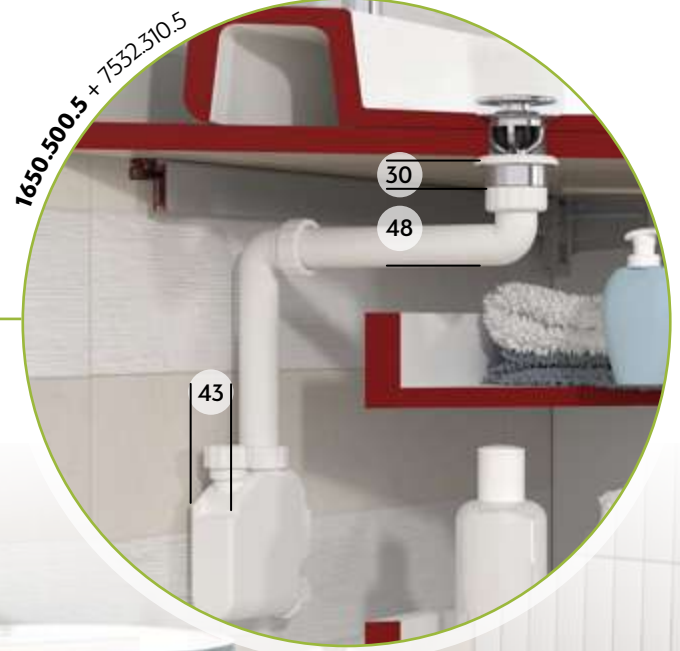
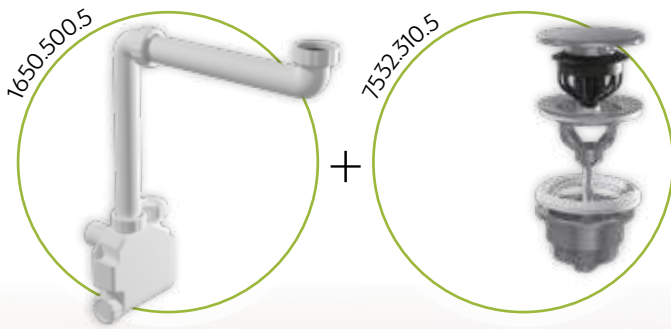


* NOTES

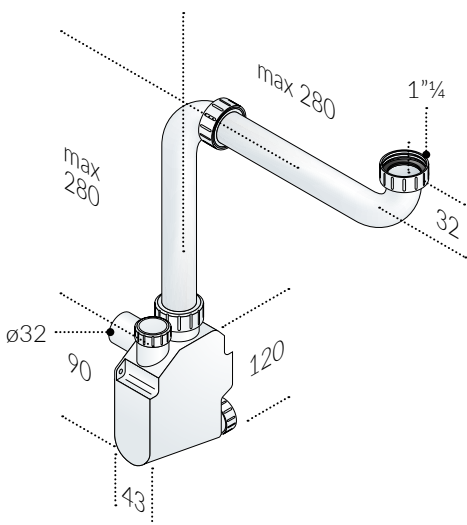
In the standard model, Squid does not have the waste included and has the following minimum dimensions:

- **wall encumbrance**, with direct connection to the wall, in total only 43 mm
- **under waste encumbrance**, only 48 mm in total from the waste to the lower limit of the horizontal inlet pipe

In the image, the trap is shown in combination with clicker waste 7532.310.5, in this case in order to calculate the total under waste encumbrance you must add 30 mm referring to the counter nut of the clicker.



a. 1650.500.5

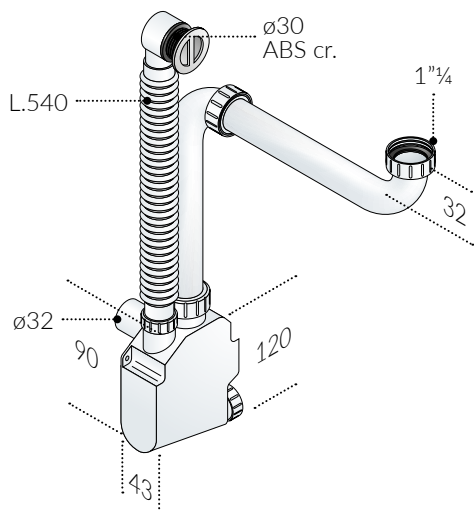


- inlet 280x280 x 1 1/4
- rigid connection
- without overflow connection
- without outlet pipe
- outlet ø32
- without flange

size	packaging	category
1 1/4 x ø32	16 - Q (box)	C03
50 mm 36 l/min	16 pcs.	



a. 1650.506.5

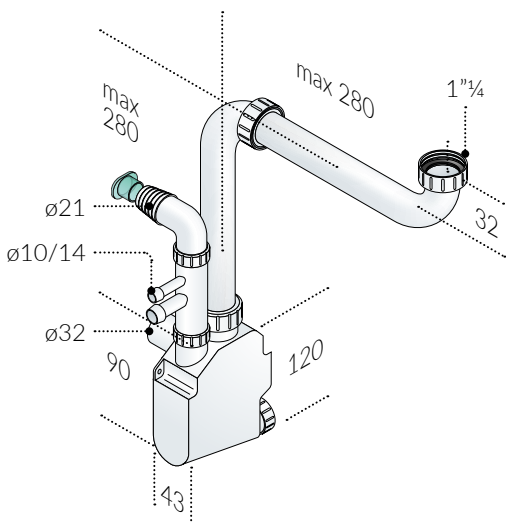


- inlet 280x280 x 1 1/4
- rigid connection
- with extensible overflow connection
- max tube length L. 540
- chrome plated ABS grid
- for ø30 holed
- without outlet pipe
- outlet ø32
- without flange

size	packaging	category
1 1/4 x ø32	16 - Q (box)	C03
50 mm 36 l/min	16 pcs.	



a. 1650.503.5



- inlet 280x280 x 1 1/4
- rigid connection
- without overflow connection
- with hose connection for conditioning-drops and dryer 1"xø10/14
- with hose connection for washing machine 1"xø21
- without outlet pipe
- outlet ø32
- without flange

size	packaging	category
1 1/4 x ø32	16 - Q (box)	C03
50 mm 36 l/min	16 pcs.	



SPARE PARTS / CONNECTIONS



For more accessories and connections see the following page

1657

Squid + Tea

minimum encumbrance ABS space-saver trap with waste

omp tea.eu



NOTES

The model with waste, includes in the box the item 7532.316.5 (c.p. brass click clack waste) and has the following minimum dimensions:

- **wall encumbrance**, with direct connection to the wall, in total only 43 mm
- **under waste encumbrance**, in total only 55 mm from the lower limit of the basin (or basin top) to that of the horizontal inlet pipe including ring nuts

The example image shows the total counter-wall and under-basin dimensions of the entire drain set, trap + waste.

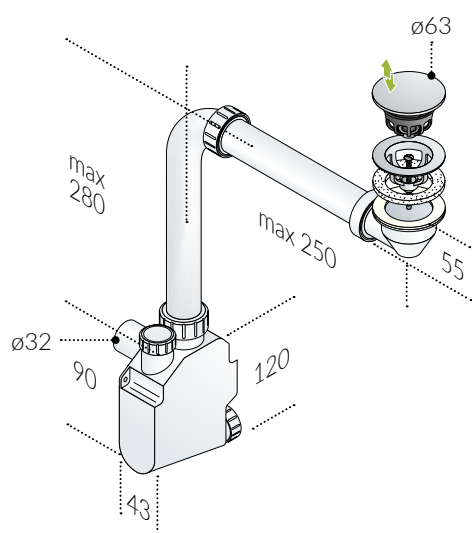
1650-500.5

7532-316.5

1657-500.5

55

43

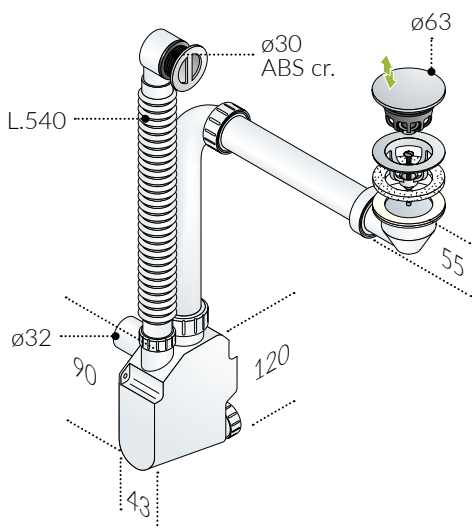


a. 1657.500.5

- with waste Tea 7532.316.5
- $\phi 63$ c.p. plug (automatic)
- H. 40 c.p. waste
- H. 55 ABS counter nut
- screw L. 35 and 60
- inlet $280 \times 250 \times 1\frac{1}{4}$
- rigid connection
- without overflow connection
- without outlet pipe
- outlet $\phi 32$
- without flange

size packaging category

$\phi 63 \times \phi 32$ 16 - Q (box) C03

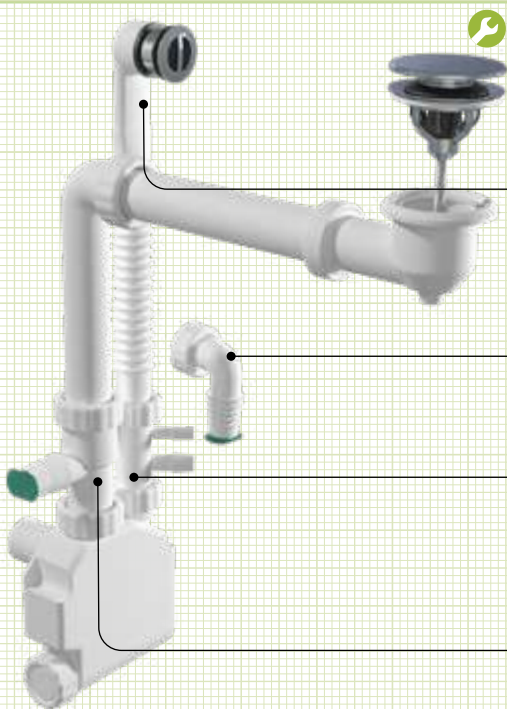


a. 1657.506.5

- with waste Tea 7532.316.5
- $\phi 63$ c.p. plug (automatic)
- H. 40 c.p. waste
- H. 55 ABS counter nut
- screw L. 35 and 60
- inlet $280 \times 250 \times 1\frac{1}{4}$
- rigid connection
- with extensible overflow connection
- max tube length L. 540
- chrome plated ABS grid
- for $\phi 30$ holed
- without outlet pipe
- outlet $\phi 32$
- without flange

size packaging category

$\phi 63 \times \phi 32$ 16 - Q (box) C03



ACCESSORIES

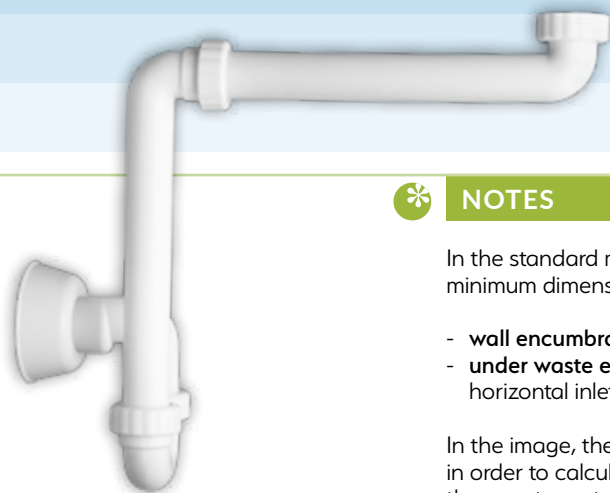
247.301.0
overflow connection L.540 max
with c.p. ABS overflow grid for holes $\phi 30$

2111.110.4
to be used individually without the condensate / dryer connection fitting or in combination with it, it precludes the connection to the overflow with additional conical gasket specific for Squid

2111.105.4
 $1\frac{1}{2} \times \phi 10/14$ removable condensate and dryer connect
on fitting supplied with closed inlet

2111.103.5
washing machine connection fitting $1\frac{1}{4} \times \phi 21$ removable and closable,
to be used in order not to preclude the connection to the overflow

PP space-saver traps



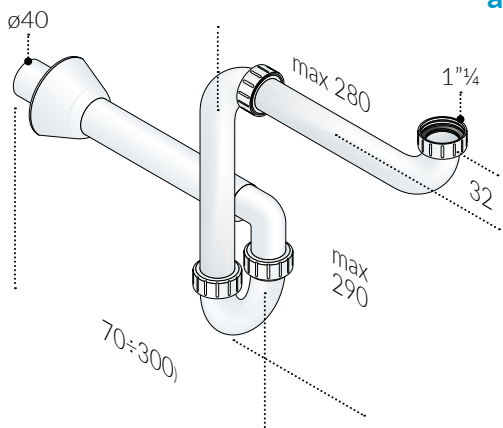
NOTES

In the standard models, without wastes included, the space-saver traps has the following minimum dimensions:

- **wall encumbrance**, minimum 85 mm
- **under waste encumbrance**, only 48 mm in total from the waste to the lower limit of the horizontal inlet pipe

In the image, the trap is shown in combination with clicker waste 7532.310.5, in this case in order to calculate the total under waste encumbrance you must add 30 mm referring to the counter nut of the clicker.





a. 2126.054.6

- inlet 280x280 x 1 1/4"
- rigid connection
- outlet L. 300 x 40
- PP flange 78

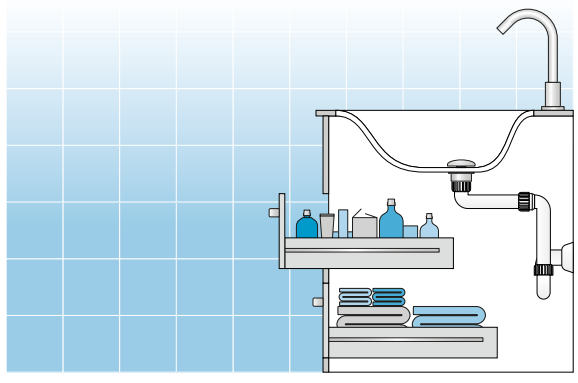
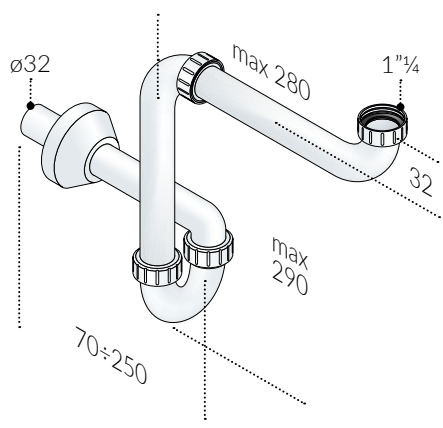
size	packaging	category
1 1/4 x 40	15 - B (bag)	C03



b. 2126.054.5

- inlet 280x280 x 1 1/4"
- rigid connection
- outlet L. 250 x 32
- PP flange 78

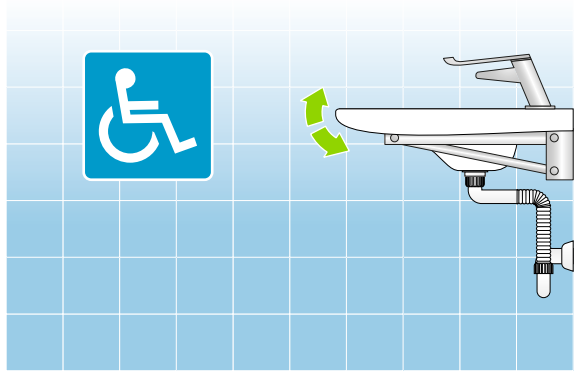
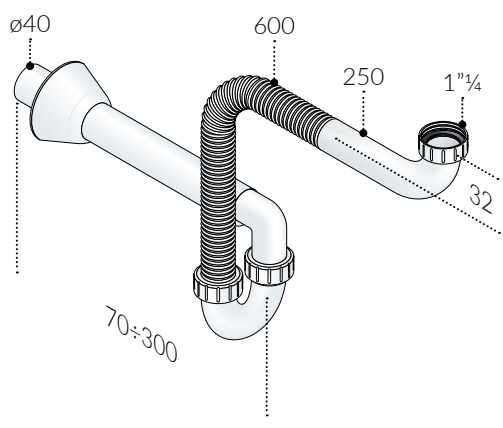
size	packaging	category
1 1/4 x 32	15 - B (bag)	C03



a. 2126.554.6

- inlet 600+250 x 1 1/4"
- flexible connection
- outlet L. 300 x 40
- PP flange 78

size	packaging	category
1 1/4 x 40	15 - B (bag)	C03

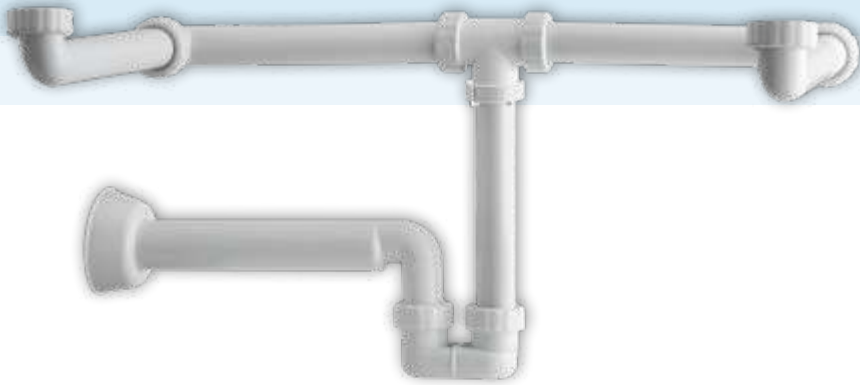


2122

new

Mosquito 2

PP trap for double washbasin



a. 2122.054.6

- inlet 540x280 × 1 1/4
- inlet pipe H.200 × 1 1/4
- outlet L. 300 × ø40
- PP flange ø78

size

1 1/4 × ø40



50 mm



47 l/min

packaging

15 - Q (bag)

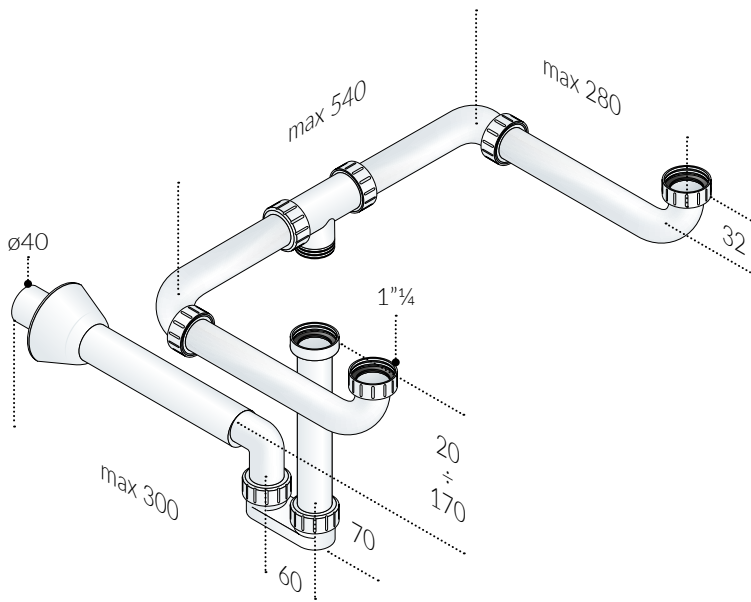


15 pcs.



category

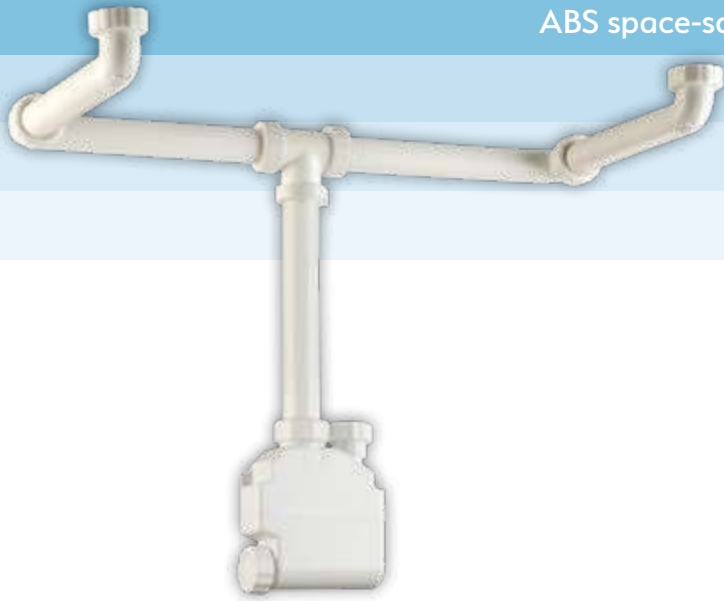
C03



1652 Squid 2

new

ABS space-saver trap for double washbasin



a. 1652.500.5

- inlet 540x280 × 1"¼
- inlet pipe H.200 × 1"¼
- without overflow connection
- without outlet pipe
- outlet ø32
- without flange

size

1"¼ × ø32

packaging

10 - A (box)

category

C03



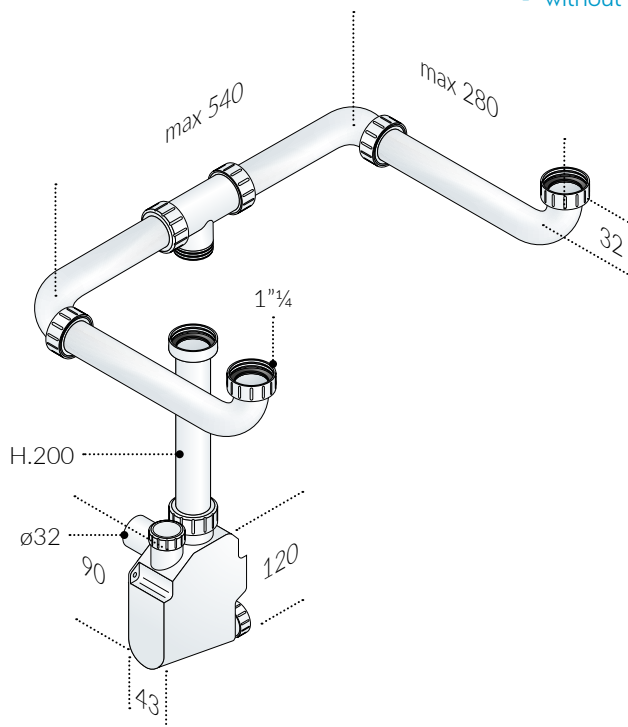
50 mm



36 l/min



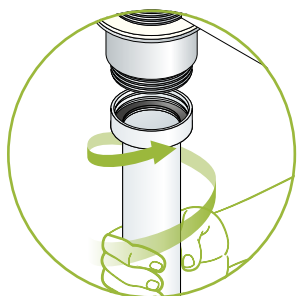
10 pcs.



NOTES

With white PP inlet pipe H. 200

- 1"¼ thread integrated to the inlet pipe
- to ease the installation also in those case of restricted accessibility like bidet installation





Sink

- Pic nic -
- Punnet -
- other PP or brass wastes -
- brass stand pipe waste -
- Orchid - new
- Praktik -
- Eurotrap -
- other PP bottle traps -
- other brass bottle traps -





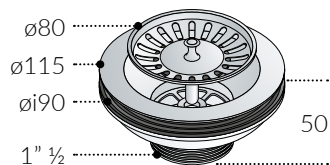
02



133

Pic nic

PP basket waste for $\phi 90$ sink holed



a. 133.505.6

- s/steel basket grid $\phi 80$
- s/steel plate $\phi 115$
- without overflow
- screw L. 30

size

$\phi 115 \times 1\frac{1}{2}$

packaging

15 - l (bag)

category

C05



b. 133.555.6

- s/steel basket grid $\phi 80$
- s/steel plate $\phi 115$
- without overflow
- screw L. 65

size

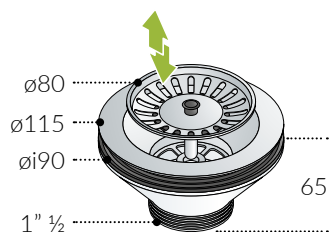
$\phi 115 \times 1\frac{1}{2}$

packaging

15 - l (bag)

category

C05



a. 133.535.6

- s/steel basket grid $\phi 80$
(automatic)
- s/steel plate $\phi 115$
- without overflow
- screw L. 30

size

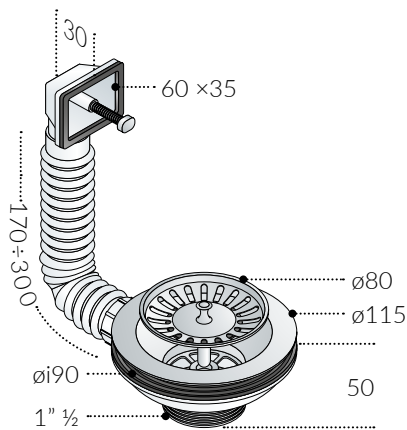
$\phi 115 \times 1\frac{1}{2}$

packaging

15 - l (bag)

category

C05



a. 133.605.6

- s/steel basket grid $\phi 80$
- s/steel plate $\phi 115$
- rectangular overflow 60x35
- without overflow grid
- flexible connection L. 300
- screw L. 30

size

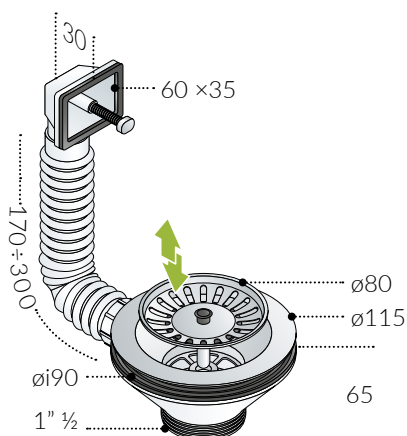
$\phi 115 \times 1\frac{1}{2}$

packaging

10 - l (bag)

category

C05



a. 133.635.6

- s/steel basket grid $\phi 80$
(automatic)
- s/steel plate $\phi 115$
- rectangular overflow 60x35
- without overflow grid
- flexible connection L. 300
- screw L. 30

size

$\phi 115 \times 1\frac{1}{2}$

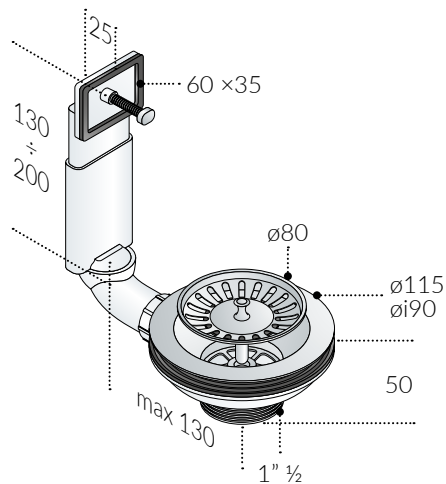
packaging

10 - l (bag)

category

C05





a. 133.705.6

- s/steel basket grid ø80
- s/steel plate ø115
- rectangular overflow 60x35
- without overflow grid
- rigid connection 200x130
- screw L. 30

size

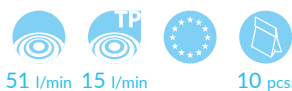
ø115 × 1 1/2

packaging

10 - l (bag)

category

C05



a. 133.405.6

- s/steel basket grid ø80
- s/steel plate ø115
- round overflow for ø30 holed
- c.p. ABS overflow grid ø37
- flexible connection L. 300
- screw L. 30

size

ø115 × 1 1/2

packaging

10 - l (bag)

category

C05



b. 133.455.6

- s/steel basket grid ø80
- s/steel plate ø115
- round overflow for ø30 holed
- c.p. ABS overflow grid ø37
- flexible connection L. 300
- screw L. 65

size

ø115 × 1 1/2

packaging

10 - l (bag)

category

C05



a. 133.305.6

- s/steel basket grid ø80
- s/steel plate ø115
- round overflow for ø30 holed
- c.p. ABS overflow grid ø37
- rigid connection 160x110
- screw L. 30

size

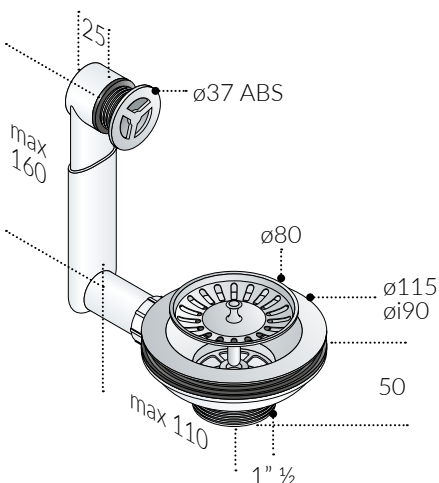
ø115 × 1 1/2

packaging

10 - l (bag)

category

C05



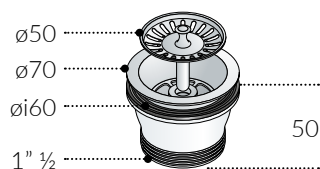
SPARE PARTS / BASKET GRID



137.070.0

For more informations see page ***

Punnet

PP basket waste for $\phi 60$ sink holed

a. 132.505.6

- s/steel basket grid $\phi 50$
- s/steel plate $\phi 70$
- without overflow
- screw L. 30

size

 $\phi 70 \times 1\frac{1}{2}$

packaging

15 - l (bag)

category

C05



42 l/min



15 pcs.



a. 132.605.6

- s/steel basket grid $\phi 50$
- s/steel plate $\phi 70$
- rectangular overflow 60×35
- without overflow grid
- flexible connection L. 300
- screw L. 30

size

 $\phi 70 \times 1\frac{1}{2}$

packaging

10 - l (bag)

category

C05



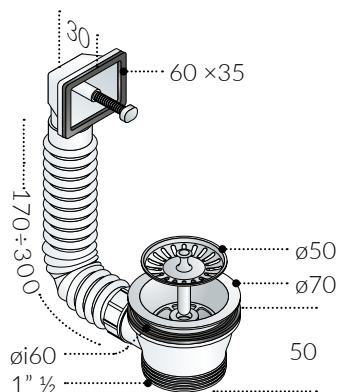
42 l/min



15 l/min



10 pcs.



a. 132.405.6

- s/steel basket grid $\phi 50$
- s/steel plate $\phi 70$
- round overflow for $\phi 30$ holed
- c.p. ABS overflow grid $\phi 37$
- flexible connection L. 300
- screw L. 30

size

 $\phi 70 \times 1\frac{1}{2}$

packaging

10 - l (bag)

category

C05



42 l/min

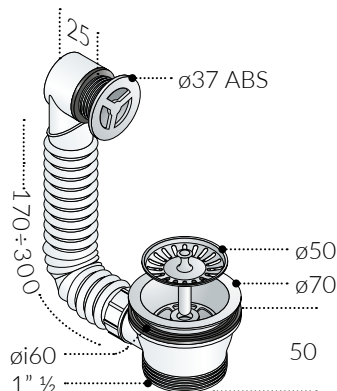


15 l/min



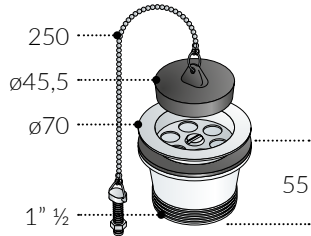
10 pcs.

new





PP wastes for $\phi 60$ sink holed



a. 232.540.6

- plug with ball-chain and stay ($\phi 45,5$)
- s/steel plate $\phi 70$
- without overflow
- PP valve bottom H.50 x 1"½
- screw L. 35

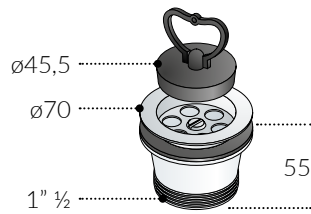
size packaging category

$\phi 70 \times 1" \frac{1}{2}$ 30 - T (bag) C05



SPARE PARTS / PLUG

120.112.6
For more informations see page ***



b. 232.530.6

- plug with handle ($\phi 45,5$)
- s/steel plate $\phi 70$
- without overflow
- PP valve bottom H.50 x 1"½
- screw L. 35

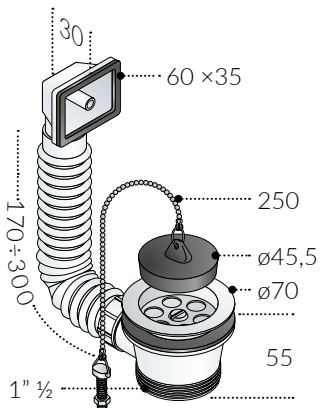
size packaging category

$\phi 70 \times 1" \frac{1}{2}$ 30 - T (bag) C05



SPARE PARTS / PLUG

120.170.6
For more informations see page ***

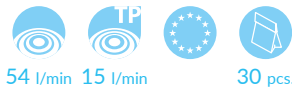


a. 232.840.6

- plug with ball-chain and stay ($\phi 45,5$)
- s/steel plate $\phi 70$
- rectangular overflow 60x35
- without overflow grid
- flexible connection L. 300
- PP valve bottom H.50 x 1"½
- screw L. 35

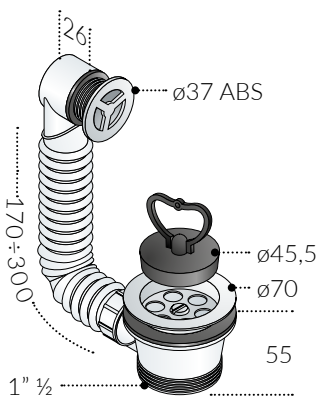
size packaging category

$\phi 70 \times 1" \frac{1}{2}$ 30 - W (bag) C05



SPARE PARTS / PLUG

120.112.6
For more informations see page ***

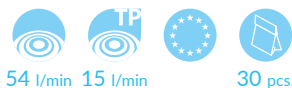


a. 232.833.6

- plug with handle ($\phi 45,5$)
- s/steel plate $\phi 70$
- round overflow for $\phi 30$ holed
- c.p. ABS overflow grid $\phi 37$
- flexible connection L. 300
- PP valve bottom H.50 x 1"½
- screw L. 35

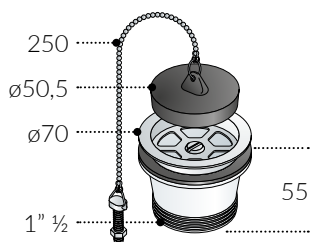
size packaging category

$\phi 70 \times 1" \frac{1}{2}$ 30 - W (bag) C05



SPARE PARTS / PLUG

120.170.6
For more informations see page ***

**a. 234.540.6**

size

packaging

category

- plug with ball-chain and stay ($\phi 50,5$)
- s/steel plate $\phi 70$
- without overflow
- PP valve bottom H.50 x 1"½
- screw L. 35

 $\phi 70 \times 1" \frac{1}{2}$

30 - T (bag)

C05



54 l/min

30 pcs.

**a. 234.640.6**

size

packaging

category

- plug with ball-chain and stay ($\phi 50,5$)
- s/steel plate $\phi 70$
- rectangular overflow 60x35
- without overflow grid
- rigid connection 200x130
- PP valve bottom H.50 x 1"½
- screw L. 35

 $\phi 70 \times 1" \frac{1}{2}$

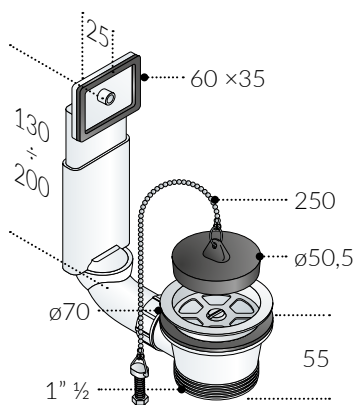
30 - B (bag)

C05



54 l/min 17 l/min

30 pcs.

**a. 234.641.6**

size

packaging

category

- plug with ball-chain and stay ($\phi 50,5$)
- s/steel plate $\phi 70$
- rectangular overflow 60x35
- s/steel overflow grid 63x37
- rigid connection 200x130
- PP valve bottom H.50 x 1"½
- screw L. 35

 $\phi 70 \times 1" \frac{1}{2}$

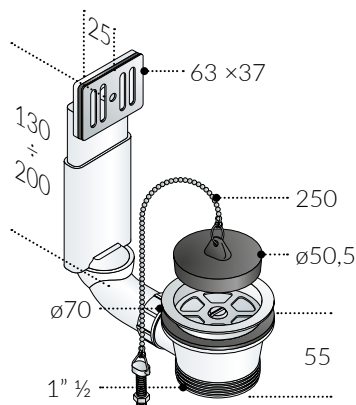
30 - B (bag)

C05



54 l/min 17 l/min

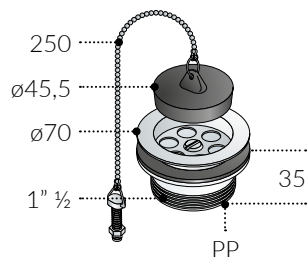
30 pcs.



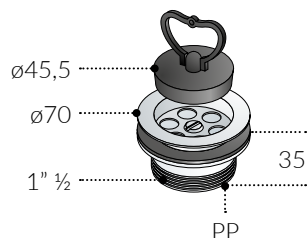


...

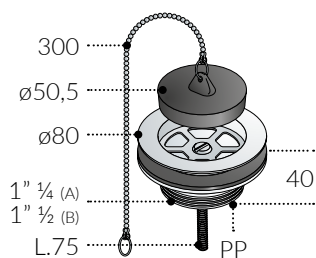
PP wastes for $\phi 60$ sink holed



a. 232.545.6	size	packaging	category
<ul style="list-style-type: none"> - plug with ball-chain and stay ($\phi 45,5$) - s/steel plate $\phi 70$ - without overflow - PP valve bottom H.30 x 1"½ - screw L. 35 	$\phi 70 \times 1" \frac{1}{2}$	30 - T (bag)	C05
	66 l/min 30 pcs.		
		SPARE PARTS / PLUG	120.112.6

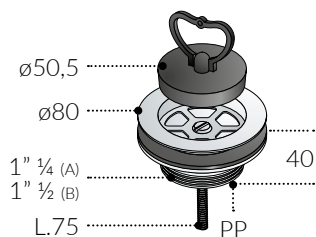


b. 232.535.6	size	packaging	category
<ul style="list-style-type: none"> - plug with handle ($\phi 45,5$) - s/steel plate $\phi 70$ - without overflow - PP valve bottom H.30 x 1"½ - screw L. 35 	$\phi 70 \times 1" \frac{1}{2}$	30 - T (bag)	C05
	66 l/min 30 pcs.		
		SPARE PARTS / PLUG	120.170.6



a. 234.625.5	size	packaging	category
<ul style="list-style-type: none"> - plug with ball-chain and ring ($\phi 50,5$) - s/steel plate $\phi 80$ - PP valve bottom H.35 x 1"¼ - screw L. 75 	$\phi 80 \times 1" \frac{1}{4}$	60 - T (bag)	C05
	48 l/min 60 pcs.		

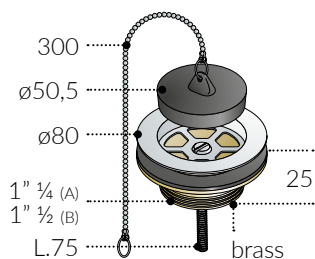
b. 234.625.6	size	packaging	category
<ul style="list-style-type: none"> - plug with ball-chain and ring ($\phi 50,5$) - s/steel plate $\phi 80$ - PP valve bottom H.35 x 1"½ - screw L. 75 	$\phi 80 \times 1" \frac{1}{2}$	60 - T (bag)	C05
	59 l/min 60 pcs.		
		SPARE PARTS / PLUG	120.112.0



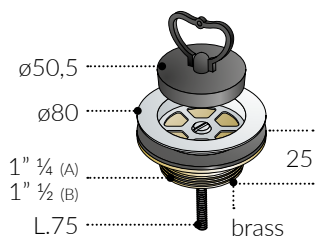
a. 234.635.5	size	packaging	category
<ul style="list-style-type: none"> - plug with handle ($\phi 50,5$) - s/steel plate $\phi 80$ - PP valve bottom H.35 x 1"¼ - screw L. 75 	$\phi 80 \times 1" \frac{1}{4}$	60 - T (bag)	C05
	48 l/min 60 pcs.		

b. 234.635.6	size	packaging	category
<ul style="list-style-type: none"> - plug with handle ($\phi 50,5$) - s/steel plate $\phi 80$ - PP valve bottom H.35 x 1"½ - screw L. 75 	$\phi 80 \times 1" \frac{1}{2}$	60 - T (bag)	C05
	59 l/min 60 pcs.		
		SPARE PARTS / PLUG	120.170.7

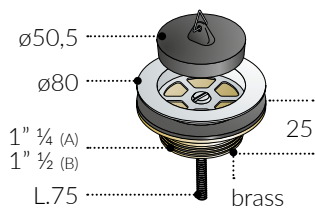


brass wastes for $\phi 60$ sink holed

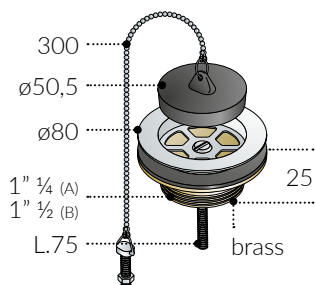
a.	34.625.5	size	packaging	category
	<ul style="list-style-type: none"> - plug with ball-chain and ring ($\phi 50,5$) - s/steel plate $\phi 80$ - brass valve bottom H.20 \times 1" $\frac{1}{4}$ - screw L. 75 	$\phi 80 \times 1" \frac{1}{4}$	50 - W (box)	C04
		54 l/min 50 pcs.		
b.	34.625.6	size	packaging	category
	<ul style="list-style-type: none"> - plug with ball-chain and ring ($\phi 50,5$) - s/steel plate $\phi 80$ - brass valve bottom H.20 \times 1" $\frac{1}{2}$ - screw L. 75 	$\phi 80 \times 1" \frac{1}{2}$	50 - W (box)	C04
		62 l/min 50 pcs.		
SPARE PARTS / PLUG				120.112.0



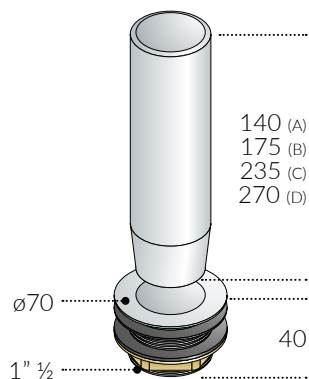
a.	34.635.5	size	packaging	category
	<ul style="list-style-type: none"> - plug with handle ($\phi 50,5$) - s/steel plate $\phi 80$ - brass valve bottom H.20 \times 1" $\frac{1}{4}$ - screw L. 75 	$\phi 80 \times 1" \frac{1}{4}$	50 - W (box)	C04
		54 l/min 50 pcs.		
b.	34.635.6	size	packaging	category
	<ul style="list-style-type: none"> - plug with handle ($\phi 50,5$) - s/steel plate $\phi 80$ - brass valve bottom H.20 \times 1" $\frac{1}{2}$ - screw L. 75 	$\phi 80 \times 1" \frac{1}{2}$	50 - W (box)	C04
		62 l/min 50 pcs.		
SPARE PARTS / PLUG				120.170.7



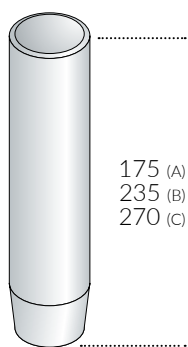
a.	34.615.5	size	packaging	category
	<ul style="list-style-type: none"> - plug with triangle ($\phi 50,5$) - s/steel plate $\phi 80$ - brass valve bottom H.20 \times 1" $\frac{1}{4}$ - screw L. 75 	$\phi 80 \times 1" \frac{1}{4}$	50 - W (box)	C04
		54 l/min 50 pcs.		
b.	34.615.6	size	packaging	category
	<ul style="list-style-type: none"> - plug with triangle ($\phi 50,5$) - s/steel plate $\phi 80$ - brass valve bottom H.20 \times 1" $\frac{1}{2}$ - screw L. 75 	$\phi 80 \times 1" \frac{1}{2}$	50 - W (box)	C04
		62 l/min 50 pcs.		
SPARE PARTS / PLUG				120.120.7



a.	34.645.5	size	packaging	category
	<ul style="list-style-type: none"> - plug with ball-chain and stay ($\phi 50,5$) - s/steel plate $\phi 80$ - brass valve bottom H.20 \times 1" $\frac{1}{4}$ - screw L. 75 	$\phi 80 \times 1" \frac{1}{4}$	50 - W (box)	C04
		54 l/min 50 pcs.		
b.	34.645.6	size	packaging	category
	<ul style="list-style-type: none"> - plug with ball-chain and stay ($\phi 50,5$) - s/steel plate $\phi 80$ - brass valve bottom H.20 \times 1" $\frac{1}{2}$ - screw L. 75 	$\phi 80 \times 1" \frac{1}{2}$	50 - W (box)	C04
		62 l/min 50 pcs.		



a.	140.416.6	size	packaging	category
	<ul style="list-style-type: none"> - stand pipe H. 140 - H. 40 × 1 1/2 threaded shaft - H. 8 counter nut - unslotted 	H.140 × 1 1/2	50 - C (bag)	C15
		59 l/min	50 pcs.	
b.	140.436.6	size	packaging	category
	<ul style="list-style-type: none"> - stand pipe H. 175 - H. 40 × 1 1/2 threaded shaft - H. 8 counter nut - unslotted 	H.175 × 1 1/2	50 - C (bag)	C15
		59 l/min	50 pcs.	
c.	140.456.6	size	packaging	category
	<ul style="list-style-type: none"> - stand pipe H. 235 - H. 40 × 1 1/2 threaded shaft - H. 8 counter nut - unslotted 	H.235 × 1 1/2	50 - C (bag)	C15
		59 l/min	50 pcs.	
d.	140.466.6	size	packaging	category
	<ul style="list-style-type: none"> - stand pipe H. 270 - H. 40 × 1 1/2 threaded shaft - H. 8 counter nut - unslotted 	H.270 × 1 1/2	50 - C (bag)	C15
		59 l/min	50 pcs.	



a.	139.436.6	size	packaging	category
	<ul style="list-style-type: none"> - stand pipe H. 175 	H.175	80 - C (bag)	C08
		80 pcs.		
b.	139.456.6	size	packaging	category
	<ul style="list-style-type: none"> - stand pipe H. 235 	H.235	80 - C (bag)	C08
		80 pcs.		
c.	139.466.6	size	packaging	category
	<ul style="list-style-type: none"> - stand pipe H. 270 	H.270	80 - C (bag)	C08
		80 pcs.		

1750

new

Orchid 1

minimum encumbrance ABS space-saver trap for single sink



* NOTES

- wall encumbrance, maximum 65 mm
- under waste encumbrance, 70 mm in total from the waste to the lower limit of the horizontal inlet pipe (waste encumbrance excluded)



a. 1750.501.6

size

packaging

category

- inlet 250x250 x 1 1/2"
- 1 hose connection
- without outlet pipe
- outlet ø40
- without flange

1 1/2" x ø40

10 - Q (box)

C03



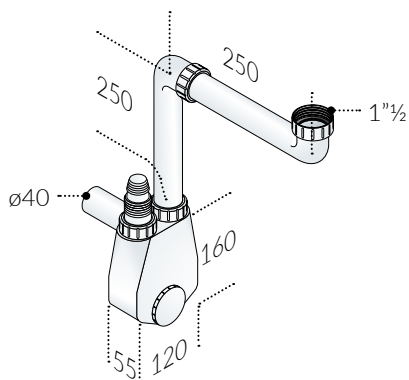
50 mm



64 l/min



10 pcs.



1752

new

Orchid 2

minimum encumbrance ABS space-saver trap for double sink



* NOTES

- wall encumbrance, maximum 65 mm
- under waste encumbrance, 70 mm in total from the waste to the lower limit of the horizontal inlet pipe (waste encumbrance excluded)



a. 1752.501.6

- inlet 180x250 x 1 1/2"
- 1 hose connection
- without outlet pipe
- outlet ø40
- without flange

size

1 1/2" x ø40

packaging

10 - Q (box)

category

C03



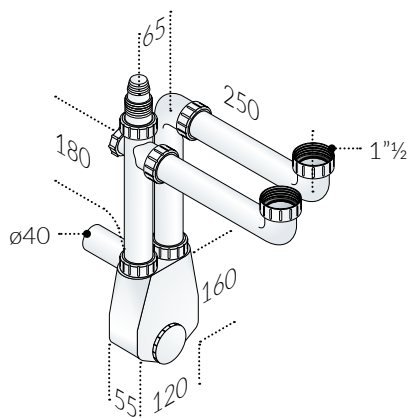
50 mm



64 l/min



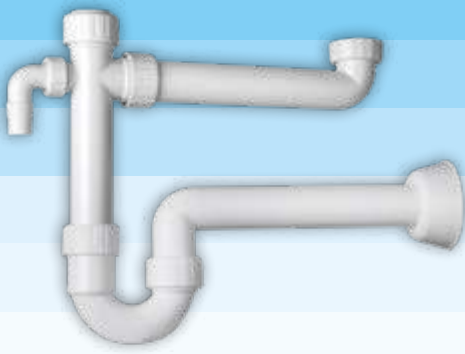
10 pcs.



2011

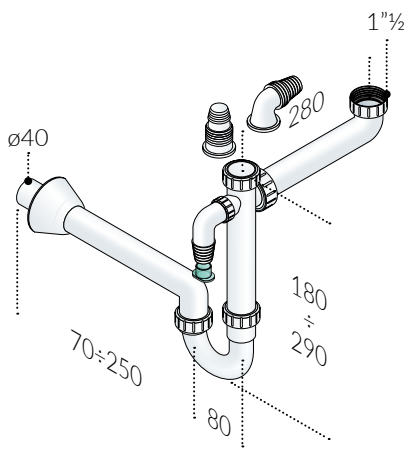
Praktik 1

reduced encumbrance PP trap for single sink



* NOTES

- wall encumbrance, minimum 90 mm (wall flange included)
- under waste encumbrance, 70 mm in total from the waste to the lower limit of the horizontal inlet pipe (waste encumbrance excluded)



a. 2011.454.6

- inlet 250x250 x 1 1/2
- 2 hose connections
- outlet L. 250 x ø40
- PP flange ø78

size

1 1/2 x ø40



60 mm



56 l/min

packaging

10 - A (box)



10 pcs.

category

C03



SPARE PARTS / BRASS CAPILLARY FITTINGS



Series 101

To connect to the old lead pipes, it is possible to combine the brass capillary fittings. For more informations see page ***



2012 Praktik 2

reduced encumbrance PP trap for double sink



NOTES

- wall encumbrance, minimum 90 mm (wall flange included)
- under waste encumbrance, 70 mm in total from the waste to the lower limit of the horizontal inlet pipe (waste encumbrance excluded)



a. 2012.454.6

- inlet 250x250 x 1 1/2"
- 2 hose connections
- outlet L. 250 x ø40
- PP flange ø78

size

1 1/2" x ø40



60 mm 67 l/min

packaging

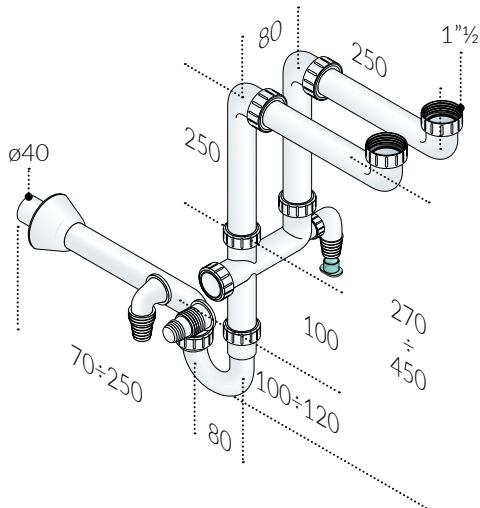
10 - Q (box)



10 pcs.

category

C03



SPARE PARTS / BRASS CAPILLARY FITTINGS

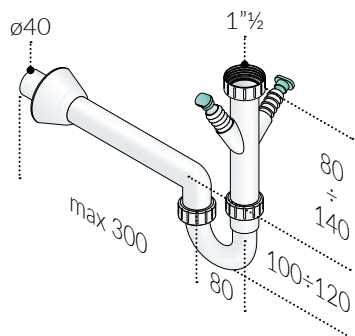
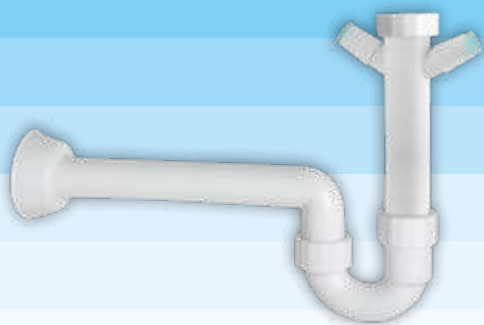


Series 101

To connect to the old lead pipes, it is possible to combine the brass capillary fittings
For more informations see page ***

Eurotrap 1

PP trap for single sink



a. 226.754.6

- inlet H. 170 × 1½"
- 2 hose connections
- outlet L. 300 × ø40
- PP flange ø78

size

1½" × ø40

packaging

30 - Q (bag)

category

C03



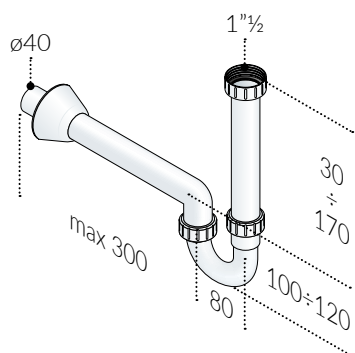
60 mm



65 l/min



30 pcs.



b. 226.454.6

- inlet H. 200 × 1½"
- without hose connections
- outlet L. 300 × ø40
- PP flange ø78

size

1½" × ø40

packaging

30 - Q (bag)

category

C03



60 mm

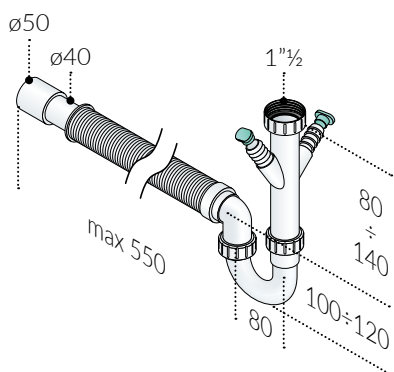


65 l/min



30 pcs.

new



a. 226.747.8

- inlet H. 170 × 1½"
- 2 hose connections
- flexible outlet
L. 550 × ø40/50
- without flange

size

1½" × ø40/50

packaging

25 - Q (bag)

category

C03



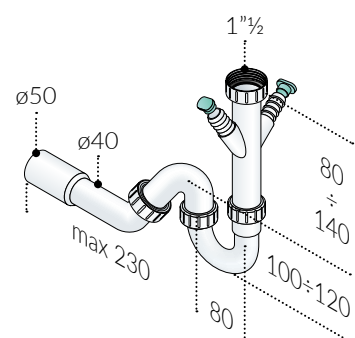
60 mm



65 l/min



25 pcs.



a. 226.708.8

- inlet H. 170 × 1½"
- 2 hose connections
- universal outlet
L. 230 × ø40/50
- without flange

size

1½" × ø40/50

packaging

30 - Q (bag)

category

C03



60 mm



65 l/min



30 pcs.



SPARE PARTS / BRASS CAPILLARY FITTINGS

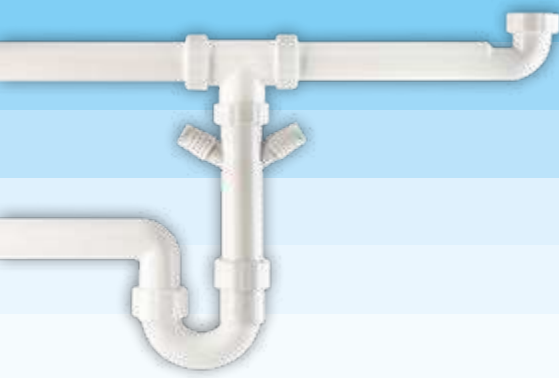


Series 101

To connect to the old lead pipes, it is possible to combine the brass capillary fittings
For more informations see page ***

Eurotrap 2

PP trap for double sink



a. 228.654.6	size	packaging	category
--------------	------	-----------	----------

- inlet 170x580 x 1½"
- 2 hose connections
- outlet L. 300 x ø40
- PP flange ø78

1½ x ø40

15 - Q (bag)

C03



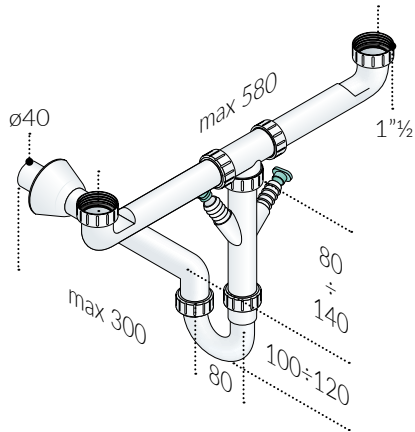
60 mm



67 l/min



15 pcs.



b. 228.254.6	size	packaging	category
--------------	------	-----------	----------

- inlet 200x580 x 1½"
- without hose connections
- outlet L. 300 x ø40
- PP flange ø78

1½ x ø40

15 - Q (bag)

C03



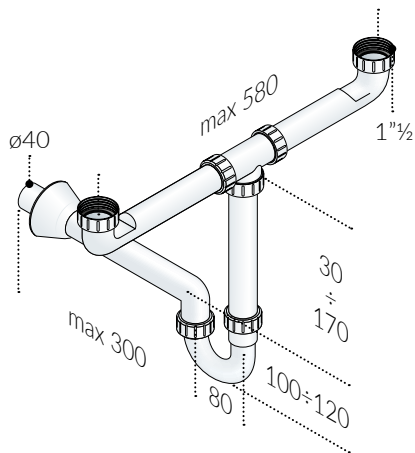
60 mm



67 l/min



15 pcs.



SPARE PARTS / BRASS CAPILLARY FITTINGS

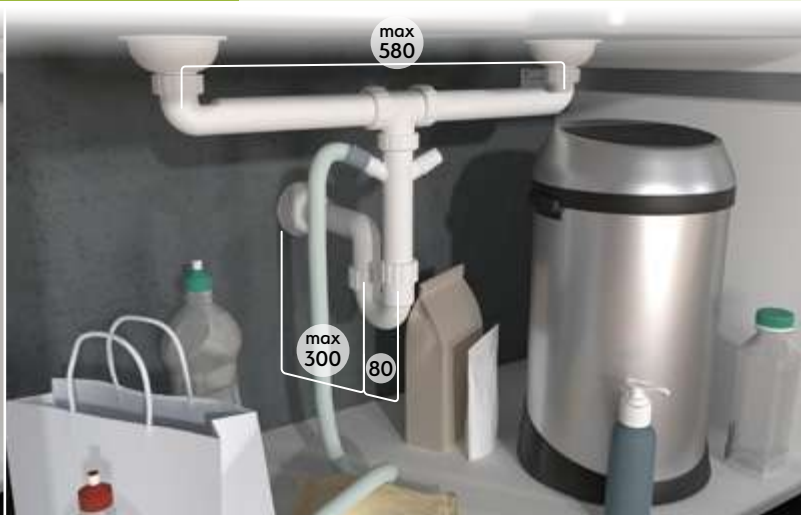


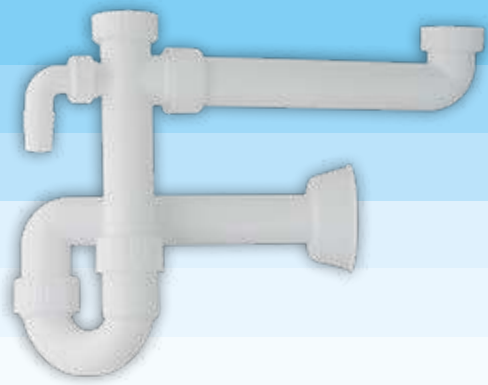
Series 101

To connect to the old lead pipes, it is possible to combine the brass capillary fittings
For more informations see page ***



NOTES

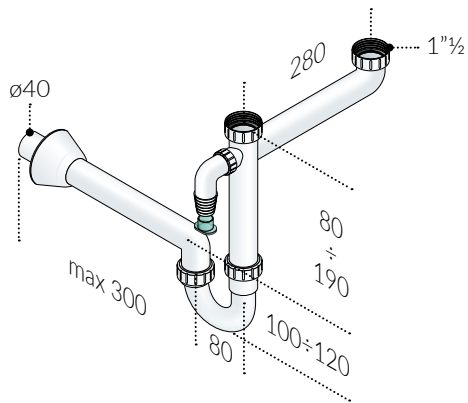




227

Eurotrap 2

PP trap for double sink



a. 227.754.6

- inlet 200×280 × 1 1/2
- 1 hose connection
- outlet L. 300 × ø40
- PP flange ø78

size

1 1/2 × ø40

packaging

15 - C (bag)

category

C03



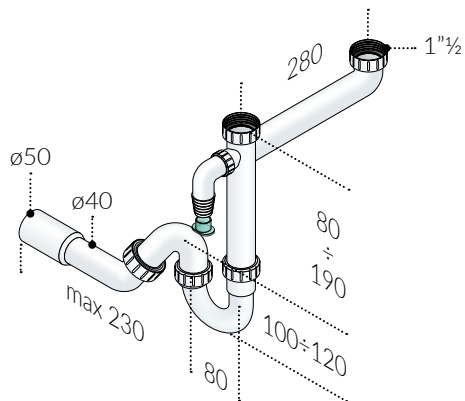
60 mm



67 l/min



15 pcs.



a. 227.708.8

- inlet 200×280 × 1 1/2
- 1 hose connection
- universal outlet L. 230 × ø40/50
- without flange

size

1 1/2 × ø40/50

packaging

15 - C (bag)

category

C03



60 mm



67 l/min



15 pcs.



SPARE PARTS / BRASS CAPILLARY FITTINGS

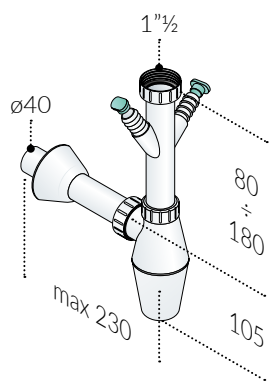
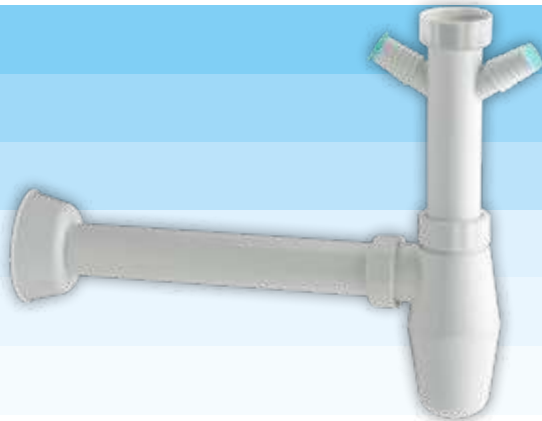


Series 101

To connect to the old lead pipes, it is possible to combine the brass capillary fittings
For more informations see page ***

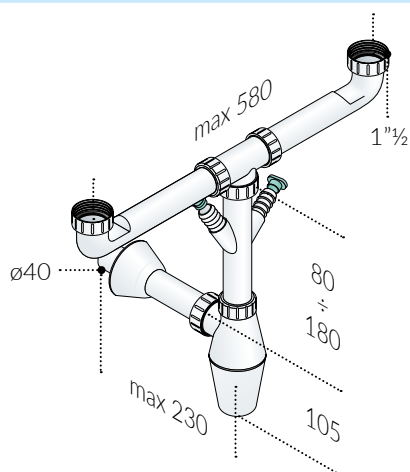
3215 + 3216

PP bottle traps for single and double sink



a. 3215.744.6	size	packaging	category
<ul style="list-style-type: none"> - for single sink - inlet H. 170 × 1"½ - 2 hose connections - outlet L. 200 × ø40 - PP flange ø78 	1"½ × ø40	30 - C (bag)	C03
	60 mm 55 l/min 30 pcs.		

b. 3215.804.6	size	packaging	category
<ul style="list-style-type: none"> - for single sink - inlet H. 170 × 1"½ - 2 hose connections - without outlet pipe - outlet ø40 - without flange 	1"½ × ø40	60 - A (bag)	C03
	60 mm 55 l/min 60 pcs.		



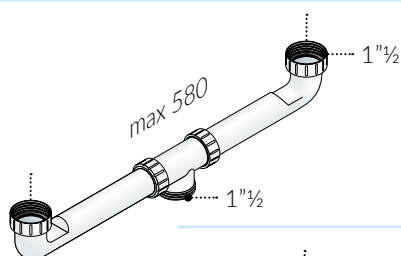
a. 3216.744.6	size	packaging	category
<ul style="list-style-type: none"> - for double sink - inlet 170×580 × 1"½ - 2 hose connections - outlet L. 200 × ø40 - PP flange ø78 	1"½ × ø40	20 - Q (bag)	C03
	60 mm 62 l/min 20 pcs.		

SPARE PARTS / BRASS CAPILLARY FITTINGS

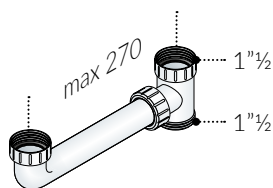


Series 101

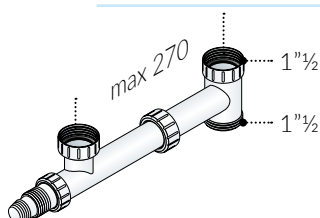
To connect to the old lead pipes, it is possible to combine the brass capillary fittings. For more informations see page ***



a. 214.654.6	size	packaging	category
<ul style="list-style-type: none"> - PP set for double sink - max length 580 - inlet 1"½ - outlet 1"½ 	1"½ × 1"½	20 - B (bag)	C10
	20 pcs.		



b. 2414.234.6	size	packaging	category
<ul style="list-style-type: none"> - PP set for double sink - max length 270 - inlet 1"½ - outlet 1"½ 	1"½ × 1"½	30 - B (bag)	C10
	30 pcs.		

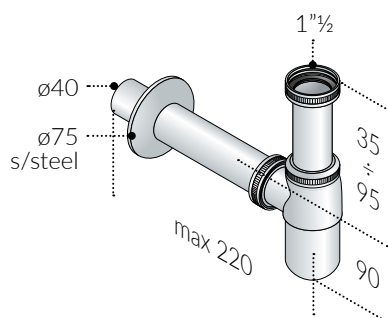
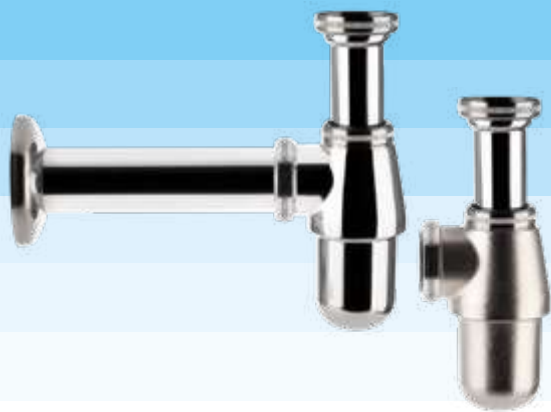


c. 2414.334.6	size	packaging	category
<ul style="list-style-type: none"> - PP set for double sink - telescopic arm, max length 270 - with hose connection - inlet 1"½ - outlet 1"½ 	1"½ × 1"½	30 - B (bag)	C10
	30 pcs.		

19

Lux sink

chrome plated brass bottle trap for sink



a. 19.212.6

- inlet H. 75 × 1 1/2
- outlet L. 190 × ø40
- s/steel flange ø75

size

1 1/2 × ø40

packaging

30 - B (box)

category

C01



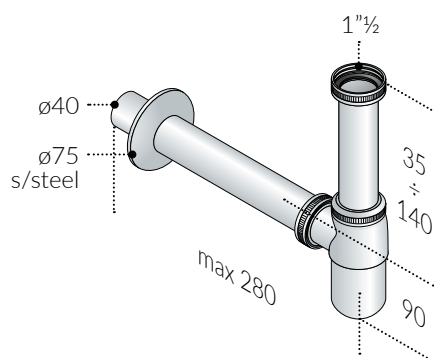
50 mm



58 l/min



30 pcs.



a. 19.422.6

- inlet H. 120 × 1 1/2
- outlet L. 250 × ø40
- s/steel flange ø75

size

1 1/2 × ø40

packaging

30 - C (box)

category

C01



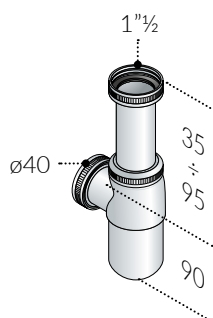
50 mm



58 l/min



30 pcs.



a. 19.200.6

- inlet H. 75 × 1 1/2
- without outlet pipe
- outlet ø40
- without flange

size

1 1/2 × ø40

packaging

30 - B (box)

category

C01



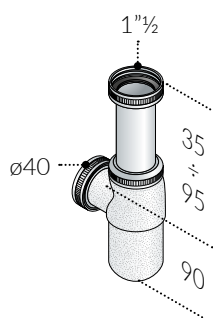
50 mm



58 l/min



30 pcs.



b. 19.200.6.1

- in raw nickel plated brass
- inlet H. 75 × 1 1/2
- without outlet pipe
- outlet ø40
- without flange

size

1 1/2 × ø40

packaging

30 - B (box)

category

C01



50 mm



58 l/min



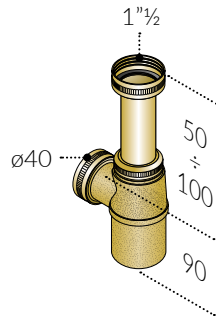
30 pcs.





...

mat raw brass bottle trap for sink

**a. 149.405.6.4**

- in mat raw brass
- inlet H. 80 × 1 1/2
- without outlet pipe
- outlet $\phi 40$
- without flange

size

1 1/2 × $\phi 40$

packaging

30 - O (box)

category

C01



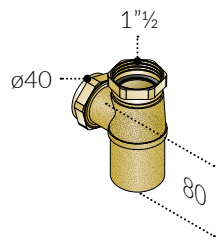
40 mm



38 l/min



30 pcs.

**a. 149.505.6.4**

- in mat raw brass
- without inlet pipe
- inlet 1 1/2
- without outlet pipe
- outlet $\phi 40$
- without flange
- with brass hexagonal nuts

size

1 1/2 × $\phi 40$

packaging

30 - O (box)

category

C01



40 mm



38 l/min



30 pcs.





Shower tray

- Vega -
- Vega evo -
- Aloha -
- Altair -
- Auva mini -
- Auva slick - new
- Concita - new
- Albireo -
- Wei -
- Vega mini + Naos -
- Gienah -
- Sadr P -
- Sadr S -
- other brass and plastic wastes -



for the sanitary ware image, special thanks to
technova



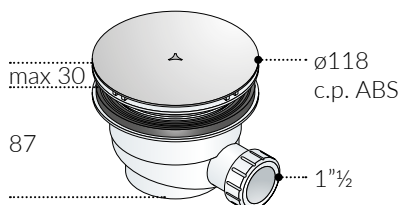
03



5261 + 5258

Vega

PP trapped waste for $\phi 90$ holed tray



a. 5261.076.6

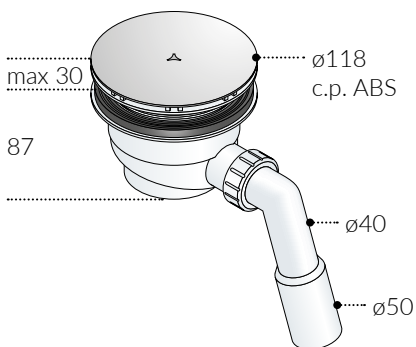
- c.p. ABS grid $\phi 118$
- POM flange $\phi 115$
- lateral outlet $1\frac{1}{2}$
- room under shower tray 87

size packaging category

$\phi 118 \times 1\frac{1}{2}$ 16 - B (box) C06



50 mm 27 l/min 16 pcs.



b. 5261.078.8

- c.p. ABS grid $\phi 118$
- POM flange $\phi 115$
- lateral outlet $1\frac{1}{2}$
- PP 45° bended outlet $\phi 40/50$
- room under shower tray 87

size packaging category

$\phi 118 \times \phi 50$ 12 - B (box) C06



50 mm 27 l/min 12 pcs.

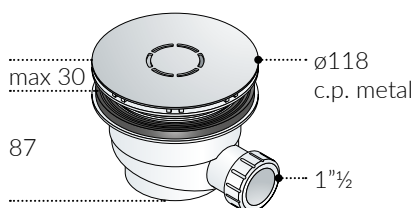


SPARE PARTS / GRID



119.522.0

For more informations see page ***



a. 5261.086.6

- c.p. metal grid $\phi 118$
- POM flange $\phi 115$
- lateral outlet $1\frac{1}{2}$
- room under shower tray 87

size packaging category

$\phi 118 \times 1\frac{1}{2}$ 16 - B (box) C06



50 mm 27 l/min 16 pcs.

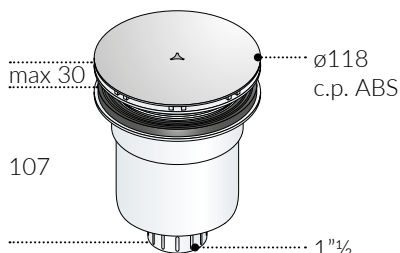


SPARE PARTS / GRID



119.512.0

For more informations see page ***



a. 5258.076.6

- c.p. ABS grid $\phi 118$
- POM flange $\phi 115$
- vertical outlet $1\frac{1}{2}$
- room under shower tray 107

size packaging category

$\phi 118 \times 1\frac{1}{2}$ 20 - B (box) C06



50 mm 41 l/min 20 pcs.



SPARE PARTS / GRID



119.522.0

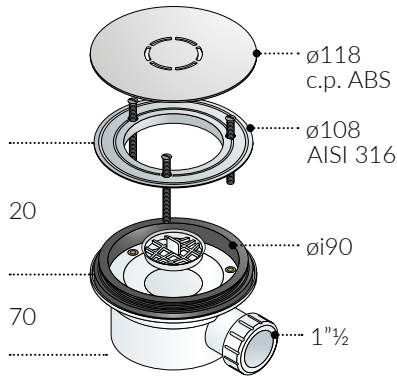
For more informations see page ***



5661 + 5641

Vega evo

PP trapped waste for $\phi 90$ holed tray

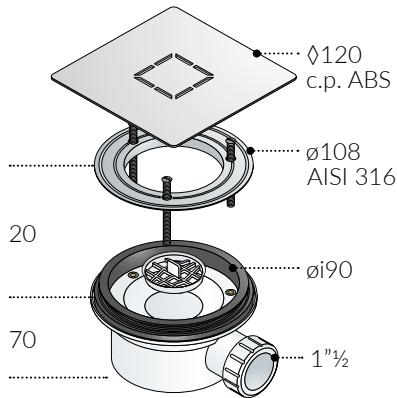


a. 5661.076.6

- c.p. ABS grid $\phi 118$
- s/steel AISI316 flange $\phi 108$
- lateral outlet 1 1/2
- room under shower tray 70

size	packaging	category
$\phi 118 \times 1 1/2$	16 - B (box)	C06
50 mm 26 l/min	16 pcs.	

SPARE PARTS / GRID
119.523.0
 For more informations see page ***



a. 5641.076.6

- c.p. ABS grid $\phi 120$
- s/steel AISI316 flange $\phi 108$
- lateral outlet 1 1/2
- room under shower tray 70

size	packaging	category
$\phi 120 \times 1 1/2$	16 - B (box)	C06
50 mm 26 l/min	16 pcs.	

SPARE PARTS / GRID
119.527.0
 For more informations see page ***

minimum encumbrance
 Vega evo is conform to standard waste with lower room under shower tray

NOTES

Water seal
50 mm
 Water volume
27 l/min

87



5261.076.6

Water seal
50 mm
 Water volume
26 l/min

70

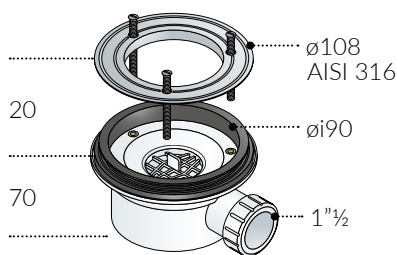


5661.076.6

a. 5661.006.6

- without grid
- s/steel AISI316 flange $\phi 108$
- gasket for acrylic shower tray
- lateral outlet 1 1/2
- room under shower tray 70

size	packaging	category
$\phi 118 \times 1 1/2$	16 - B (box)	C06
50 mm 26 l/min	16 pcs.	



b. 5661.106.6

- without grid
- s/steel AISI316 flange $\phi 108$
- gasket for ceramic shower tray
- lateral outlet 1 1/2
- room under shower tray 70

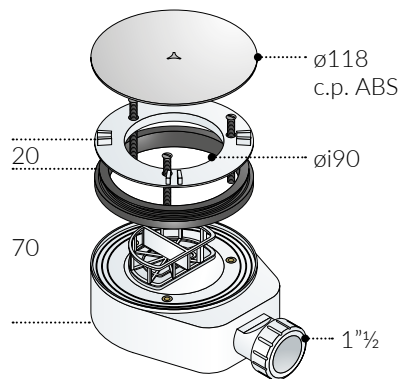
size	packaging	category
$\phi 118 \times 1 1/2$	16 - B (box)	C06
50 mm 26 l/min	16 pcs.	



6261 + 6241

Aloha

PP trapped waste for $\phi 90$ holed tray



a. 6261.076.6

- c.p. ABS grid $\phi 118$
- POM flange $\phi 115$
- lateral outlet 1"½
- room under shower tray 70

size

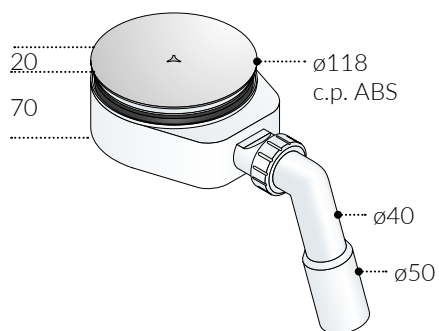
$\phi 118 \times 1" \frac{1}{2}$

packaging

16 - B (box)

category

C06



b. 6261.078.8

- c.p. ABS grid $\phi 118$
- POM flange $\phi 115$
- lateral outlet 1"½
- PP 45° bended outlet $\phi 40/50$
- room under shower tray 70

size

$\phi 118 \times \phi 50$

packaging

12 - B (box)

category

C06



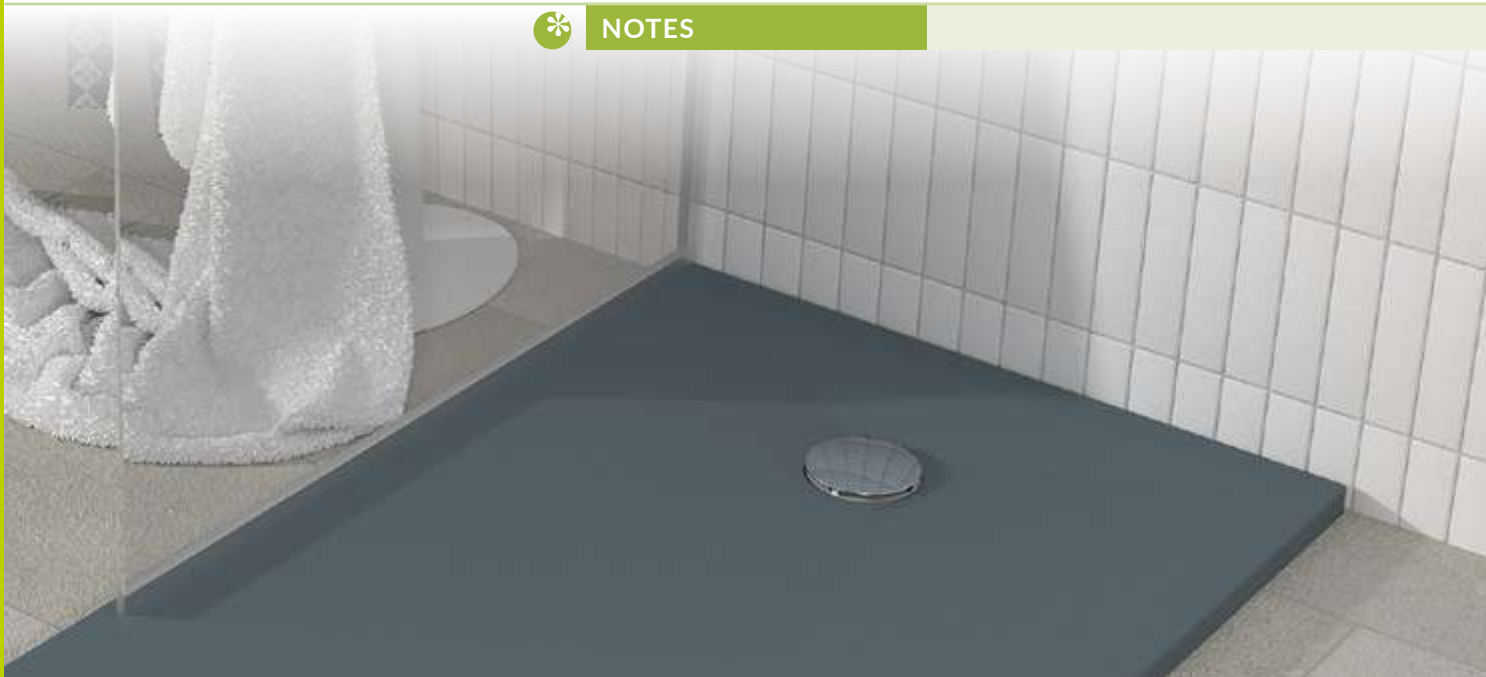
SPARE PARTS / GRID

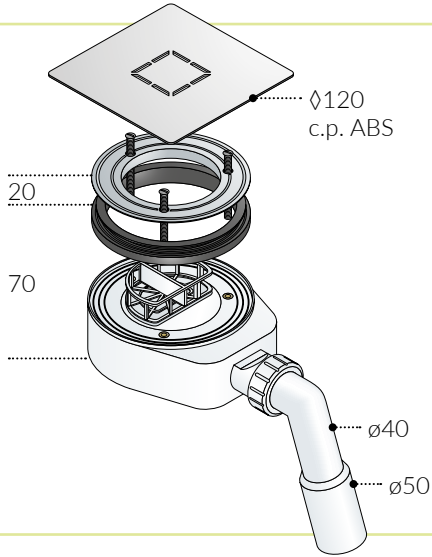


119.522.0

For more informations see page ***

* NOTES





a. 6241.078.8

- c.p. ABS grid ∅120
- s/steel AISI316 flange ∅108
- lateral outlet 1 1/2"
- PP 45° bended outlet ∅40/50
- room under shower tray 70

size packaging category

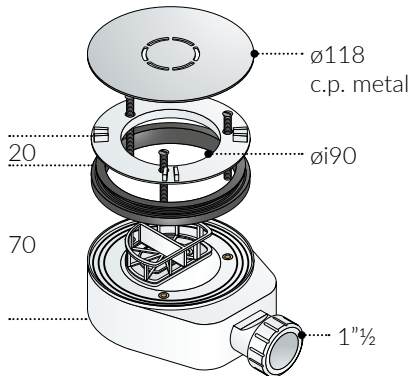
∅120 × ∅50 12 - B (box) C06

35 mm 25 l/min 12 pcs.



SPARE PARTS / GRID

119.527.0
For more informations see page ***



a. 6261.086.6

- c.p. metal grid ∅118
- POM flange ∅115
- lateral outlet 1 1/2"
- room under shower tray 70

size packaging category

∅118 × 1 1/2" 16 - B (box) C06

35 mm 25 l/min 16 pcs.



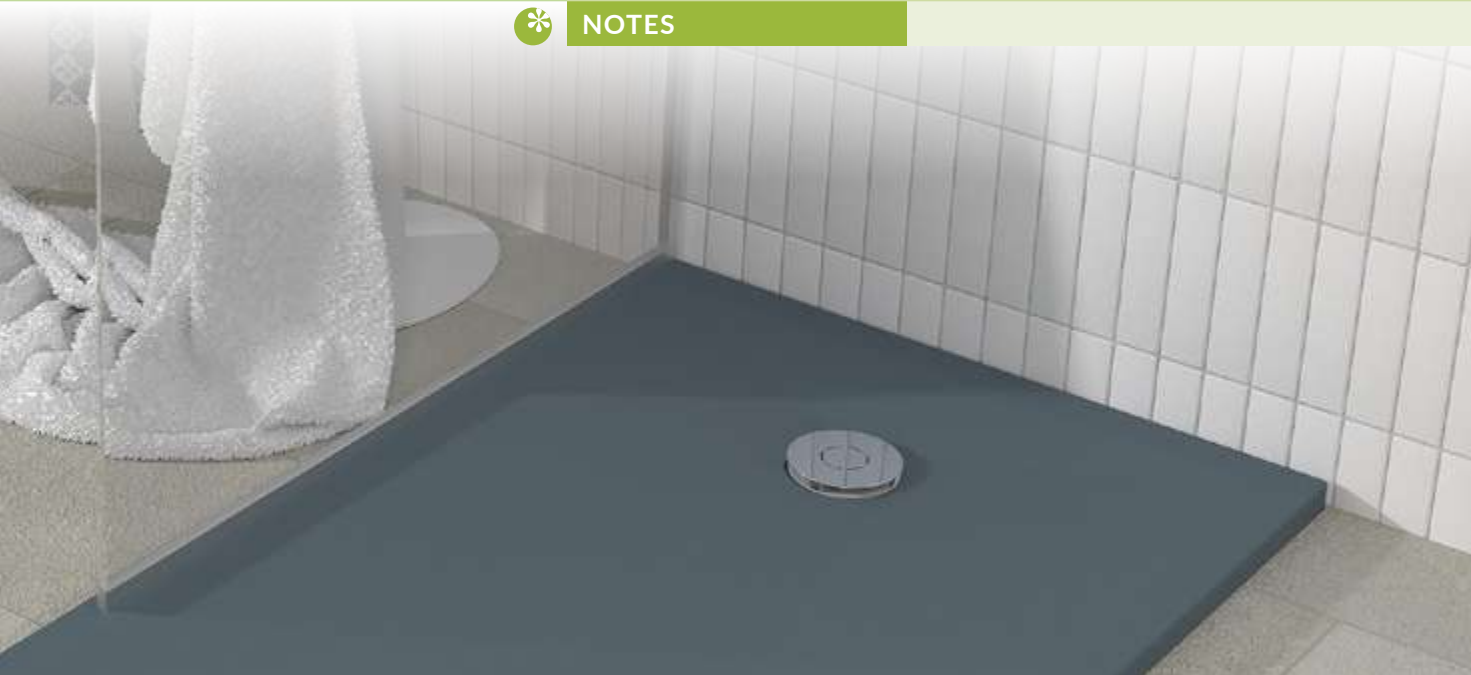
OTHER FINISHING AVAILABLE

matt black 6261.086.6.X	matt white 6261.086.6.XD	polished gold 6261.086.6.3	brushed steel -	brushed bronze -
-----------------------------------	------------------------------------	--------------------------------------	---------------------------	----------------------------

SPARE PARTS / GRID

119.512.0
For more informations see page ***

*** NOTES**

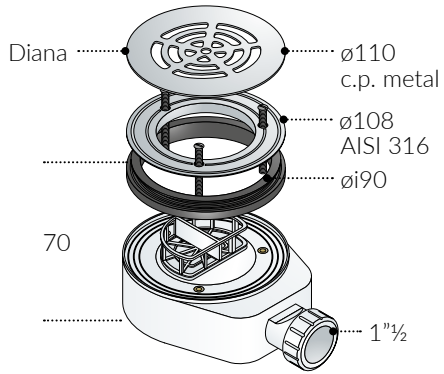




6561

Altair

PP trapped waste for $\phi 90$ holed tray



a. 6561.086.6

- c.p. metal grid $\phi 110$
- model Diana
- s/steel AISI316 flange $\phi 108$
- lateral outlet 1"½
- room under shower tray 70

size

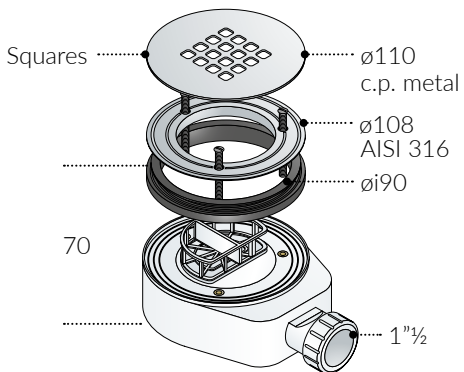
$\phi 110 \times 1" \frac{1}{2}$

packaging

16 - B (box)

category

C06



b. 6561.286.6

- c.p. metal grid $\phi 110$
- model Squares
- s/steel AISI316 flange $\phi 108$
- lateral outlet 1"½
- room under shower tray 70

size

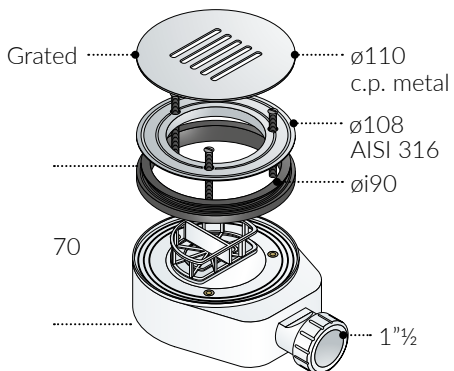
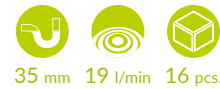
$\phi 110 \times 1" \frac{1}{2}$

packaging

16 - B (box)

category

C06



c. 6561.386.6

- c.p. metal grid $\phi 110$
- model Grated
- s/steel AISI316 flange $\phi 108$
- lateral outlet 1"½
- room under shower tray 70

size

$\phi 110 \times 1" \frac{1}{2}$

packaging

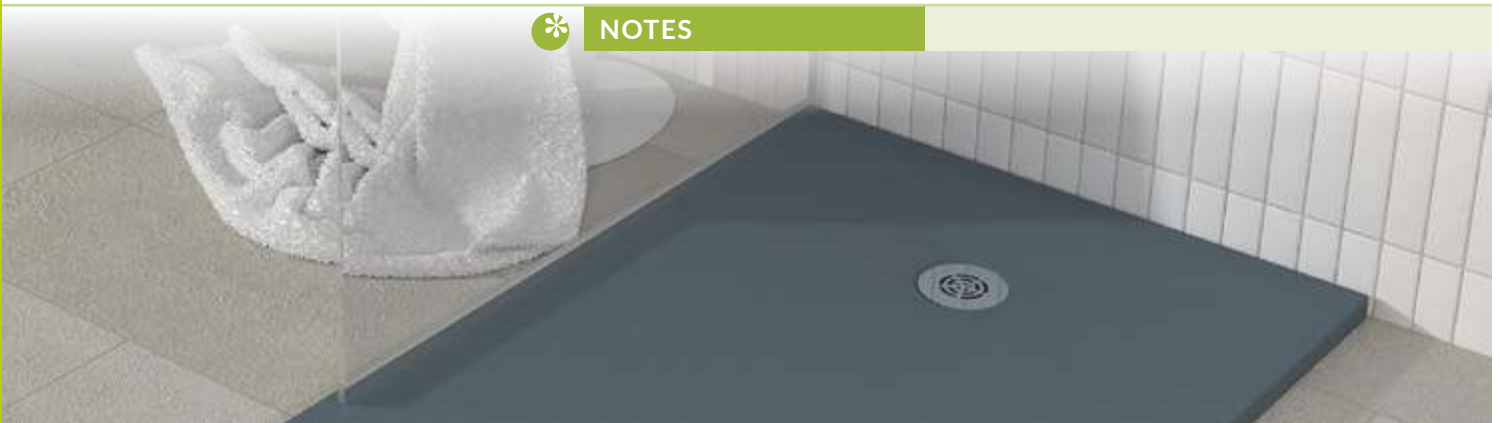
16 - B (box)

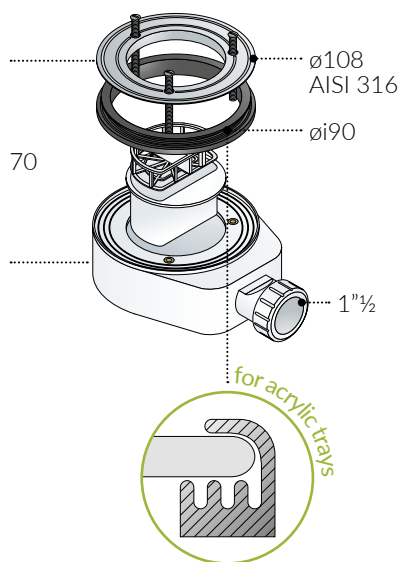
category

C06



* NOTES





a. 6561.006.6

- without grid
- s/steel AISI316 flange ø108
- gasket for acrylic shower tray
- slick lateral outlet 1 1/2
- room under shower tray 70

size

ø110 × 1 1/2

packaging

16 - B (box)

category

C06



35 mm 22 l/min 16 pcs.



b. 6561.106.6

- without grid
- s/steel AISI316 flange ø108
- gasket for ceramic shower tray
- slick lateral outlet 1 1/2
- room under shower tray 70

size

ø110 × 1 1/2

packaging

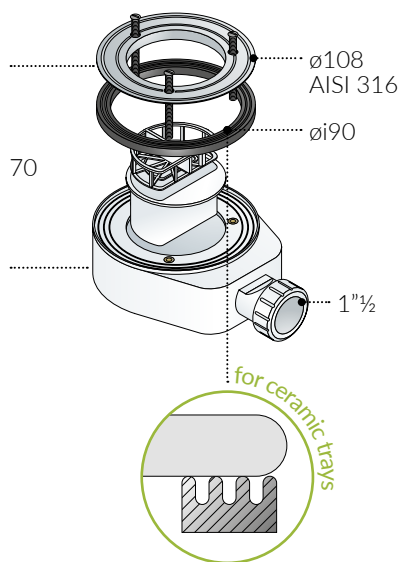
16 - B (box)

category

C06



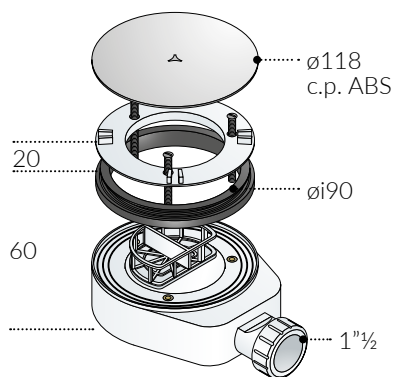
35 mm 22 l/min 16 pcs.



6621

Auva mini

PP trapped waste for $\phi 90$ holed tray,
reduced encumbrance



a. 6621.076.6

- c.p. ABS grid $\phi 118$
- POM flange $\phi 115$
- lateral outlet $1\frac{1}{2}$
- room under shower tray 60

size packaging category

$\phi 118 \times 1\frac{1}{2}$ 16 - B (box) C06

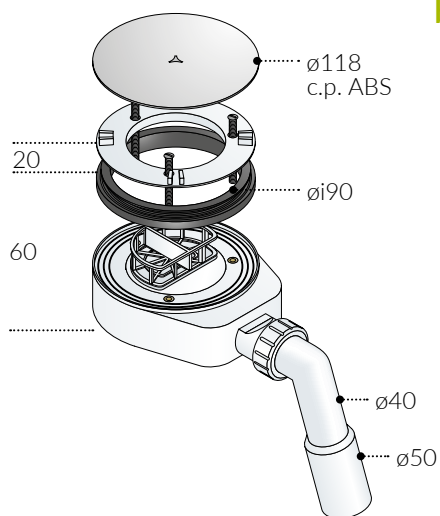


b. 6621.078.8

- c.p. ABS grid $\phi 118$
- POM flange $\phi 115$
- lateral outlet $1\frac{1}{2}$
- PP 45° bended outlet $\phi 40/50$
- room under shower tray 60

size packaging category

$\phi 118 \times \phi 50$ 12 - B (box) C06



SPARE PARTS / GRID



119.522.0

For more informations see page ***

NOTES

Water seal



35 mm

Water volume



25 l/min

Water seal



25 mm

Water volume



25 l/min



6261.076.6



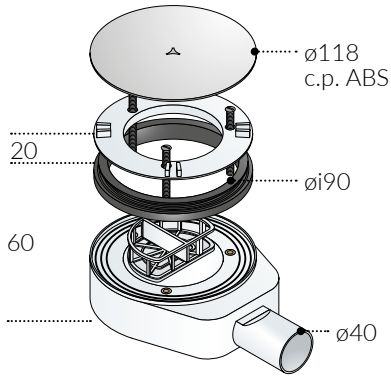
6621.078.8

6621

new

Auva slick

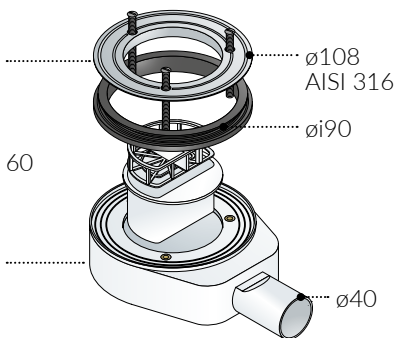
PP trapped waste for $\phi 90$ holed tray, with slick lateral outlet



a. 6621.071.6	size	packaging	category
<ul style="list-style-type: none"> - c.p. ABS grid $\phi 118$ - POM flange $\phi 115$ - slick lateral outlet $\phi 40$ - room under shower tray 60 	$\phi 118 \times \phi 40$	16 - B (box)	C06
	25 mm 27 l/min 16 pcs.		

SPARE PARTS / GRID

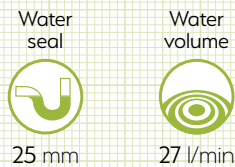
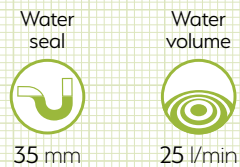
119.522.0
For more informations see page ***



a. 6621.001.6	size	packaging	category
<ul style="list-style-type: none"> - without grid - s/steel AISI316 flange $\phi 108$ - gasket for acrylic shower tray - slick lateral outlet $\phi 40$ - room under shower tray 60 	$\phi 110 \times \phi 40$	16 - B (box)	C06
	25 mm 27 l/min 16 pcs.		

b. 6621.101.6	size	packaging	category
<ul style="list-style-type: none"> - without grid - s/steel AISI316 flange $\phi 108$ - gasket for ceramic shower tray - slick lateral outlet $\phi 40$ - room under shower tray 60 	$\phi 110 \times \phi 40$	16 - B (box)	C06
	25 mm 27 l/min 16 pcs.		

NOTES



6621.076.6

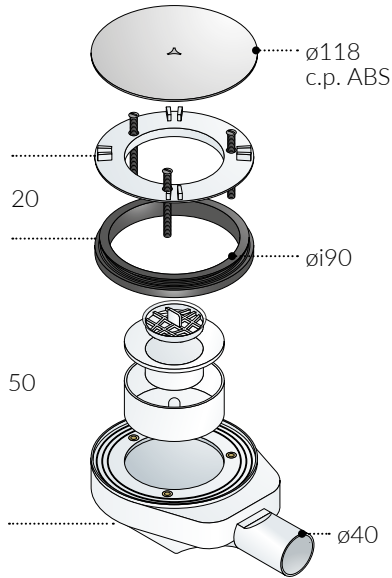


6621.071.6

6721

Concita

PP trapped waste for $\phi 90$ holed tray,
minimum encumbrance and slick lateral outlet



a. 6721.071.6

- c.p. ABS grid $\phi 118$
- POM flange $\phi 115$
- slick lateral outlet $\phi 40$
- room under shower tray 50

size

$\phi 110 \times 1\frac{1}{2}$

packaging

16 - B (box)

category

C06



SPARE PARTS / GRID



119.522.0

For more informations see page ***



NOTES



Minimal space requirement

Concita is the lowest-profile shower waste among the Tea range items for shower trays

Water seal



35 mm

Water volume



25 l/min

Water seal



22 mm

Water volume



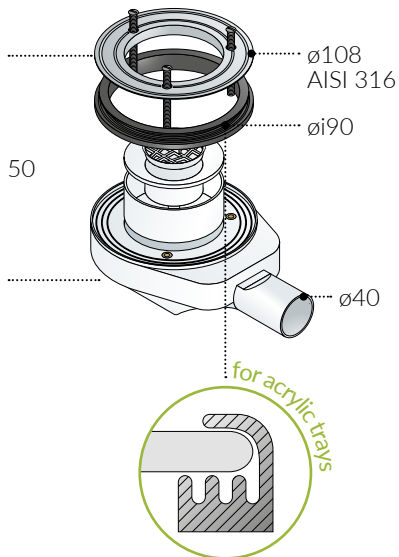
22 l/min



6261.076.6



6721.071.6



a. 6721.001.6

- without grid
- s/steel AISI316 flange ø108
- gasket for acrylic shower tray
- slick lateral outlet ø40
- room under shower tray 50

size

ø110 × 1"½

packaging

16 - B (box)

category

C06



b. 6721.101.6

- without grid
- s/steel AISI316 flange ø108
- gasket for ceramic shower tray
- slick lateral outlet ø40
- room under shower tray 50

size

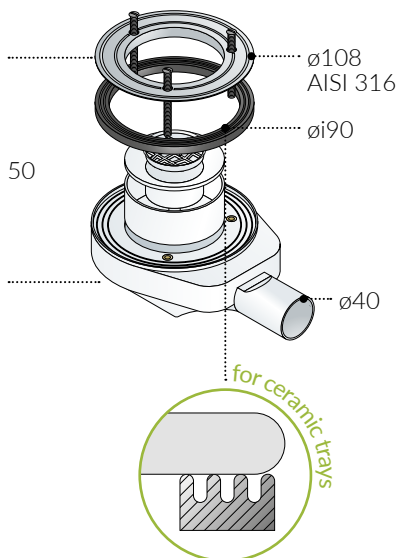
ø110 × 1"½

packaging

16 - B (box)

category

C06



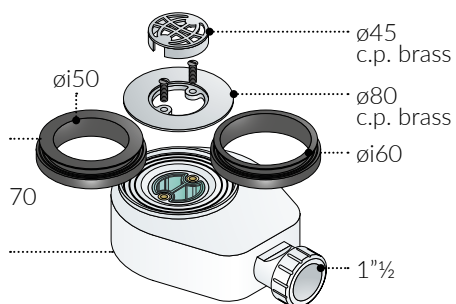


6461 Albireo

PP trapped waste for $\phi 50/60$ holed tray,
reduced encumbrance

WARNING

 Compatibility check required
for shower trays with a $\phi 50$ mm hole



a. 6461.066.6

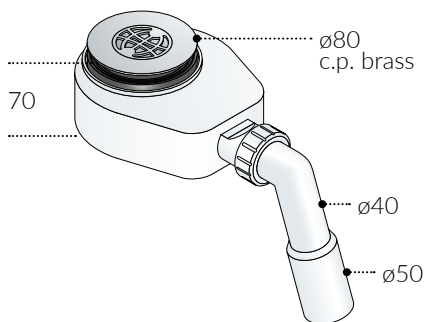
- c.p. brass grid $\phi 45$
- c.p. brass flange $\phi 80$
- lateral outlet $1\frac{1}{2}$
- room under shower tray 70

size packaging category

$\phi 80 \times 1\frac{1}{2}$ 16 - B (box) C06



35 mm 46 l/min 16 pcs.



b. 6461.068.8

- c.p. brass grid $\phi 45$
- c.p. brass flange $\phi 80$
- lateral outlet $1\frac{1}{2}$
- PP 45° bended outlet $\phi 40/50$
- room under shower tray 70

size packaging category

$\phi 80 \times \phi 50$ 12 - B (box) C06

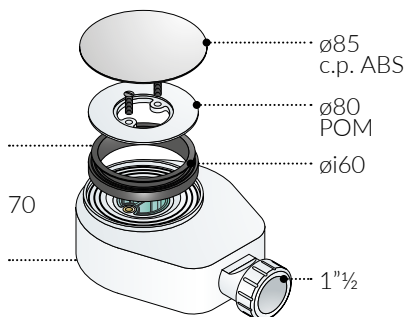


35 mm 46 l/min 12 pcs.



SPARE PARTS / GRID

 **119.511.0**
For more informations see page ***



a. 6461.096.6

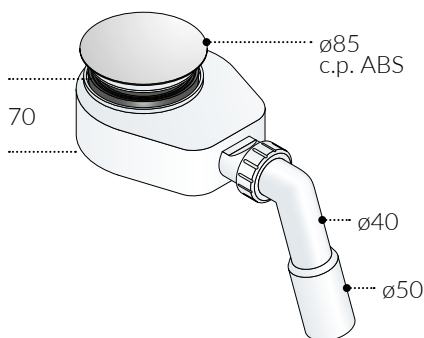
- c.p. ABS grid $\phi 85$
- POM flange $\phi 80$
- lateral outlet $1\frac{1}{2}$
- room under shower tray 70

size packaging category

$\phi 85 \times 1\frac{1}{2}$ 16 - B (box) C06



35 mm 44 l/min 16 pcs.

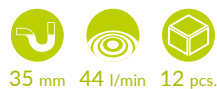


b. 6461.098.8

- c.p. ABS grid $\phi 85$
- POM flange $\phi 80$
- lateral outlet $1\frac{1}{2}$
- PP 45° bended outlet $\phi 40/50$
- room under shower tray 70

size packaging category

$\phi 85 \times \phi 50$ 12 - B (box) C06



35 mm 44 l/min 12 pcs.



SPARE PARTS / GRID

 **119.525.0**
For more informations see page ***

661

Wei

PP trapped waste for $\phi 60$ holed tray,
EN274 conform



WARNING



Compatibility check required
for shower trays with a $\phi 50$ mm hole

a. 661.066.6

- c.p. brass grid $\phi 45$
- c.p. brass flange $\phi 80$
- lateral outlet $1\frac{1}{2}$
- room under shower tray 85

size

$\phi 80 \times 1\frac{1}{2}$

packaging

30 - B (bag)

category

C06



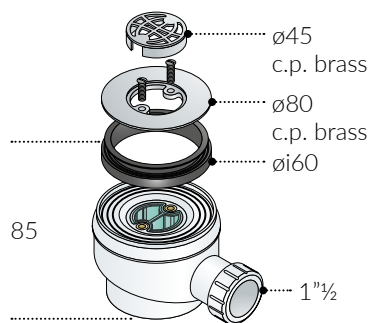
50 mm



41 l/min



30 pcs.



SPARE PARTS / GRID



119.511.0

For more informations see page ***

a. 661.096.6

- c.p. ABS grid $\phi 85$
- POM flange $\phi 80$
- lateral outlet $1\frac{1}{2}$
- room under shower tray 85

size

$\phi 85 \times 1\frac{1}{2}$

packaging

30 - B (bag)

category

C06



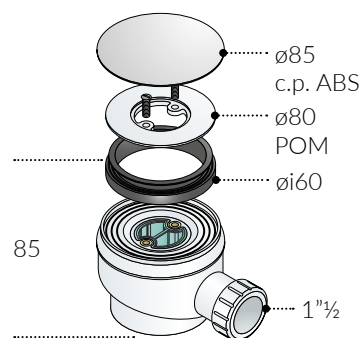
50 mm



39 l/min



30 pcs.



SPARE PARTS / GRID



119.525.0

For more informations see page ***



461 + 261

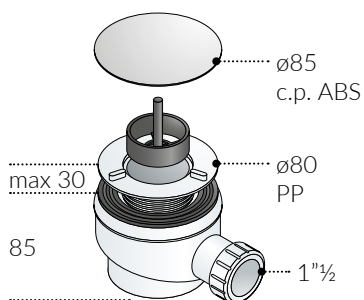
Vega mini + Naos

PP trapped waste for $\phi 60$ holed tray,
EN274 conform

WARNING



Compatibility check required
for shower trays with a $\phi 50$ mm hole



a. 461.096.6

Vega mini

- c.p. ABS grid $\phi 85$
- PP flange $\phi 80$
- lateral outlet $1\frac{1}{2}$
- room under shower tray 85

size

$\phi 85 \times 1\frac{1}{2}$

packaging

30 - B (bag)

category

C06



50 mm



39 l/min



30 pcs.



SPARE PARTS / GRID



119.525.0

For more informations see page ***

a. 261.066.6

Naos

- c.p. brass grid $\phi 45$
- c.p. brass flange $\phi 80$
- lateral outlet $1\frac{1}{2}$
- room under shower tray 85

size

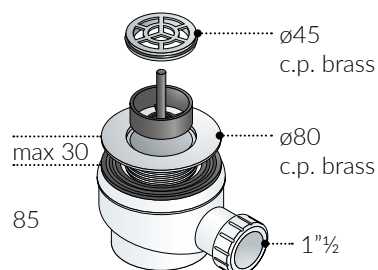
$\phi 80 \times 1\frac{1}{2}$

packaging

30 - B (bag)

category

C06



50 mm



41 l/min



30 pcs.



SPARE PARTS / GRID



119.410.0

For more informations see page ***

257

Gienah

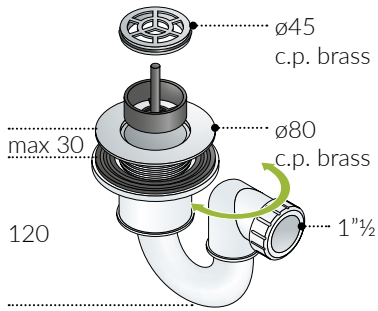
PP waste + trap set for ø60 holed tray



WARNING



Compatibility check required for shower trays with a ø50 mm hole



a. 257.066.6

- c.p. brass grid ø45
- c.p. brass flange ø80
- lateral outlet 1 1/2
- room under shower tray 120
- adjustable outlet

size	packaging	category
------	-----------	----------

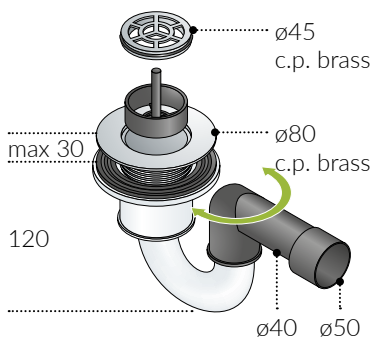
ø80 × 1 1/2	30 - B (bag)	C06
-------------	--------------	-----



SPARE PARTS / GRID



119.410.0
For more informations see page ***



a. 257.069.8

- c.p. brass grid ø45
- c.p. brass flange ø80
- PEHD lateral outlet ø40/50
- room under shower tray 120
- adjustable outlet

size	packaging	category
------	-----------	----------

ø80 × ø50	30 - C (bag)	C06
-----------	--------------	-----



SPARE PARTS / GRID



119.410.0
For more informations see page ***



254

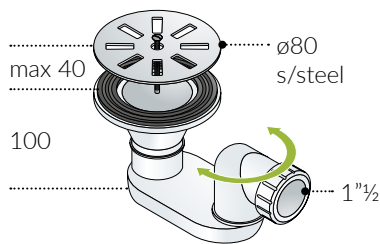
Sadr P

PP waste + trap set for $\phi 60$ holed tray

WARNING



Compatibility check required
for shower trays with a $\phi 50$ mm hole



a. 254.016.6

- s/steel plate $\phi 80$
- lateral outlet $1\frac{1}{2}$
- room under shower tray 100
- adjustable outlet

size

 $\phi 80 \times 1\frac{1}{2}$

packaging

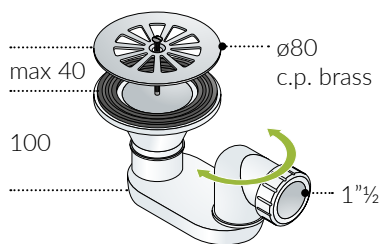
30 - B (bag)

category

C06



40 mm 32 l/min 30 pcs.



b. 254.066.6

- c.p. brass plate $\phi 80$
- lateral outlet $1\frac{1}{2}$
- room under shower tray 100
- adjustable outlet

size

 $\phi 80 \times 1\frac{1}{2}$

packaging

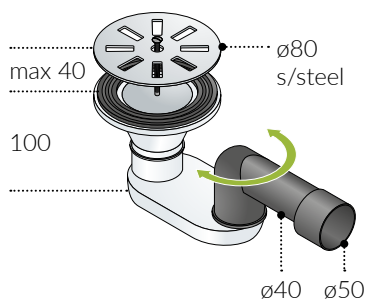
30 - B (bag)

category

C06



40 mm 32 l/min 30 pcs.



a. 254.019.8

- s/steel plate $\phi 80$
- lateral outlet $1\frac{1}{2}$
- PEHD lateral outlet $\phi 40/50$
- room under shower tray 100
- adjustable outlet

size

 $\phi 80 \times \phi 50$

packaging

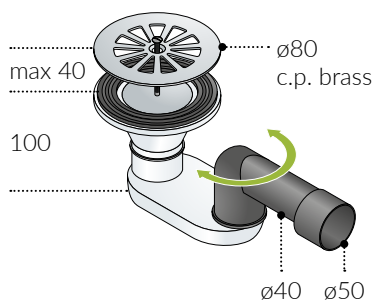
30 - C (bag)

category

C06



40 mm 32 l/min 30 pcs.



b. 254.069.8

- c.p. brass plate $\phi 80$
- lateral outlet $1\frac{1}{2}$
- PEHD lateral outlet $\phi 40/50$
- room under shower tray 100
- adjustable outlet

size

 $\phi 80 \times \phi 50$

packaging

30 - C (bag)

category

C06



40 mm 32 l/min 30 pcs.



256 Sadr S

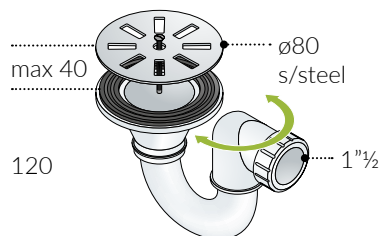
PP waste + trap set for $\phi 60$ holed tray



WARNING



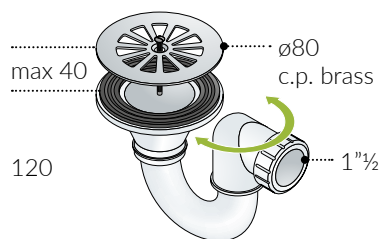
Compatibility check required for shower trays with a $\phi 50$ mm hole



a. 256.016.6

- s/steel plate $\phi 80$
- lateral outlet $1\frac{1}{2}$
- room under shower tray 120
- adjustable outlet

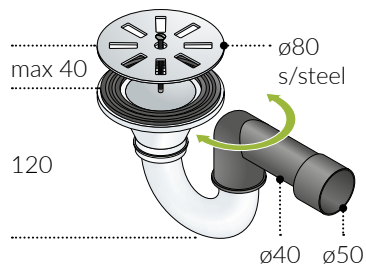
size	packaging	category
$\phi 80 \times 1\frac{1}{2}$	30 - B (bag)	C06
 50 mm	 32 l/min	  30 pcs.



b. 256.066.6

- c.p. brass plate $\phi 80$
- lateral outlet $1\frac{1}{2}$
- room under shower tray 120
- adjustable outlet

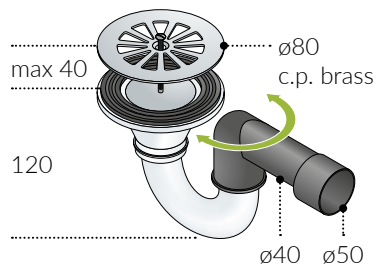
size	packaging	category
$\phi 80 \times 1\frac{1}{2}$	30 - B (bag)	C06
 50 mm	 32 l/min	  30 pcs.



a. 256.019.8

- s/steel plate $\phi 80$
- lateral outlet $1\frac{1}{2}$
- PEHD lateral outlet $\phi 40/50$
- room under shower tray 120
- adjustable outlet

size	packaging	category
$\phi 80 \times \phi 50$	30 - C (bag)	C06
 50 mm	 32 l/min	  30 pcs.



b. 256.069.8

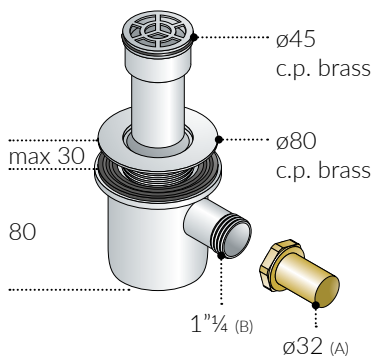
- c.p. brass plate $\phi 80$
- lateral outlet $1\frac{1}{2}$
- PEHD lateral outlet $\phi 40/50$
- room under shower tray 120
- adjustable outlet

size	packaging	category
$\phi 80 \times \phi 50$	30 - C (bag)	C06
 50 mm	 32 l/min	  30 pcs.



brass and plastic wastes

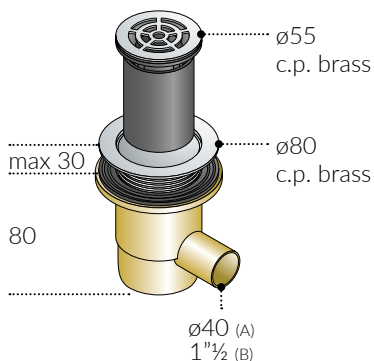
for $\phi 60$ holed tray



a. 61.067.5	size	packaging	category
Brass trapped waste for $\phi 60$ holed tray	$\phi 80 \times \phi 32$	15 - T (box)	C15
<ul style="list-style-type: none"> - c.p. brass grid $\phi 45$ - c.p. brass flange $\phi 80$ - straight outlet $\phi 32$ (brass) - room under shower tray 80 			

b. 61.065.5	size	packaging	category
Brass trapped waste for $\phi 60$ holed tray	$\phi 80 \times 1\frac{1}{4}$	15 - T (box)	C15
<ul style="list-style-type: none"> - c.p. brass grid $\phi 45$ - c.p. brass flange $\phi 80$ - outlet $1\frac{1}{4}$ - without nut nor tailpiece - room under shower tray 80 			

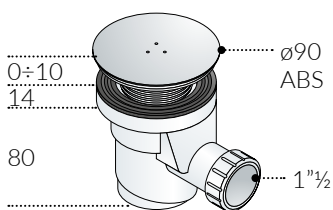
SPARE PARTS / GRID 119.510.0



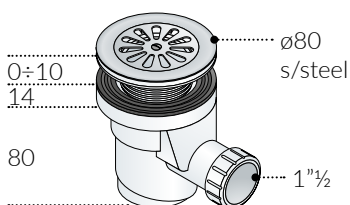
a. 361.069.6	size	packaging	category
Brass trapped waste for $\phi 60$ holed tray	$\phi 80 \times \phi 40$	15 - T (box)	C15
<ul style="list-style-type: none"> - c.p. brass grid $\phi 55$ - c.p. brass flange $\phi 80$ - outlet $\phi 40$ - room under shower tray 80 			

b. 361.066.6	size	packaging	category
Brass trapped waste for $\phi 60$ holed tray	$\phi 80 \times 1\frac{1}{2}$	15 - T (box)	C15
<ul style="list-style-type: none"> - c.p. brass grid $\phi 55$ - c.p. brass flange $\phi 80$ - outlet $1\frac{1}{2}$ with nut - room under shower tray 80 			

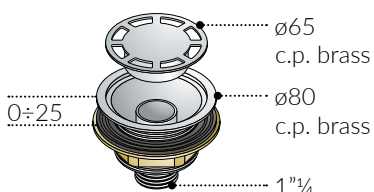
SPARE PARTS / GRID 119.910.0



a. 245.096.6	size	packaging	category
ABS waste for $\phi 60$ holed tray	$\phi 90 \times 1\frac{1}{2}$	30 - W (bag)	C06
<ul style="list-style-type: none"> - s/steel coated ABS grid $\phi 90$ - ABS flange $\phi 80$ - outlet $1\frac{1}{2}$ - room under shower tray 80 			

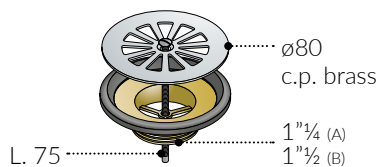


b. 245.016.6	size	packaging	category
ABS waste for $\phi 60$ holed tray	$\phi 80 \times 1\frac{1}{2}$	30 - W (bag)	C06
<ul style="list-style-type: none"> - s/steel grid $\phi 80$ - ABS flange $\phi 80$ - outlet $1\frac{1}{2}$ - room under shower tray 80 			



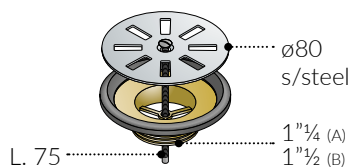
a. 58.065.5	size	packaging	category
C.p. brass trapped waste for $\phi 60$ holed tray	$\phi 80 \times 1\frac{1}{4}$	30 - T (box)	C15
<ul style="list-style-type: none"> - c.p. brass grid $\phi 65$ - c.p. brass flange $\phi 80$ - outlet $1\frac{1}{4}$ 			

SPARE PARTS / GRID 119.310.0



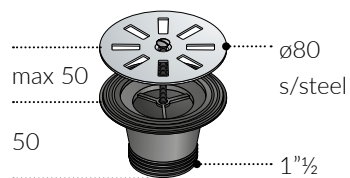
a. 55.165.5	size	packaging	category
Brass grated waste for $\phi 60$ holed tray	$\phi 80 \times 1 \frac{1}{4}$	60 - X (box)	C15
- c.p. brass grid $\phi 80$ - outlet $1 \frac{1}{4}$ - screw L. 75	 40 l/min	 60 pcs.	

b. 55.165.6	size	packaging	category
- c.p. brass grid $\phi 80$ - outlet $1 \frac{1}{2}$ - screw L. 75	$\phi 80 \times 1 \frac{1}{2}$	60 - X (box)	C15
	 44 l/min	 60 pcs.	

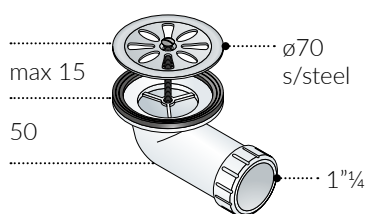


a. 55.665.5	size	packaging	category
Brass grated waste for $\phi 60$ holed tray	$\phi 80 \times 1 \frac{1}{4}$	60 - X (box)	C15
- s/steel grid $\phi 80$ - outlet $1 \frac{1}{4}$ - screw L. 75	 40 l/min	 60 pcs.	

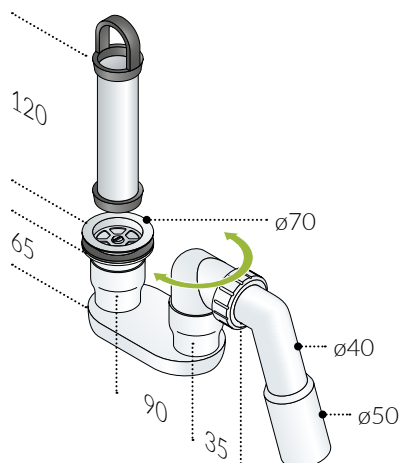
b. 55.665.6	size	packaging	category
- s/steel grid $\phi 80$ - outlet $1 \frac{1}{2}$ - screw L. 75	$\phi 80 \times 1 \frac{1}{2}$	60 - X (box)	C15
	 44 l/min	 60 pcs.	



a. 255.665.6	size	packaging	category
PP grated waste for $\phi 60$ holed tray	$\phi 80 \times 1 \frac{1}{2}$	60 - W (bag)	C06
- s/steel grid $\phi 80$ - outlet $1 \frac{1}{2}$ - screw L. 75	 49 l/min	 60 pcs.	



a. 255.670.5	size	packaging	category
PP grated waste for $\phi 60$ holed tray	$\phi 70 \times 1 \frac{1}{4}$	30 - W (bag)	C06
- s/steel grid $\phi 70$ - lateral outlet $1 \frac{1}{4}$ - screw L. 35	 24 l/min	 30 pcs.	



a. 2152.451.6	size	packaging	category
PP stand pipe waste for $\phi 60$ holed tray	$\phi 70 \times \phi 50$	30 - Q (bag)	C06
- c.p. brass stand pipe H. 120 - s/steel plate $\phi 70$ - with adjustable trap - with PP 45° bended outlet $\phi 40/50$	 50 mm	 48 l/min	 30 pcs.

b. 2142.400.6	size	packaging	category
- c.p. brass stand pipe H. 120 - s/steel plate $\phi 70$ - without trap	$\phi 70 \times 1 \frac{1}{2}$	60 - B (box)	C06
	 48 l/min	 60 pcs.	



Bathtub

- Clicker vasca brass
- Clicker vasca
- other brass pop-up wastes
- Leonessa brass
- Leonessa
- Leonessa hotellerie
- wastes for at sight installation
- other brass wastes and traps
- other plastic wastes and traps



for the sanitary ware image, special thanks to
technova

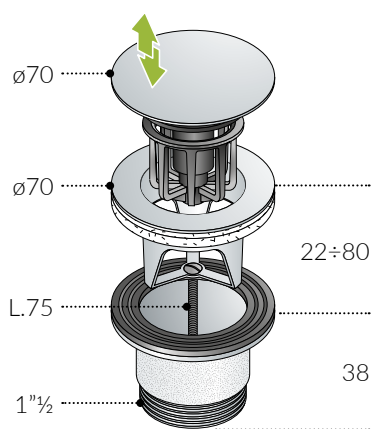


04

8334 + 8568

Clicker vasca brass

brass automatic wastes for bathtub



a. 8334.060.6

- $\phi 70$ c.p. brass plug
- H. 45 waste
- H. $40 \times 1\frac{1}{2}$ counter nut
- screw L. 75
- suitable also for bathtub with integrated overflow

size

$\phi 70 \times 1\frac{1}{2}$

packaging

15 - T (box)

category

C15



49 l/min 15 pcs.



OTHER FINISHING AVAILABLE

matt black

8334.060.6.X

matt white

8334.060.6.XD

polished gold

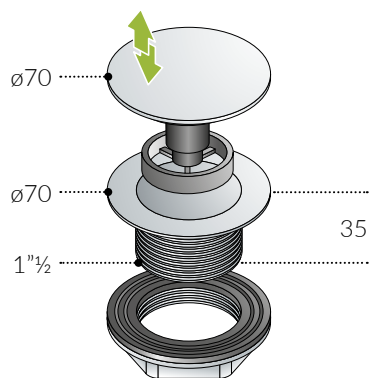
8334.060.6.3

brushed steel

-

brushed bronze

8334.060.6.6



a. 8568.060.6

- $\phi 70$ c.p. brass plug
- H. $35 \times 1\frac{1}{2}$ threaded shaft
- H. 10 counter nut
- unslotted

size

$\phi 70 \times 1\frac{1}{2}$

packaging

15 - I (box)

category

C15



50 l/min 15 pcs.

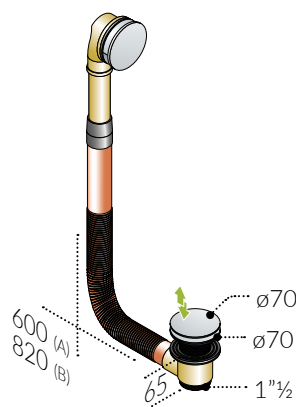


SPARE PARTS / PLUG



137.039.0

For more informations see page ***



a. 8568.160.6

- flexible connection L. 600
- $\phi 70$ c.p. brass plug
- c.p. brass overflow cover
- outlet $1\frac{1}{2}$

size

$\phi 70 \times 1\frac{1}{2}$

packaging

20 - Q (box)

category

C15



50 l/min 35 l/min 20 pcs.



b. 8568.170.6

- flexible connection L. 820
- $\phi 70$ c.p. brass plug
- c.p. brass overflow cover
- outlet $1\frac{1}{2}$

size

$\phi 70 \times 1\frac{1}{2}$

packaging

20 - Q (box)

category

C15



50 l/min 35 l/min 20 pcs.



SPARE PARTS / PLUG



137.039.0

For more informations see page ***

2868 + 2870

Clicker vasca

PP automatic waste for bathtub



a. 2868.660.6

- flexible connection L. 700
- $\phi 70$ c.p. brass plug
- c.p. brass overflow cover
- outlet $1\frac{1}{2}$ "

size

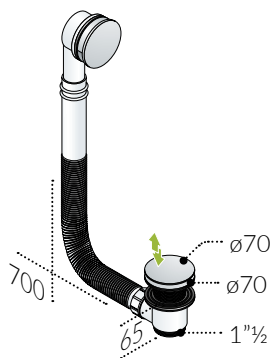
$\phi 70 \times 1\frac{1}{2}$ "

packaging

15 - Q (box)

category

C09



OTHER FINISHING AVAILABLE

matt black

2868.660.6.X

matt white

2868.660.6.XD

polished gold

-

brushed steel

-

brushed bronze

-

a. 2868.960.6

- rigid connection 190x450
- $\phi 70$ c.p. brass plug
- c.p. brass overflow cover
- outlet $1\frac{1}{2}$ "

size

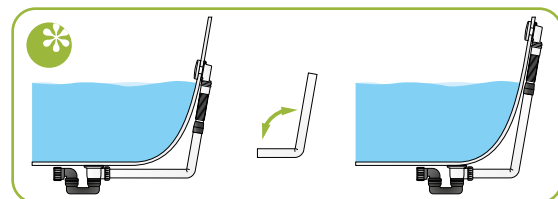
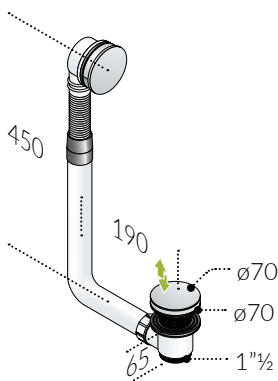
$\phi 70 \times 1\frac{1}{2}$ "

packaging

15 - Q (box)

category

C09



a. 2870.963.8

- rigid connection 190x450
- $\phi 70$ c.p. brass plug
- c.p. brass overflow cover
- outlet $1\frac{1}{2}$ "
- with adjustable trap
- PP 45° bended outlet $\phi 40/50$

size

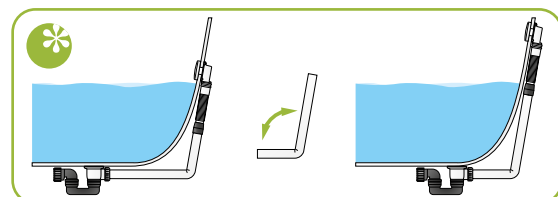
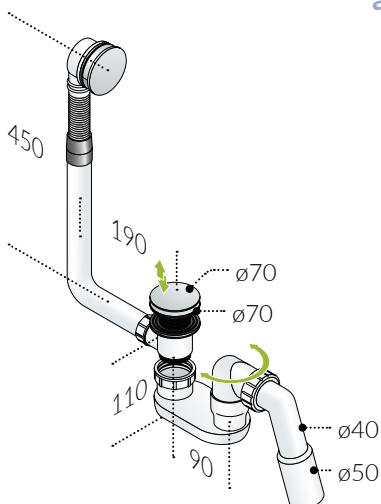
$\phi 70 \times \phi 50$

packaging

15 - Q (box)

category

C09



SPARE PARTS / PLUG



137.039.0

For more informations see page ***

...
brass and copper pop-up waste for bathtub



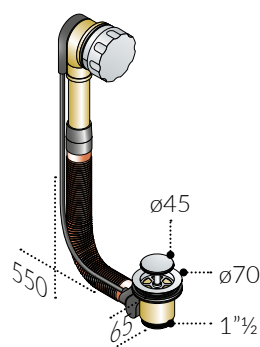
a. 399.360.6 size packaging category

- flexible connection L. 550
- $\varnothing 45$ c.p. brass plug
- c.p. metal handle
- s/steel cable
- outlet $1\frac{1}{2}$ "

$\varnothing 70 \times 1\frac{1}{2}$ "

10 - K (box)

C15



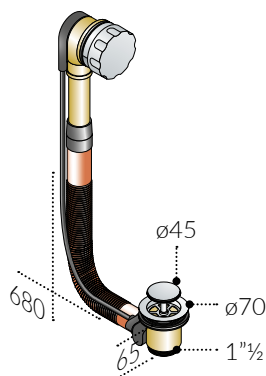
b. 399.370.6 size packaging category

- flexible connection L. 680
- $\varnothing 45$ c.p. brass plug
- c.p. metal handle
- s/steel cable
- outlet $1\frac{1}{2}$ "

$\varnothing 70 \times 1\frac{1}{2}$ "

10 - K (box)

C15



SPARE PARTS

 PLUG
HANDLE

137.063.0
137.043.0

595

Leonessa brass

brass and copper pop-up waste for bathtub



595.180.6
with water distribution to the overflow



a. 595.160.6

- flexible connection L. 550
- ø45 c.p. brass plug
- c.p. metal handle
- s/steel cable
- outlet 1 1/2"

size

ø70 × 1 1/2"

packaging

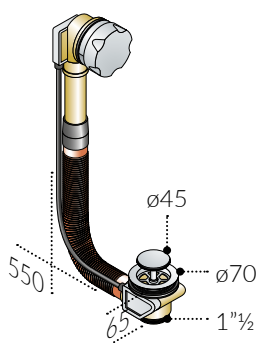
10 - S (box)

category

C15



10 pcs.



SPARE PARTS



PLUG
HANDLE

137.061.0
137.044.0

b. 595.170.6

- flexible connection L. 680
- ø45 c.p. brass plug
- c.p. metal handle
- s/steel cable
- outlet 1 1/2"

size

ø70 × 1 1/2"

packaging

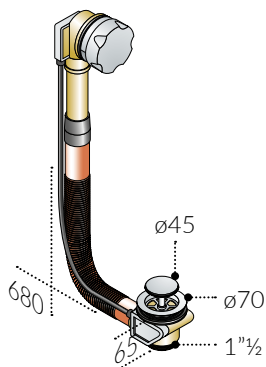
10 - S (box)

category

C15



10 pcs.



SPARE PARTS



PLUG
HANDLE

137.061.0
137.044.0

a. 595.180.6

- with water distribution to the overflow
- flexible connection L. 660
- ø45 c.p. brass plug
- c.p. ABS handle
- s/steel cable
- outlet 1 1/2"

size

ø70 × 1 1/2"

packaging

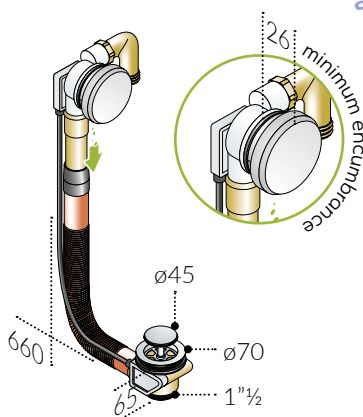
5 - B (box)

category

C15



10 pcs.



SPARE PARTS



PLUG
HANDLE

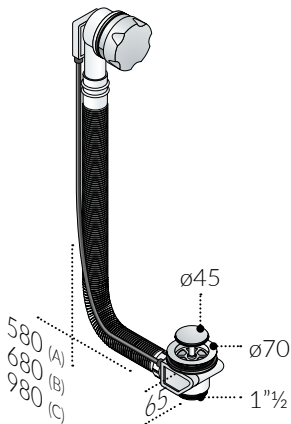
137.061.0
137.047.0



295

Leonessa

PP pop-up waste for bathtub



a. 295.660.6 size packaging category

- flexible connection L. 580
- ø45 c.p. brass plug
- c.p. metal handle
- s/steel cable
- outlet 1 1/2

ø70 × 1 1/2
62 l/min 36 l/min

TP
EU
10 - Q (box)
10 pcs.

C09



b. 295.670.6 size packaging category

- flexible connection L. 680
- ø45 c.p. brass plug
- c.p. metal handle
- s/steel cable
- outlet 1 1/2

ø70 × 1 1/2
62 l/min 36 l/min

TP
EU
10 - Q (box)
10 pcs.

C09



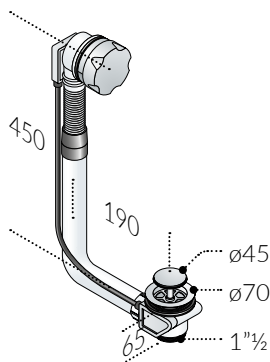
c. 295.620.6 size packaging category

- flexible connection L. 980
- ø45 c.p. brass plug
- c.p. metal handle
- s/steel cable
- outlet 1 1/2

ø70 × 1 1/2
62 l/min 36 l/min

TP
EU
10 - Q (box)
10 pcs.

C09



a. 295.160.6 size packaging category

- rigid connection 190×450
- ø45 c.p. brass plug
- c.p. metal handle
- s/steel cable
- outlet 1 1/2

ø70 × 1 1/2
62 l/min 36 l/min

TP
EU
10 - Q (box)
10 pcs.

C09

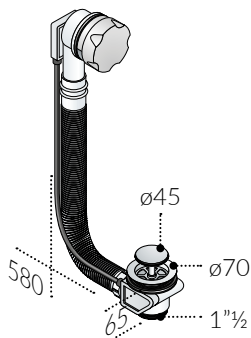


SPARE PARTS



PLUG
HANDLE

137.066.0
137.044.0



a. 295.360.6 size packaging category

- flexible connection L. 580
- ø45 c.p. brass plug
- c.p. ABS handle
- s/steel cable
- outlet 1 1/2

ø70 × 1 1/2
62 l/min 36 l/min

TP
EU
10 - Q (box)
10 pcs.

C09



SPARE PARTS



PLUG
HANDLE

137.066.0
137.051.0

301 + 491

Leonessa

PP pop-up waste with trap for bathtub



491.061.8
with water distribution to the overflow



a. 301.161.8

- rigid connection 190x450
- $\phi 45$ c.p. brass plug
- c.p. metal handle
- s/steel cable
- with adjustable trap (pre-assembled)
- PP 45° bended outlet $\phi 40/50$

size

$\phi 70 \times \phi 50$

packaging

10 - Q (box)

category

C09



50 mm



55 l/min



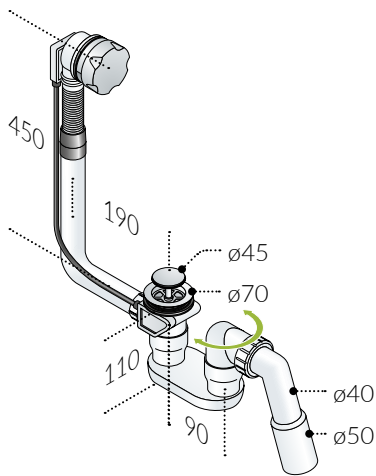
36 l/min



10 pcs.



10 pcs.



SPARE PARTS / PLUG



PLUG
HANDLE

137.066.0

137.044.0

a. 491.061.8

- with water distribution to the overflow
- rigid connection 190x450
- $\phi 45$ c.p. brass plug
- c.p. ABS handle
- s/steel cable
- with adjustable trap (pre-assembled)
- PP 45° bended outlet $\phi 40/50$

size

$\phi 70 \times \phi 50$

packaging

5 - B (box)

category

C09



50 mm



51 l/min



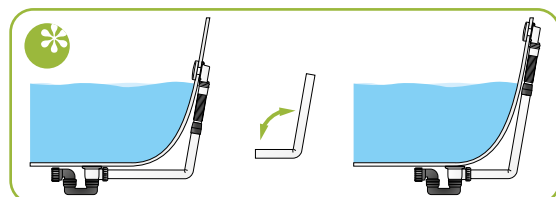
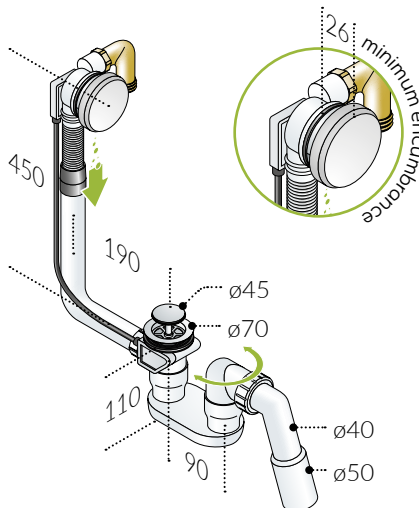
42 l/min



5 pcs.



5 pcs.



SPARE PARTS



PLUG
HANDLE

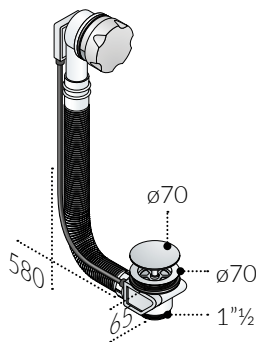
137.066.0

137.047.0

8295 + 8301 + 8491

Leonessa hotellerie

PP pop-up waste for bathtub with bigger covering plug



a. 8295.360.6

- flexible connection L. 580
- $\varnothing 70$ c.p. brass plug
- c.p. ABS handle
- s/steel cable
- outlet $1\frac{1}{2}$ "

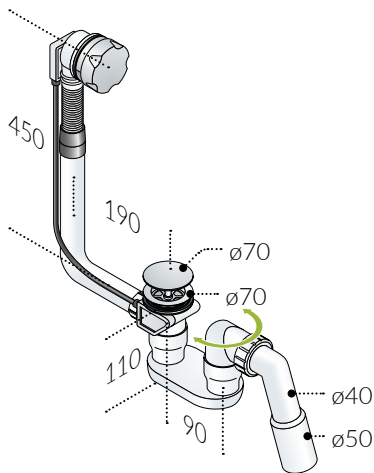
size packaging category

$\varnothing 70 \times 1\frac{1}{2}$ 10 - Q (box) C09



SPARE PARTS

PLUG 137.052.0
HANDLE 137.051.0

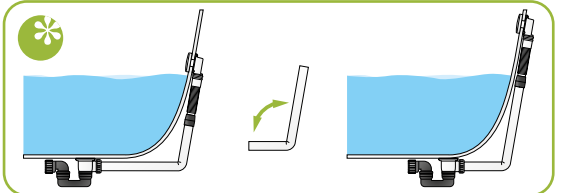


a. 8301.161.8

- rigid connection 190x450
- $\varnothing 70$ c.p. brass plug
- c.p. ABS handle
- s/steel cable
- with adjustable trap (pre-assembled)
- PP 45° bended outlet $\varnothing 40/50$

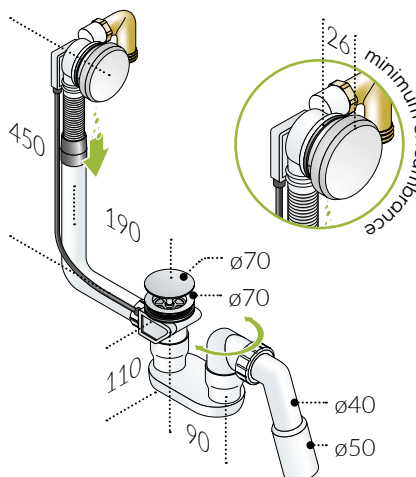
size packaging category

$\varnothing 70 \times \varnothing 50$ 10 - Q (box) C09



SPARE PARTS

PLUG 137.052.0
HANDLE 137.051.0

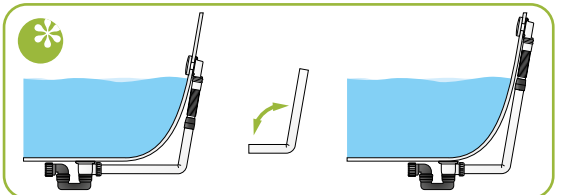


a. 8491.061.8

- with water distribution to the overflow
- rigid connection 190x450
- $\varnothing 70$ c.p. brass plug
- c.p. ABS handle
- s/steel cable
- with adjustable trap (pre-assembled)
- PP 45° bended outlet $\varnothing 40/50$

size packaging category

$\varnothing 70 \times \varnothing 50$ 5 - B (box) C09

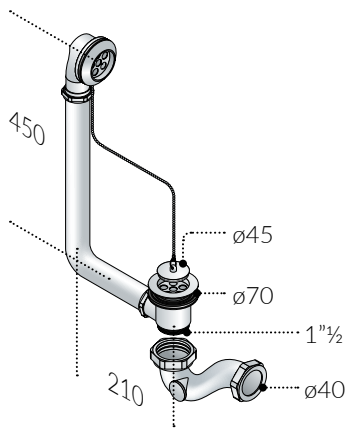


SPARE PARTS

PLUG 137.052.0
HANDLE 137.047.0

891

...
chrome plated brass waste for bathtub
for at sight installation



a. 891.160.6.K

- rigid connection 210x450
- plug with ballchain L. 450 (ø45 in c.p. brass)
- c.p. brass overflow grid
- with adjustable trap
- outlet ø40

size

ø70 × ø40

packaging

8 - A (box)

category

C15



22 mm



45 l/min



22 l/min



10 pcs.



new



OTHER FINISHING AVAILABLE

matt black

matt white

polished gold

brushed steel

brushed bronze

-

-

891.160.6.3

-

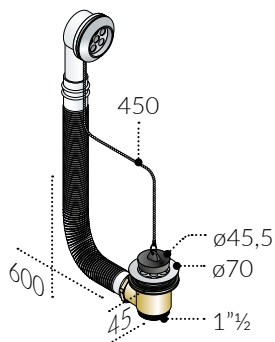
891.160.6.6



98 + 88

other brass wastes and traps

brass wastes for bathtub with ballchain plug and traps

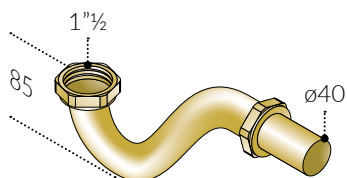


a.	98.820.6	size	packaging	category
	Brass waste for bathtub	$\varnothing 70 \times 1\frac{1}{2}$	10 - T (box)	C15
	- PP flexible connection L. 600			
	- plug with ballchain L. 450 ($\varnothing 45,5$)	53 l/min 22 l/min	10 pcs.	
	- s/steel overflow grid			
	- outlet $1\frac{1}{2}$			

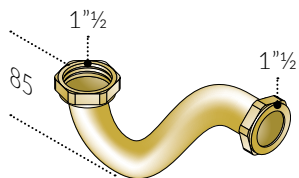
b.	98.820.5	size	packaging	category
	Brass waste for bathtub	$\varnothing 70 \times 1\frac{1}{2}$	10 - T (box)	C15
	- PP flexible connection L. 600			
	- plug with ballchain L. 450 ($\varnothing 45,5$)	53 l/min 22 l/min	10 pcs.	
	- s/steel overflow grid			
	- outlet $1\frac{1}{2}$			

SPARE PARTS / PLUG

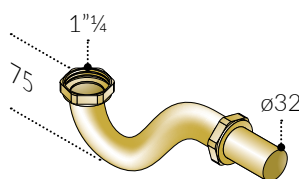
120.113.6
For more informations see page ***



a.	88.405.6.0	size	packaging	category
	Raw brass trap for bathtub	$1\frac{1}{2} \times \varnothing 40$	12 - B (box)	C02
	- inlet $1\frac{1}{2}$ (brass nut)			
	- outlet $1\frac{1}{2}$ (brass nut)	50 mm 64 l/min		15 pcs.
	- with brass tailpiece $\varnothing 40$ L. 50			
	- encumbrance H. 85			



b.	88.409.6.0	size	packaging	category
	Raw brass trap for bathtub	$1\frac{1}{2} \times 1\frac{1}{2}$	12 - B (box)	C02
	- inlet $1\frac{1}{2}$ (brass nut)			
	- outlet $1\frac{1}{2}$ (brass nut)	50 mm 64 l/min		15 pcs.
	- without tailpiece			
	- encumbrance H. 85			



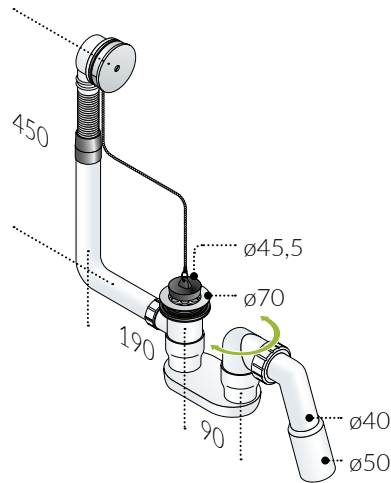
a.	88.405.5.0	size	packaging	category
	Raw brass trap for bathtub	$1\frac{1}{4} \times \varnothing 32$	12 - B (box)	C02
	- inlet $1\frac{1}{4}$ (brass nut)			
	- outlet $1\frac{1}{4}$ (brass nut)	30 mm 64 l/min	15 pcs.	
	- with brass tailpiece $\varnothing 32$ L. 50			
	- encumbrance H. 75			



312 + 289 + 298

other PP wastes

PP wastes for bathtub with ballchain plug



a. 312.601.8

- rigid connection 190x450
- plug with ballchain L. 450 (ø45,5)
- s/steel overflow grid
- with adjustable trap (pre-assembled)
- PP 45° bended outlet ø40/50

size

ø70 × ø50

packaging

10 - Q (box)

category

C09



50 mm



59 l/min



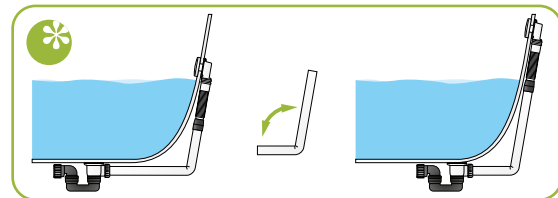
36 l/min



10 pcs.



10 pcs.



a. 298.820.6

- flexible connection L. 600
- plug with ballchain L. 450 (ø45,5)
- s/steel overflow grid
- outlet 1 1/2"

size

ø70 × 1 1/2"

packaging

30 - B (box)

category

C09



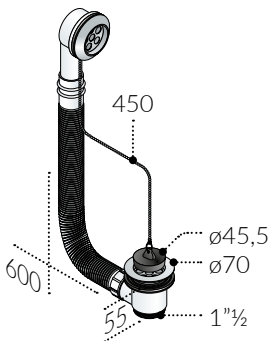
48 l/min



22 l/min



30 pcs.



a. 289.820.6

- flexible connection L. 600
- plug with ballchain L. 450 (ø45,5)
- s/steel overflow grid
- with adjustable trap without tailpiece
- outlet 1 1/2"

size

ø70 × ø50

packaging

10 - Q (box)

category

C09



50 mm



59 l/min



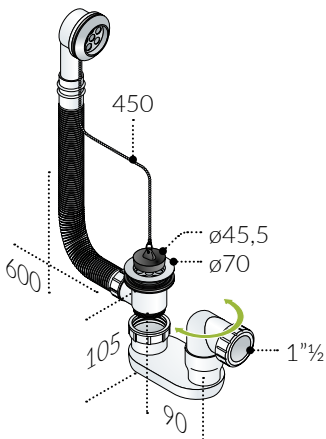
36 l/min



10 pcs.



10 pcs.



SPARE PARTS / PLUG



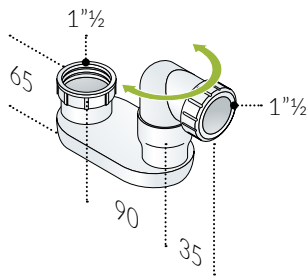
120.113.6

For more informations see page ***

290 + 3290

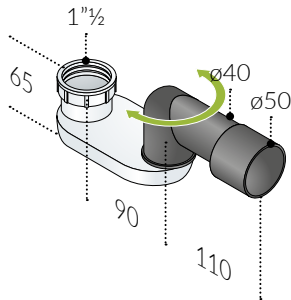
plastic traps

PP and PEHD traps for bathtub
with reduced encumbrance



- a. 290.007.6**
- in PP
 - inlet 1"½ (PP nut)
 - outlet 1"½ (PP nut)
 - adjustable
 - encumbrance H. 65

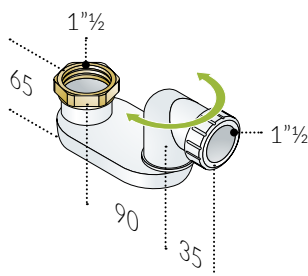
size	packaging	category
1"½ × 1"½	30 - B (bag)	C03
50 mm 52 l/min 30 pcs.		



- b. 290.000.8**
- in PP
 - inlet 1"½ (PP nut)
 - outlet ø40/50 in PEHD
 - adjustable
 - encumbrance H. 65

size	packaging	category
1"½ × ø50	30 - B (bag)	C03
40 mm 65 l/min 30 pcs.		

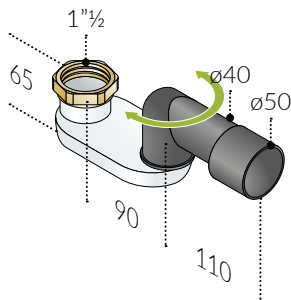
PEHD outlet to be soldered with PE pipes



- a. 290.407.6**
- in PP
 - inlet 1"½ (brass nut)
 - outlet 1"½ (PP nut)
 - adjustable
 - encumbrance H. 65

size	packaging	category
1"½ × 1"½	30 - B (bag)	C03
40 mm 52 l/min 30 pcs.		

Brass nut for is recommended with brass wastes

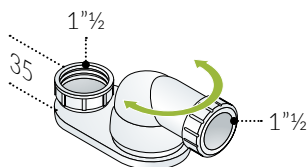


- b. 290.400.8**
- in PP
 - inlet 1"½ (brass nut)
 - outlet ø40/50 in PEHD
 - adjustable
 - encumbrance H. 65

size	packaging	category
1"½ × ø50	30 - B (bag)	C03
40 mm 65 l/min 30 pcs.		

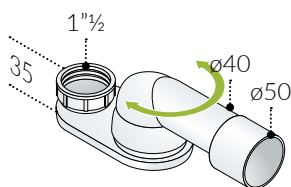
PEHD outlet to be soldered with PE pipes

Brass nut for is recommended with brass wastes



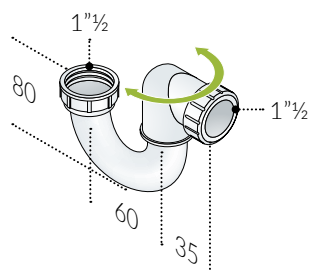
- a. 3290.007.6**
- in PEHD
 - inlet 1"½ (PEHD nut)
 - outlet 1"½ (PEHD nut)
 - adjustable
 - encumbrance H. 35

size	packaging	category
1"½ × 1"½	30 - B (bag)	C03
35 mm 56 l/min 30 pcs.		

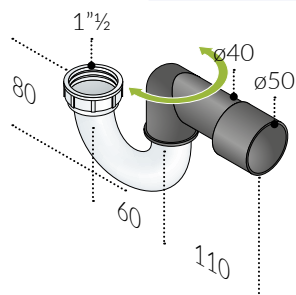


- b. 3290.000.8**
- in PEHD
 - inlet 1"½ (PEHD nut)
 - outlet ø40/50 in PEHD
 - adjustable
 - encumbrance H. 35

size	packaging	category
1"½ × ø50	30 - B (bag)	C03
35 mm 56 l/min 30 pcs.		

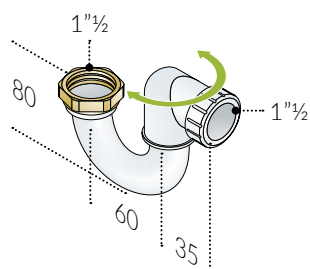


a. 293.007.6	size	packaging	category
<ul style="list-style-type: none"> - in PP - inlet 1 1/2 (PP nut) - outlet 1 1/2 (PP nut) adjustable - encumbrance H. 80 	1 1/2 x 1 1/2	30 - B (bag)	C03
	50 mm 52 l/min 30 pcs.		



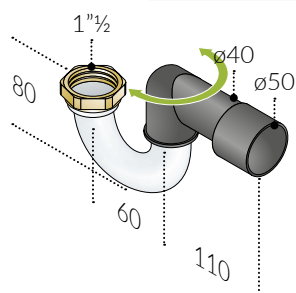
a. 293.000.8	size	packaging	category
<ul style="list-style-type: none"> - in PP - inlet 1 1/2 (PP nut) - outlet ø40/50 in PEHD adjustable - encumbrance H. 80 	1 1/2 x ø50	30 - B (bag)	C03
	50 mm 64 l/min 30 pcs.		

PEHD outlet to be soldered with PE pipes



a. 293.407.6	size	packaging	category
<ul style="list-style-type: none"> - in PP - inlet 1 1/2 (brass nut) - outlet 1 1/2 (PP nut) adjustable - encumbrance H. 80 	1 1/2 x 1 1/2	30 - B (bag)	C03
	50 mm 52 l/min 30 pcs.		

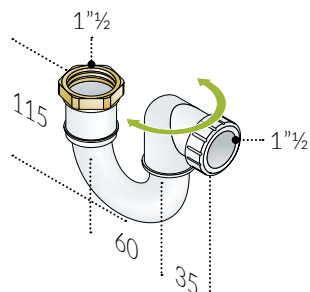
Brass nut for is recommended with brass wastes



a. 293.400.8	size	packaging	category
<ul style="list-style-type: none"> - in PP - inlet 1 1/2 (brass nut) - outlet ø40/50 in PEHD adjustable - encumbrance H. 80 	1 1/2 x ø50	30 - B (bag)	C03
	50 mm 64 l/min 30 pcs.		

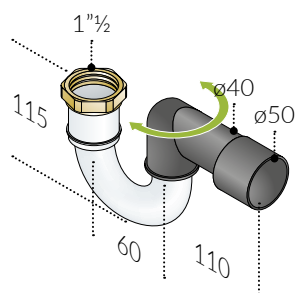
PEHD outlet to be soldered with PE pipes

Brass nut for is recommended with brass wastes



a. 293.907.6	size	packaging	category
<ul style="list-style-type: none"> - in PP - with higher inlet pipe - inlet 1 1/2 (brass nut) - outlet 1 1/2 (PP nut) adjustable - encumbrance H. 115 	1 1/2 x 1 1/2	15 - W (bag)	C03
	50 mm 52 l/min 15 pcs.		

Brass nut for is recommended with brass wastes



a. 293.900.8	size	packaging	category
<ul style="list-style-type: none"> - in PP - with higher inlet pipe - inlet 1 1/2 (brass nut) - outlet ø40/50 in PEHD adjustable - encumbrance H. 115 	1 1/2 x ø50	15 - W (bag)	C03
	50 mm 64 l/min 15 pcs.		

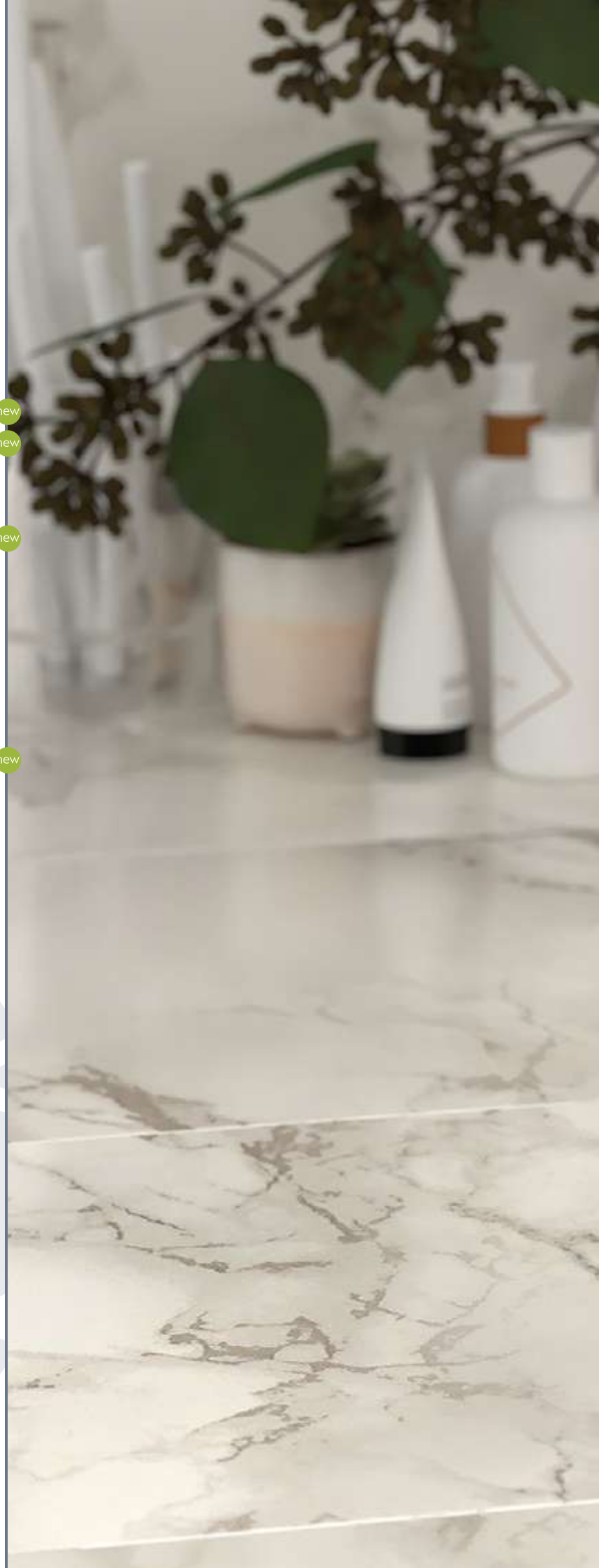
PEHD outlet to be soldered with PE pipes

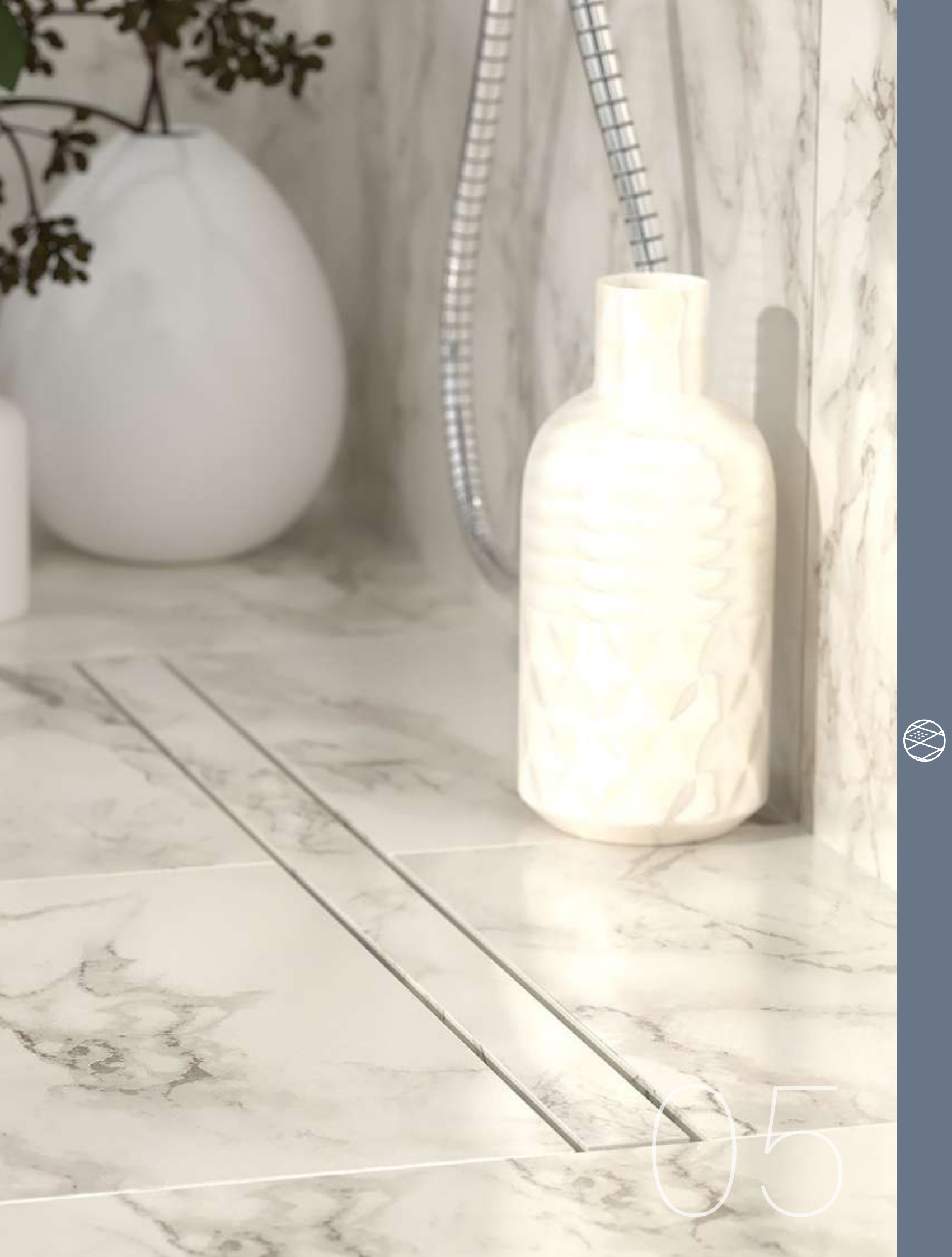
Brass nut for is recommended with brass wastes



Floor drain

- Deflow -
- Sumisura -
- Esseflow -
- Nanoflow -
- Renova -
- Unseen series - new
- Emyflow - new
- Miniflow -
- Basicflow -
- Renova eko - new
- Intramura -
- Odessa -
- Tirana evo -
- No limits V -
- Tirana -
- Kuala Lumpur + Manila -
- Kalamáta - new
- brass trapped floor drains -
- plastic trapped floor drains -
- Minnie -
- 4-In -



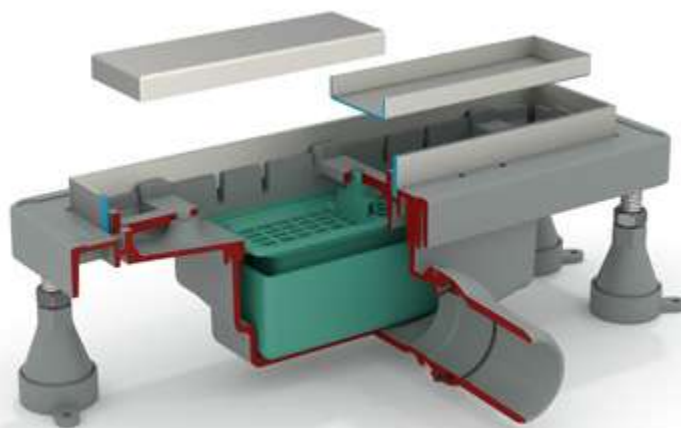


05

973 + 972

Deflow

channel and floor drain for built-in shower

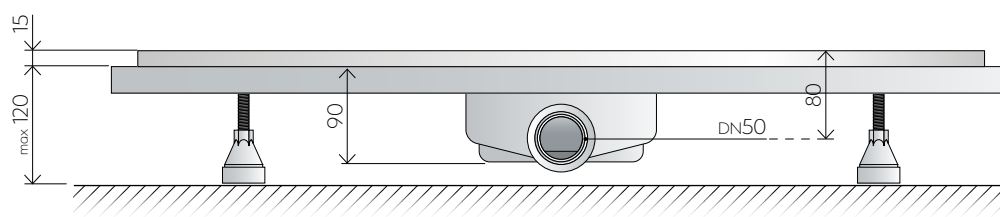
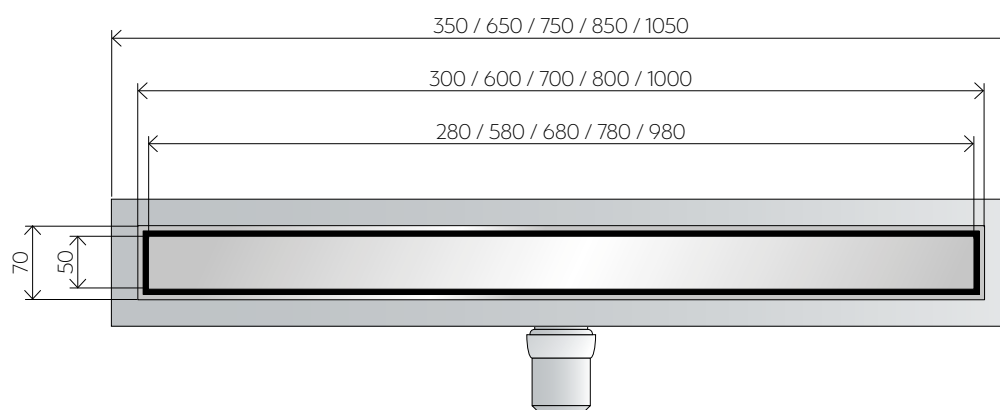


with higher water capacity

- higher water capacity, more than 60 lt/min
- AISI316 stainless steel tileable cover
- thin bed system perimetric waterproofing
- removable trap for cleaning
- adjustable supports to ease the installation
- dry-spot: drainage point for the water filtered through the flooring
- ABS Jointed lateral outlet DN50
- tiling thickness 15 mm
- room under floor H. 90 mm



35 mm 60 l/min 1 pcs.



Deflow 973






measure

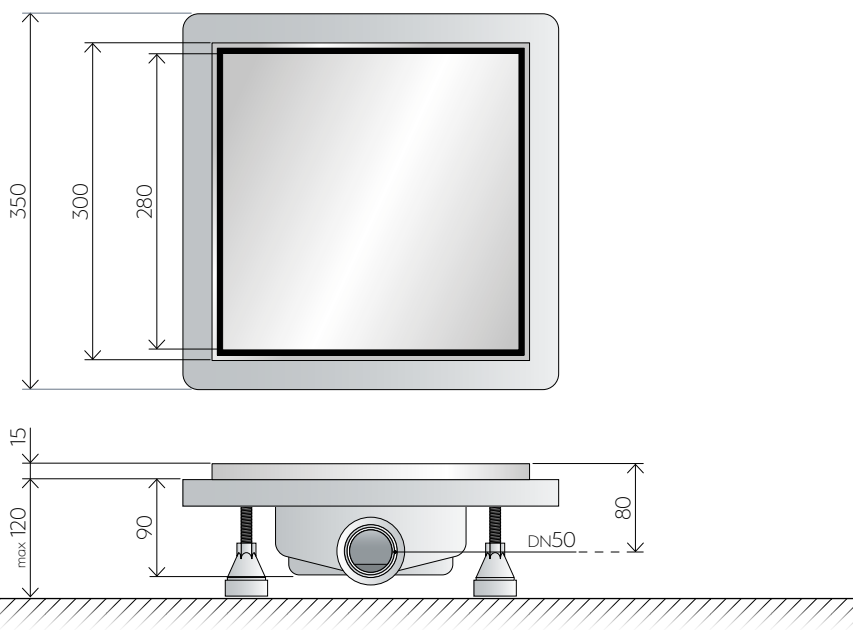
packaging

category



- tiling thickness 15 mm
- room under floor 90 mm
- ABS lateral outlet DN50
- water trap

	measure	packaging	category
	973.101.8 L. 300	1 (box)	C14
	973.801.8 L. 600	1 (box)	C14
	973.901.8 L. 700	1 (box)	C14
	973.201.8 L. 800	1 (box)	C14
	973.401.8 L. 1000	1 (box)	C14



Deflow Q

972

measure

packaging

category

- tiling thickness 15 mm
- room under floor 90 mm
- ABS lateral outlet DN50
- water trap

972.101.8

300×300

1 (box)

C14



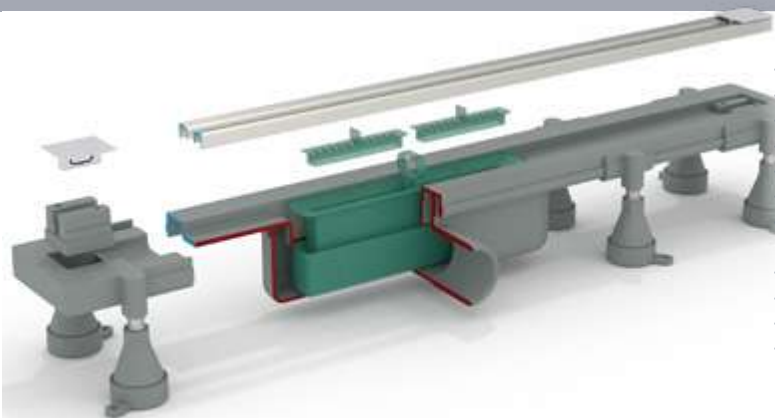
Tiling thickness inside cover 10 mm

NOTES / COMMON FEATURES



1. dry-spot: drainage point for the water filtered through the flooring
2. standard package complete with grid, siphoning and perimetric waterproofing
3. all grids/covers are made in stainless steel AISI 316
4. adjusting supports to ease the installation

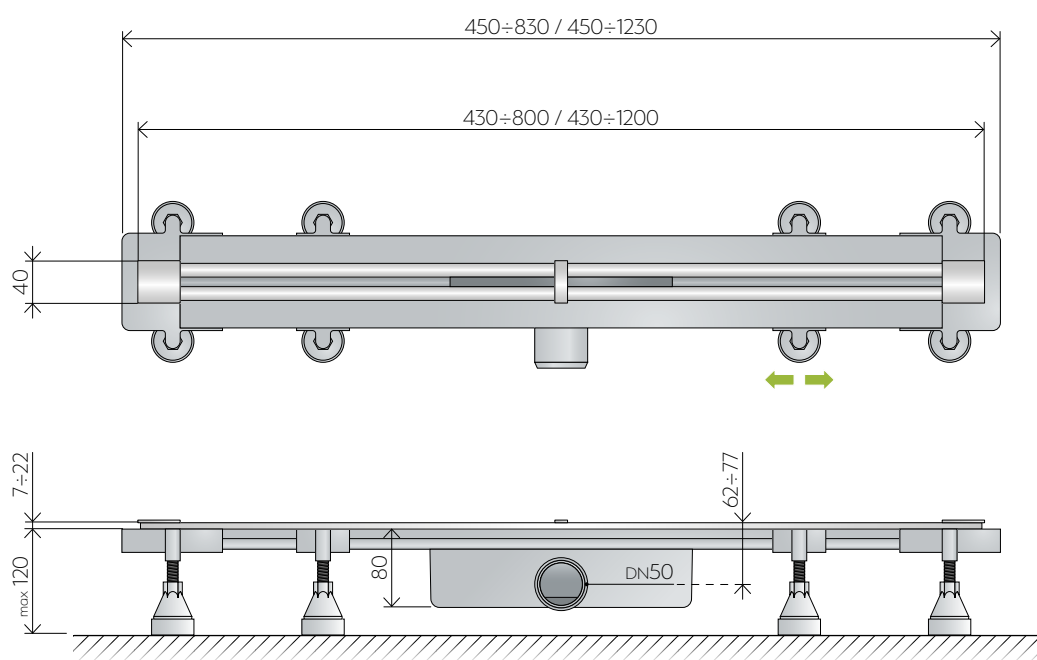


**adjustable length and modular**

- adjustable from 430 minimum to 1200 mm maximum length
- AISI316 s/steel grid adjustable in height for tiles thickness 7÷22 mm
- thin bed system perimetric waterproofing
- removable trap for cleaning
- sliding supports to ease the installation useful with any length
- supplied with the cutting template for the channel and grid
- special joints allow to assemble more channels to extend the drain length or increase the drainage capacity
- dry-spot, drainage point for the water filtered through the flooring
- ABS lateral outlet DN50
- tiling thickness 7÷22 mm
- room under floor H. 80 mm



35 mm 36 l/min 1 pcs.

**Sumisura 983**

measure

packaging

category



- tiling thickness 7÷22 mm
- room under floor 80 mm
- ABS lateral outlet DN50
- water trap

983.201.8

L. 430÷800 1 (box)

C14

983.401.8

L. 430÷1200 1 (box)

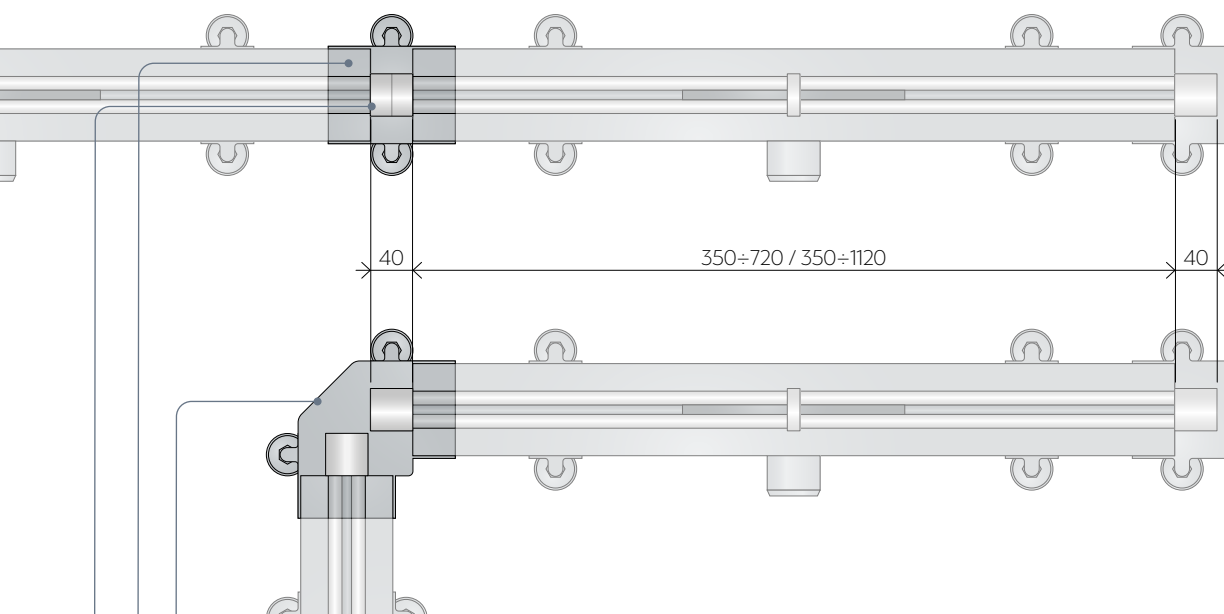
C14

PVD SELECTION

length	gun metal	gold	copper
430÷800	983.201.8.N	983.201.8.3	983.201.8.Q
430÷1.200	983.401.8.N	983.401.8.3	983.401.8.Q

NOTES / COMMON FEATURES

1. dry-spot: drainage point for the water filtered through the flooring
2. standard package complete with grid, siphoning and perimetric waterproofing
3. all grids/covers are made in stainless steel AISI 316
4. adjusting supports to ease the installation



987 measure packaging category

Sumisura length adjustment accessories:

987.000.0 1 (bag) C10

- linear joint

987.004.0 1 (bag) C10

- angular joint

987.001.0 1 (bag) C08

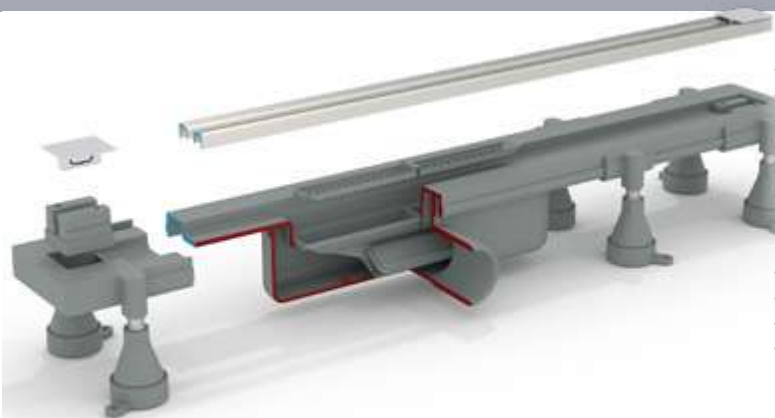
- c.p. brass junction useful to keep separate grids in linear joint, for a easier maintenance removing single grid a time
- to combine with 987.000.0

new



Sumisura dry trap

channel for built-in shower

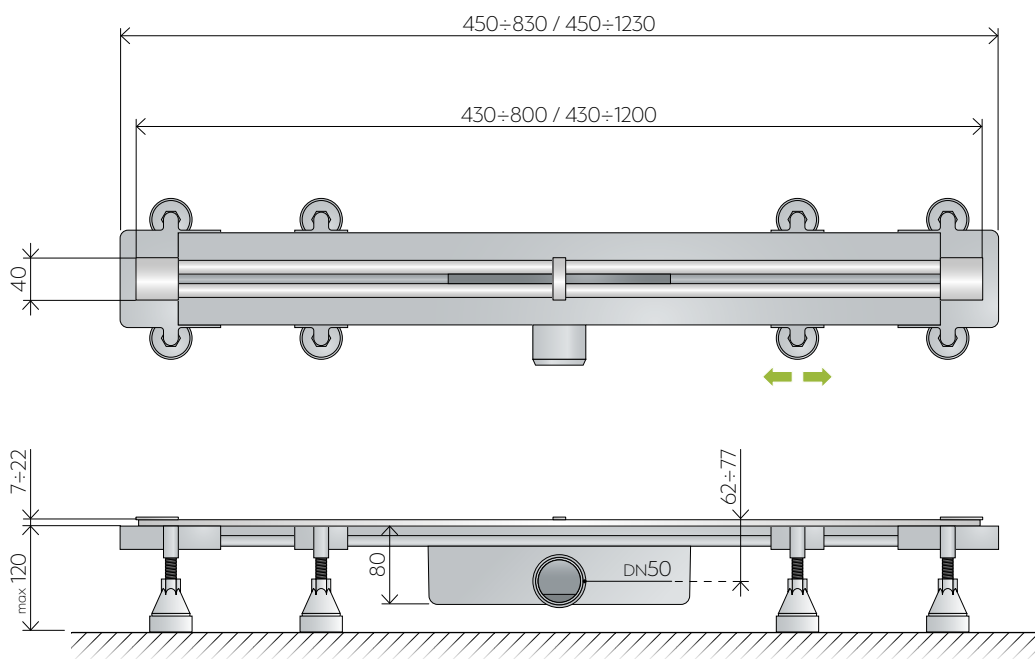


adjustable length and modular, with dry trap

- adjustable from 430 minimum to 1200 mm maximum length
- AISI316 s/steel grid adjustable in height for tiles thickness 7÷22 mm
- thin bed system perimetric waterproofing
- removable dry trap for cleaning
- sliding supports to ease the installation useful with any length
- supplied with the cutting template for the channel and grid
- special joints allow to assemble more channels to extend the drain length or increase the drainage capacity
- dry-spot, drainage point for the water filtered through the flooring
- ABS lateral outlet DN50
- tiling thickness 7÷22 mm
- room under floor H. 80 mm



36 l/min 1 pcs.



Sumisura dry trap

983

measure

packaging

category



- tiling thickness 7÷22 mm
- room under floor 80 mm
- ABS lateral outlet DN50
- dry trap

983.271.8

L. 430÷800 1 (box)

C14

new

983.471.8

L. 430÷1200 1 (box)

C14

new

PVD SELECTION

length	gun metal	gold	copper
430÷800	983.271.8.N	983.271.8.3	983.271.8.Q
430÷1.200	983.471.8.N	983.471.8.3	983.471.8.Q

NOTES / COMMON FEATURES

1. dry-spot: drainage point for the water filtered through the flooring
2. standard package complete with grid, siphoning and perimetric waterproofing
3. all grids/covers are made in stainless steel AISI 316
4. adjusting supports to ease the installation

Sumisura vertical outlet

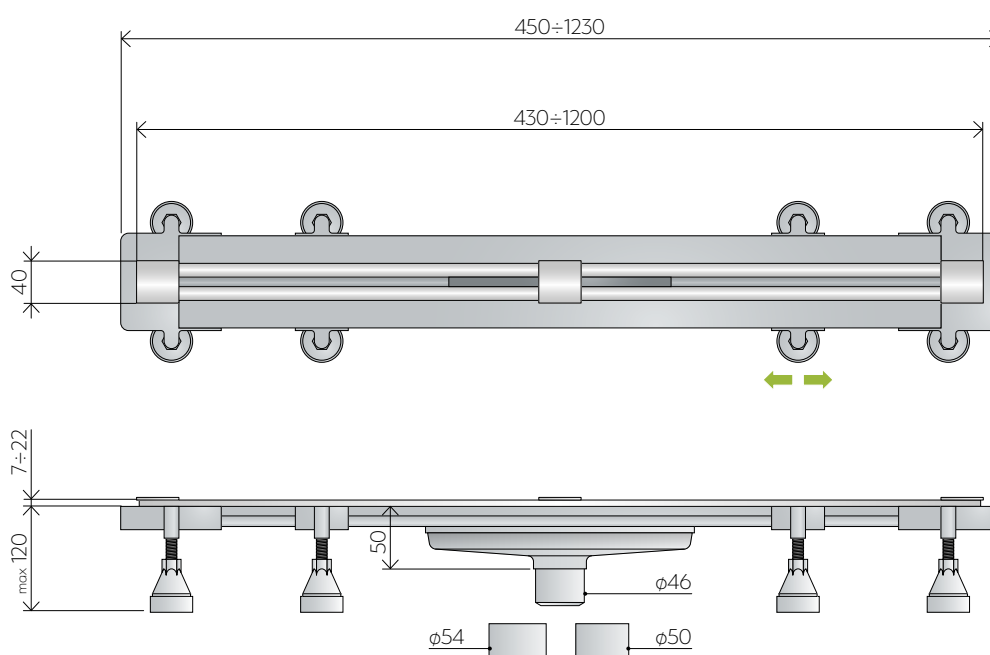
channel for built-in shower

**adjustable length and modular, with vertical outlet**

- adjustable from 430 minimum to 1200 mm maximum length
- AISI316 s/steel grid adjustable in height for tiles thickness 7÷22 mm
- thin bed system perimetric waterproofing
- removable s/steel catching-hair grid
- sliding supports to ease the installation useful with any length
- supplied with the cutting template for the channel and grid
- special joints allow to assemble more channels to extend the drain length or increase the drainage capacity
- dry-spot, drainage point for the water filtered through the flooring
- ABS vertical outlet $\phi 46$ + adaptors $\phi 50/54$
- tiling thickness 7÷22 mm
- room under floor H. 50 mm (supports excluded)



36 l/min 1 pcs.



Sumisura V.O.

982

measure

packaging

category

- tiling thickness 7÷22 mm
- room under floor 50 mm
- ABS vertical outlet $\phi 46/50/54$
- no trap

982.401.8

L. 430÷1200 1 (box)

C14

new



PVD SELECTION

length	gun metal	gold	copper
430÷1.200	982.401.8.N	982.401.8.3	982.401.8.Q

NOTES / COMMON FEATURES

1. dry-spot: drainage point for the water filtered through the flooring
2. standard package complete with grid, and perimetric waterproofing
3. all grids/covers are made in stainless steel AISI 316
4. adjusting supports to ease the installation

6963

Esseflow

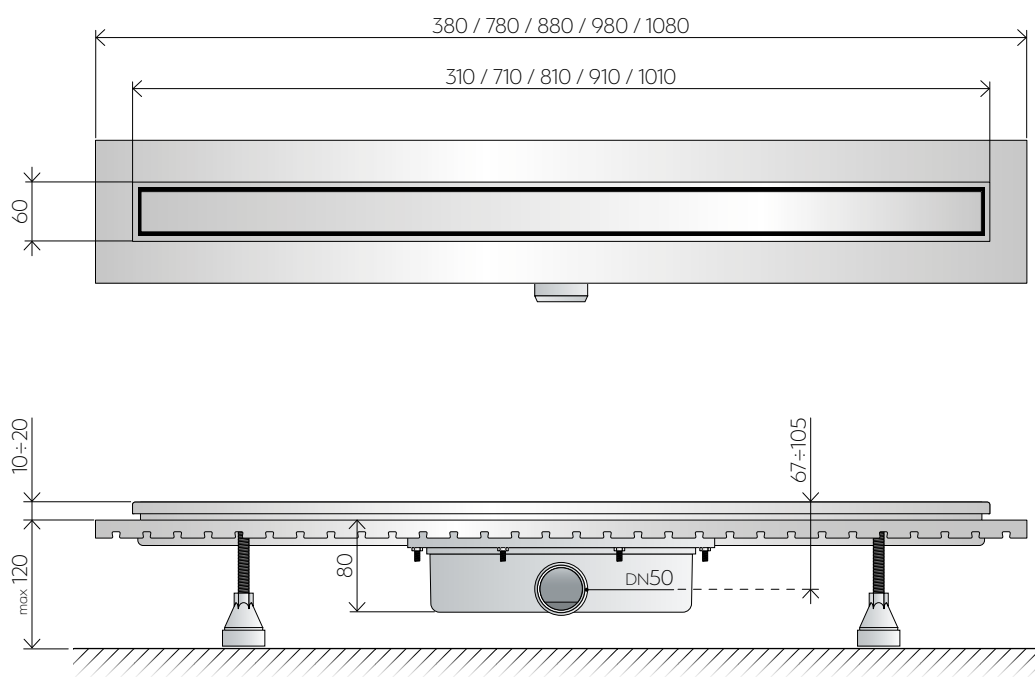
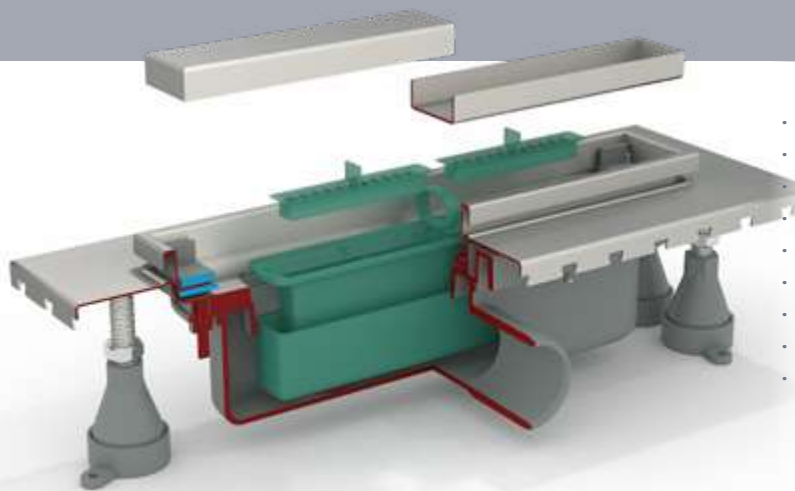
channel for built-in shower

with structure in s/steel AISI 316

- AISI316 stainless steel tileable cover
- cover adjustable in height for tiles thickness from 10 to 20 mm
- thin bed system perimeteric waterproofing
- removable trap for cleaning
- adjustable supports to ease the installation
- dry-spot: drainage point for the water filtered through the flooring
- ABS lateral outlet DN50
- tiling thickness 10±20 mm
- room under floor H. 80 mm



35 mm 46 l/min 1 pcs.

**Esseflow 6963**






measure

packaging

category



- tiling thickness 10±20 mm
- room under floor 80 mm
- ABS lateral outlet DN50
- water trap

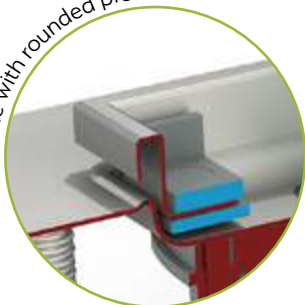
	6963.101.8	L. 300	1 (box)	C14
	6963.901.8	L. 700	1 (box)	C14
	6963.201.8	L. 800	1 (box)	C14
	6963.301.8	L. 900	1 (box)	C14
	6963.401.8	L. 1000	1 (box)	C14



PVD SELECTION





length	gun metal	gold	copper
300	6963.101.8.N	6963.101.8.3	6963.101.8.Q
700	6963.901.8.N	6963.901.8.3	6963.901.8.Q
800	6963.201.8.N	6963.201.8.3	6963.201.8.Q
900	6963.301.8.N	6963.301.8.3	6963.301.8.Q
1.000	6963.401.8.N	6963.401.8.3	6963.401.8.Q

frame with rounded profile



 Tiling thickness inside cover 14 mm

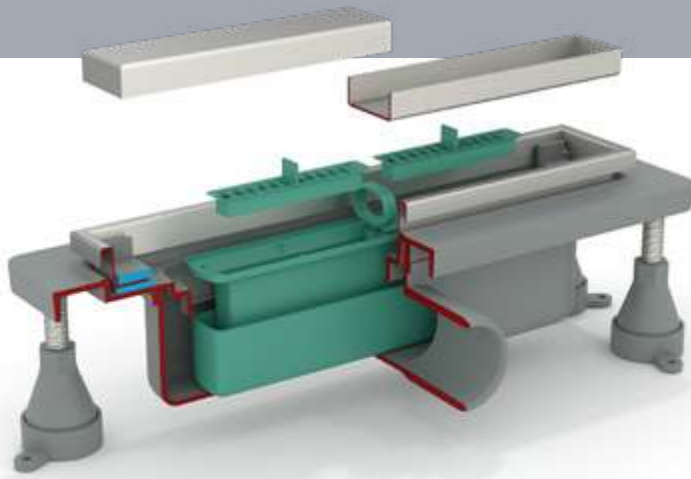
NOTES / COMMON FEATURES

-  1. dry-spot: drainage point for the water filtered through the flooring
-  2. standard package complete with grid, siphoning and perimetric waterproofing
-  3. all grids/covers are made in stainless steel AISI 316
-  4. adjusting supports to ease the installation

953

Nanoflow

channel for built-in shower



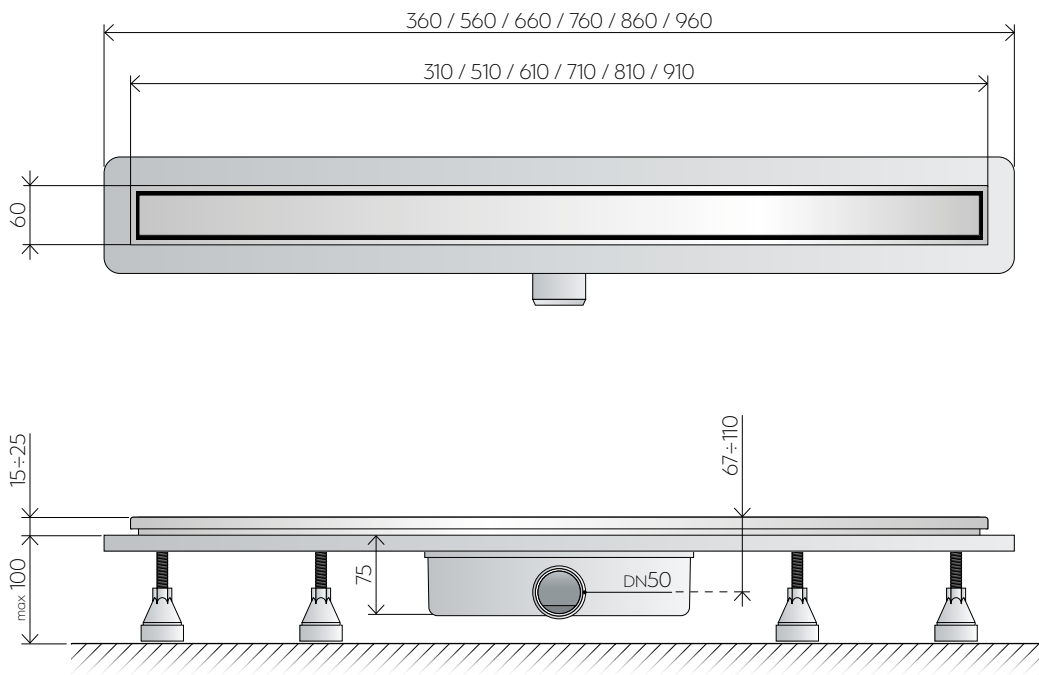
entry-level with tileable cover

- AISI316 stainless steel tileable cover
- cover adjustable in height for tiles thickness from 15 to 25 mm
- thin bed system perimetric waterproofing
- removable trap for cleaning
- adjustable supports to ease the installation
- dry-spot: drainage point for the water filtered through the flooring
- ABS lateral outlet DN50
- tiling thickness 15÷25 mm
- room under floor H. 75 mm
- **ideal also for flush-to-wall installation**











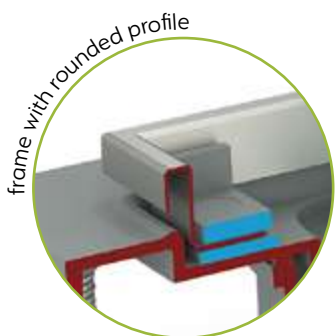
 35 mm 40 l/min 1 pcs.



Nanoflow 953 measure packaging category

- tiling thickness 15÷25 mm
- room under floor 75 mm
- ABS lateral outlet DN50
- water trap

	953.101.8	L. 300	1 (box)	C14
	953.701.8	L. 500	1 (box)	C14
	953.801.8	L. 600	1 (box)	C14
	953.901.8	L. 700	1 (box)	C14
	953.201.8	L. 800	1 (box)	C14
	953.301.8	L. 900	1 (box)	C14



PVD SELECTION

length	gun metal	gold	copper
300	953.101.8.N	953.101.8.3	953.101.8.Q
500	953.701.8.N	953.701.8.3	953.701.8.Q
600	953.801.8.N	953.801.8.3	953.801.8.Q
700	953.901.8.N	953.901.8.3	953.901.8.Q
800	953.201.8.N	953.201.8.3	953.201.8.Q
900	953.301.8.N	953.301.8.3	953.301.8.Q

* Tiling thickness inside cover 14 mm

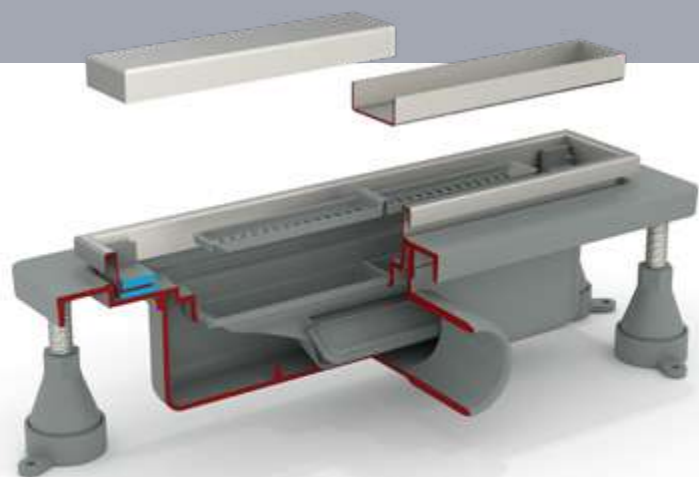
NOTES / COMMON FEATURES

- 1. dry-spot: drainage point for the water filtered through the flooring
- 2. standard package complete with grid, siphoning and perimetric waterproofing
- 3. all grids/covers are made in stainless steel AISI 316
- 4. adjusting supports to ease the installation

953

Nanoflow dry trap

channel for built-in shower

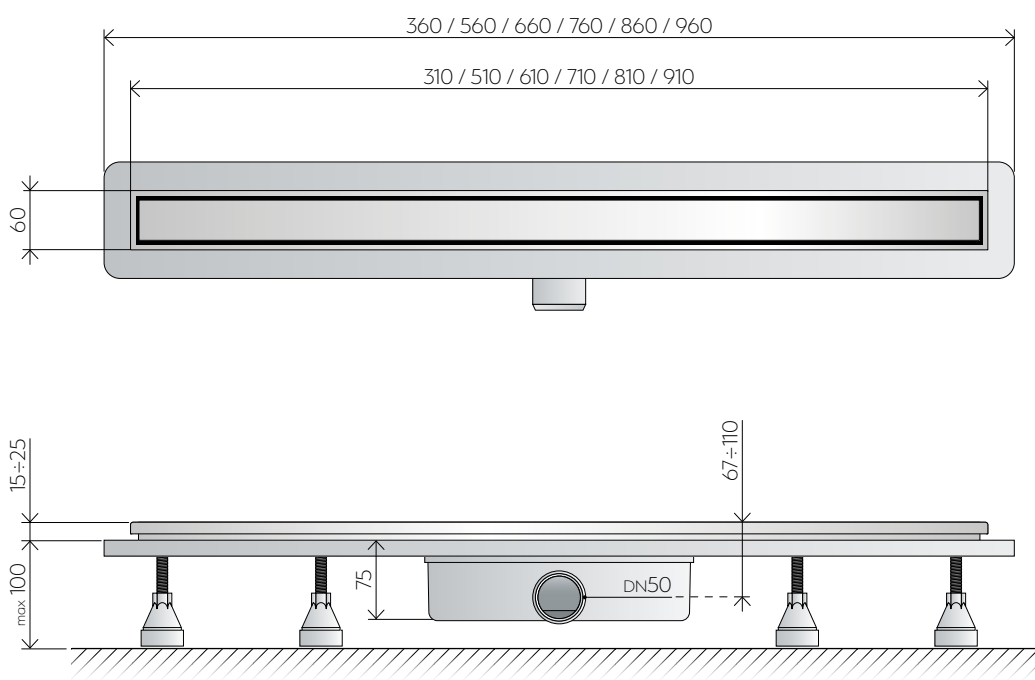


entry-level with tileable cover and dry trap

- AISI316 stainless steel tileable cover
- cover adjustable in height for tiles thickness from 15 to 25 mm
- thin bed system perimetric waterproofing
- removable dry trap for cleaning
- adjustable supports to ease the installation
- dry-spot: drainage point for the water filtered through the flooring
- ABS lateral outlet DN50
- tiling thickness 15÷25 mm
- room under floor H. 75 mm
- ideal also for flush-to-wall installation



40 l/min 1 pcs.



Nanoflow dry trap

953












measure

packaging

category

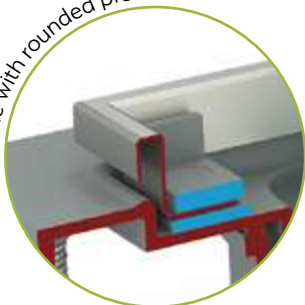


- tiling thickness 15÷25 mm
- room under floor 75 mm
- ABS lateral outlet DN50
- dry trap

	953.171.8	L. 300	1 (box)	C14	
	953.771.8	L. 500	1 (box)	C14	
	953.871.8	L. 600	1 (box)	C14	
	953.971.8	L. 700	1 (box)	C14	
	953.271.8	L. 800	1 (box)	C14	
	953.371.8	L. 900	1 (box)	C14	



frame with rounded profile



PVD SELECTION

length	gun metal	gold	copper
300	953.171.8.N	953.171.8.3	953.171.8.Q
500	953.771.8.N	953.771.8.3	953.771.8.Q
600	953.871.8.N	953.871.8.3	953.871.8.Q
700	953.971.8.N	953.971.8.3	953.971.8.Q
800	953.271.8.N	953.271.8.3	953.271.8.Q
900	953.371.8.N	953.371.8.3	953.371.8.Q

* Tiling thickness inside cover 14 mm

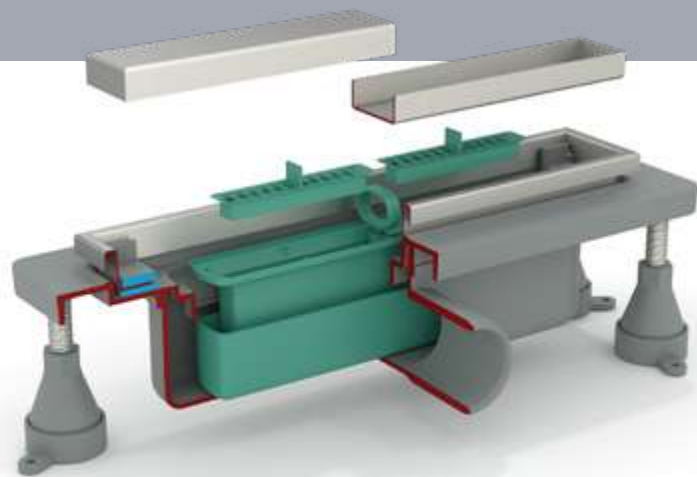
NOTES / COMMON FEATURES

- 1. dry-spot: drainage point for the water filtered through the flooring
- 2. standard package complete with grid, siphoning and perimetric waterproofing
- 3. all grids/covers are made in stainless steel AISI 316
- 4. adjusting supports to ease the installation

953.05

Nanoflow mosaic

channel for built-in shower

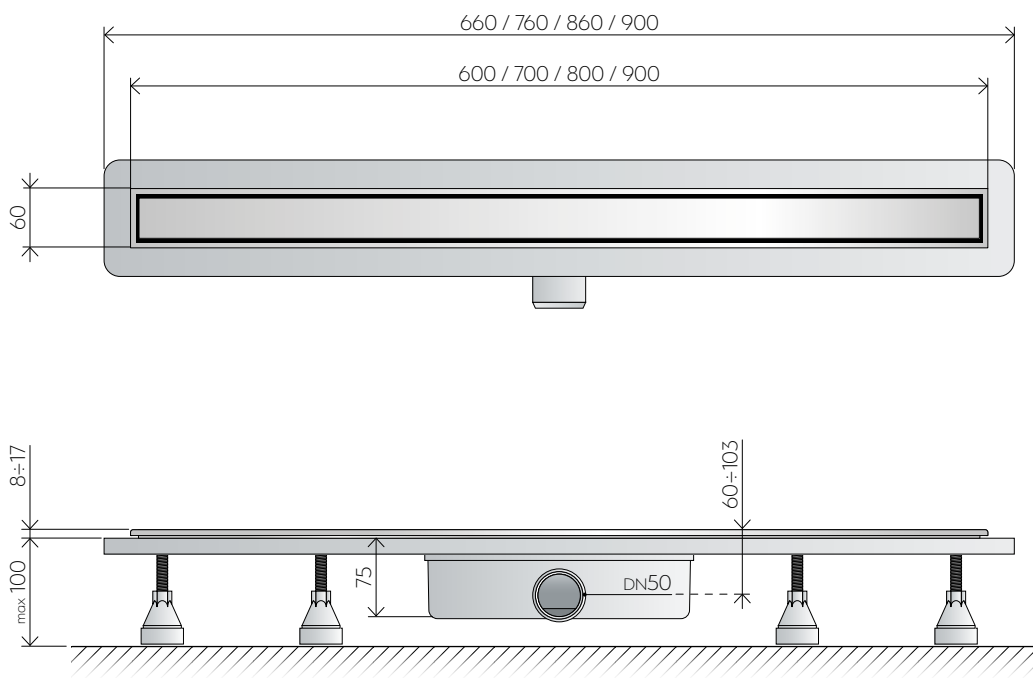


for minimum tiles thickness 8 mm

- AISI316 stainless steel tileable cover
- cover adjustable in height for tiles thickness from minimum 8 mm
- thin bed system perimetric waterproofing
- removable trap for cleaning
- adjustable supports to ease the installation
- dry-spot: drainage point for the water filtered through the flooring
- ABS lateral outlet DN50
- tiling thickness 8÷17 mm
- room under floor H. 75 mm
- ideal also for flush-to-wall installation



35 mm 40 l/min 1 pcs.



Nanoflow mosaic

953.05





measure

packaging

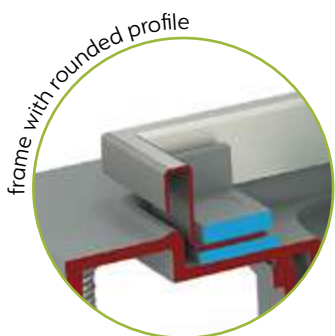
category



- tiling thickness 8÷17 mm
- room under floor 75 mm
- ABS lateral outlet DN50
- water trap

	953.801.8.05	L. 600	1 (box)	C14
	953.901.8.05	L. 700	1 (box)	C14
	953.201.8.05	L. 800	1 (box)	C14
	953.301.8.05	L. 900	1 (box)	C14

new



* Tiling thickness inside cover 8 mm

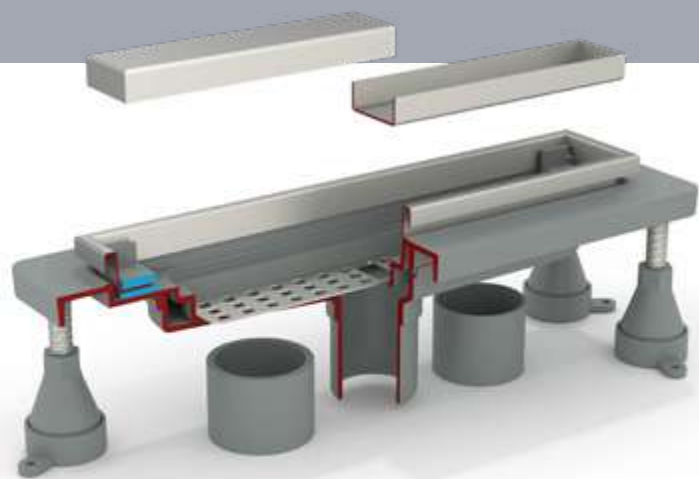
NOTES / COMMON FEATURES

- * 1. dry-spot: drainage point for the water filtered through the flooring
- 2. standard package complete with grid, siphoning and perimetric waterproofing
- 3. all grids/covers are made in stainless steel AISI 316
- 4. adjusting supports to ease the installation

952

Nanoflow vertical outlet

channel for built-in shower

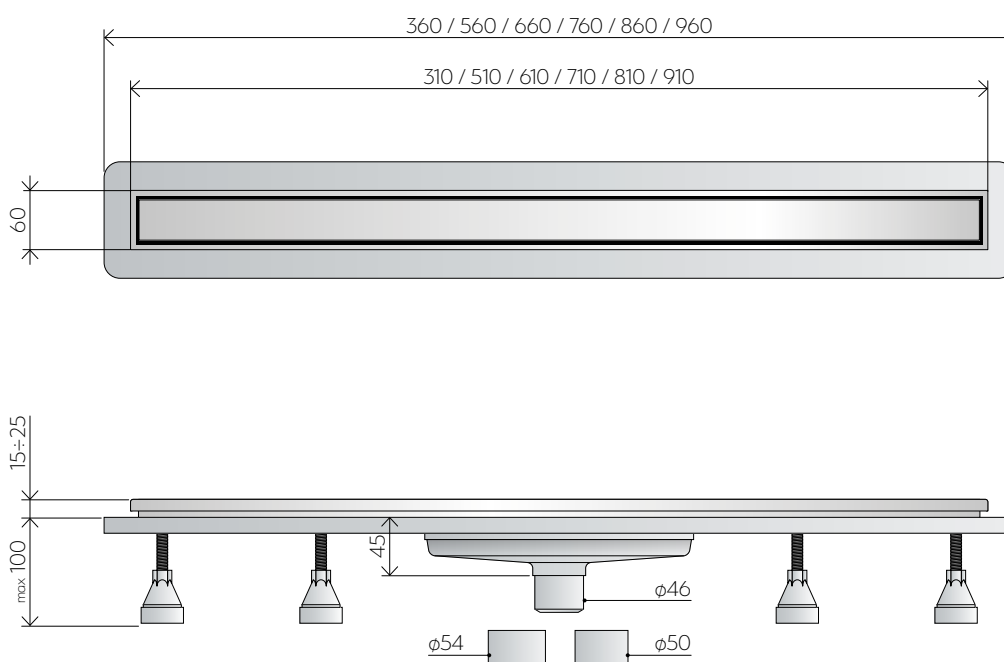















entry-level with tileable cover, with vertical outlet

- AISI316 stainless steel tileable cover
- cover adjustable in height for tiles thickness from 15 to 25 mm
- thin bed system perimetric waterproofing
- removable s/steel catching-hair grid
- adjustable supports to ease the installation
- dry-spot: drainage point for the water filtered through the flooring
- ABS vertical outlet $\phi 46$ + adaptors $\phi 50/54$
- tiling thickness $15 \div 25$ mm
- room under floor H. 45 mm (supports excluded)
- ideal also for flush-to-wall installation



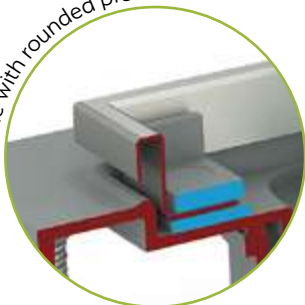
40 l/min 1 pcs.



Nanoflow v.o.	953	measure	packaging	category	
	- tiling thickness 15÷25 mm - room under floor 45 mm - ABS vertical outlet $\phi 46/50/54$ - no trap				
	952.101.8	L. 300	1 (box)	C14	
	952.701.8	L. 500	1 (box)	C14	
	952.801.8	L. 600	1 (box)	C14	
	952.901.8	L. 700	1 (box)	C14	
	952.201.8	L. 800	1 (box)	C14	
	952.301.8	L. 900	1 (box)	C14	



frame with rounded profile




PVD SELECTION

length	gun metal	gold	copper
300	952.101.8.N	952.101.8.3	952.101.8.Q
500	952.701.8.N	952.701.8.3	952.701.8.Q
600	952.801.8.N	952.801.8.3	952.801.8.Q
700	952.901.8.N	952.901.8.3	952.901.8.Q
800	952.201.8.N	952.201.8.3	952.201.8.Q
900	952.301.8.N	952.301.8.3	952.301.8.Q

 Tiling thickness inside cover 14 mm

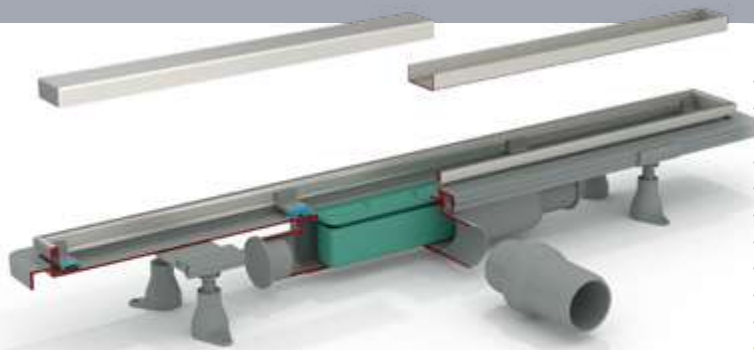
NOTES / COMMON FEATURES

-  1. dry-spot: drainage point for the water filtered through the flooring
- 2. standard package complete with grid, and perimetric waterproofing
- 3. all grids/covers are made in stainless steel AISI 316
- 4. adjusting supports to ease the installation

5953

Renova

channel for built-in shower

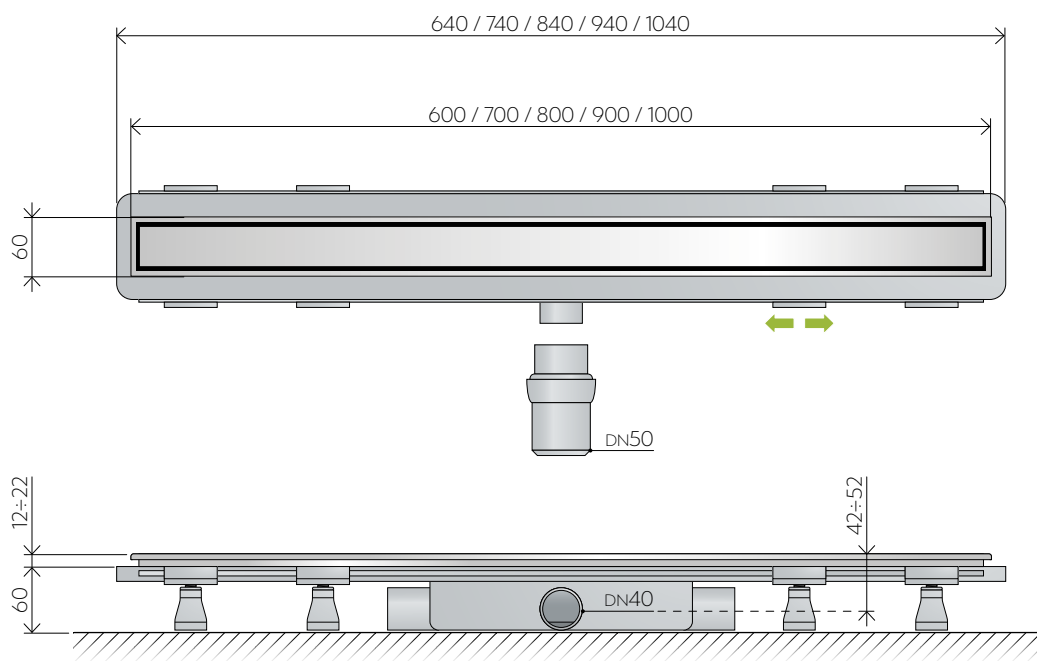


minimum encumbrance under floor, only 60 mm

- AISI316 stainless steel tileable cover
- cover adjustable in height for tiles thickness from 12 to 22 mm
- thin bed system perimetric waterproofing
- removable trap for cleaning
- adjustable supports to ease the installation
- dry-spot: drainage point for the water filtered through the flooring
- ABS trap with two additional DN40 ABS exits
- ABS DN50 jointed outlet
- tiling thickness 12÷22 mm
- room under floor H. 60 mm
- suitable for renovations



35 mm 33 l/min 1 pcs.



Renova 5953






measure

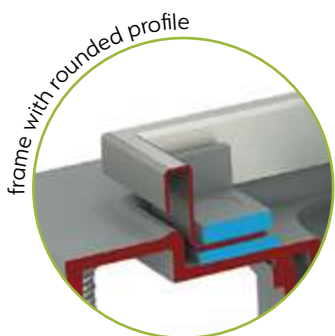
packaging

category




- tiling thickness 12÷22 mm
- room under floor 60 mm
- ABS lateral outlet DN40/50
- water trap

	5953.801.8.05	L. 600	1 (box)	C14
	5953.901.8.05	L. 700	1 (box)	C14
	5953.201.8.05	L. 800	1 (box)	C14
	5953.301.8.05	L. 900	1 (box)	C14
	5953.401.8.05	L. 1000	1 (box)	C14



PVD SELECTION			
length	gun metal	gold	copper
600	5953.801.8.05.N	5953.801.8.05.3	5953.801.8.05.Q
700	5953.901.8.05.N	5953.901.8.05.3	5953.901.8.05.Q
800	5953.201.8.05.N	5953.201.8.05.3	5953.201.8.05.Q
900	5953.301.8.05.N	5953.301.8.05.3	5953.301.8.05.Q
1.000	5953.401.8.05.N	5953.401.8.05.3	5953.401.8.05.Q

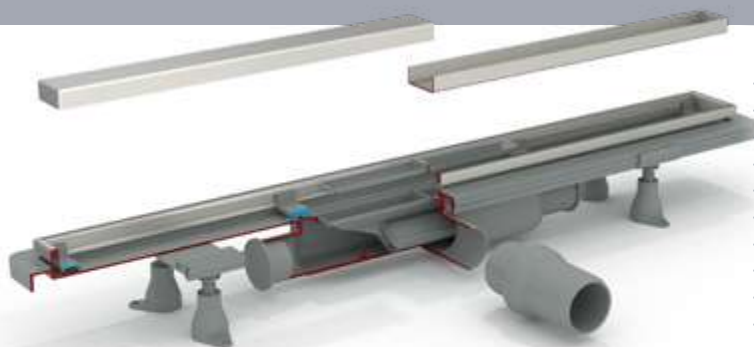
 Tiling thickness inside cover 8 mm

- NOTES / COMMON FEATURES**
-  1. dry-spot: drainage point for the water filtered through the flooring
 - 2. standard package complete with grid, siphoning and perimetric waterproofing
 - 3. all grids/covers are made in stainless steel AISI 316
 - 4. adjusting supports to ease the installation

5953

Renova dry trap

channel for built-in shower

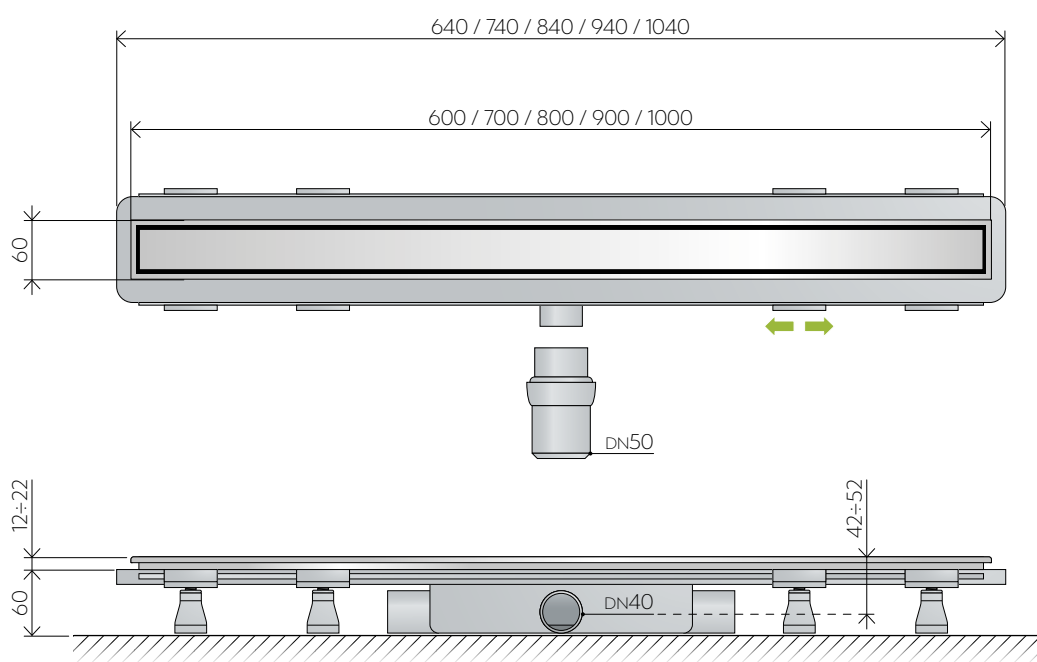


minimum encumbrance under floor, with dry trap

- AISI316 stainless steel tileable cover
- cover adjustable in height for tiles thickness from 12 to 22 mm
- thin bed system perimetric waterproofing
- removable dry trap for cleaning
- adjustable supports to ease the installation
- dry-spot: drainage point for the water filtered through the flooring
- ABS trap with two additional DN40 ABS exits
- ABS DN50 jointed outlet
- tiling thickness 12÷22 mm
- room under floor H. 60 mm
- suitable for renovations



33 l/min 1 pcs.



Renova dry trap

5953











measure

packaging

category

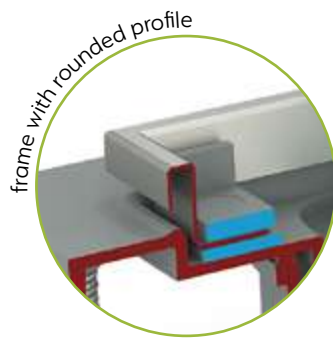


- tiling thickness 12÷22 mm
- room under floor 60 mm
- ABS lateral outlet DN40/50
- dry trap

	5953.871.8.05	L. 600	1 (box)	C14	
	5953.971.8.05	L. 700	1 (box)	C14	
	5953.271.8.05	L. 800	1 (box)	C14	
	5953.371.8.05	L. 900	1 (box)	C14	
	5953.471.8.05	L. 1000	1 (box)	C14	



reversible tileable cover




frame with rounded profile

PVD SELECTION

length	gun metal	gold	copper
600	5953.871.8.05.N	5953.871.8.05.3	5953.871.8.05.Q
700	5953.971.8.05.N	5953.971.8.05.3	5953.971.8.05.Q
800	5953.271.8.05.N	5953.271.8.05.3	5953.271.8.05.Q
900	5953.371.8.05.N	5953.371.8.05.3	5953.371.8.05.Q
1.000	5953.471.8.05.N	5953.471.8.05.3	5953.471.8.05.Q

 Tiling thickness inside cover 8 mm

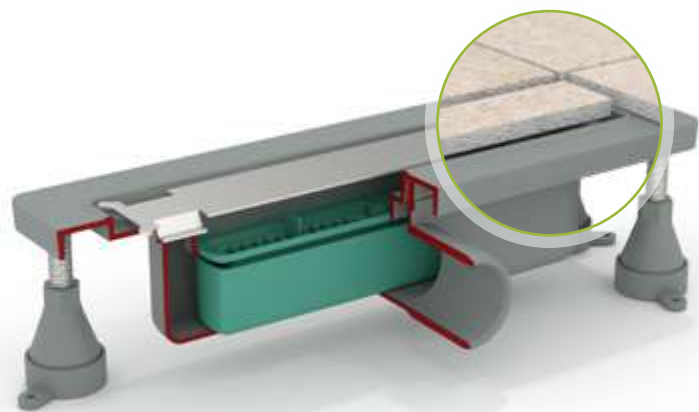
NOTES / COMMON FEATURES

-  1. dry-spot: drainage point for the water filtered through the flooring
- 2. standard package complete with grid, siphoning and perimetric waterproofing
- 3. all grids/covers are made in stainless steel AISI 316
- 4. adjusting supports to ease the installation

953

Nanoflow unseen

channel for built-in shower



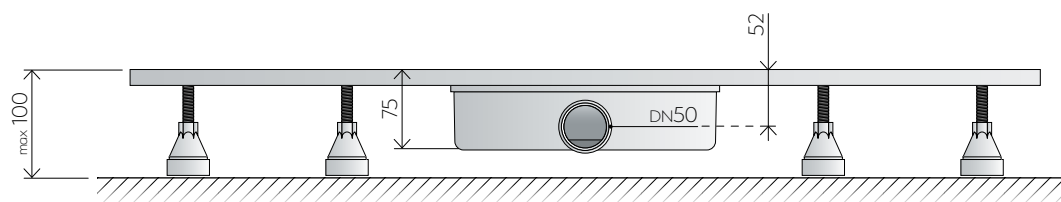
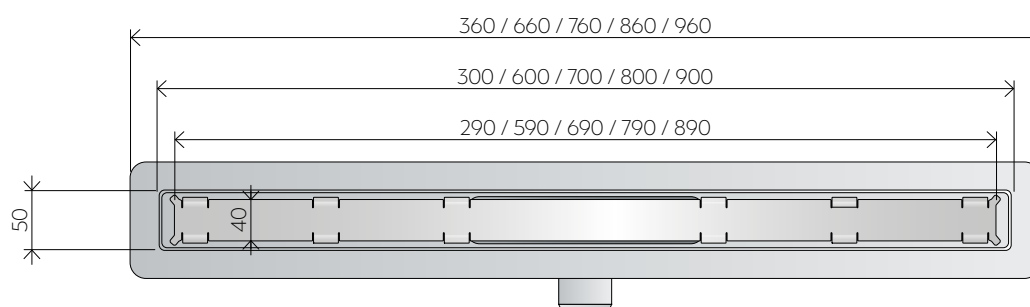
completely invisible

- AISI316 stainless steel support for central tile
- thin bed system perimetric waterproofing
- removable trap for cleaning (available also with dry trap)
- adjustable supports to ease the installation
- ABS lateral outlet DN50
- room under floor H. 75 mm
- ideal also for flush-to-wall installation



35 mm 40 l/min 1 pcs.

omptea.eu



Nanoflow unseen

953

measure

packaging

category



- tiling thickness no limits
- room under floor 75 mm
- ABS lateral outlet DN50
- water trap

953.105.8	L. 300	1 (box)	C14	new
953.805.8	L. 600	1 (box)	C14	new
953.905.8	L. 700	1 (box)	C14	new
953.205.8	L. 800	1 (box)	C14	new
953.305.8	L. 900	1 (box)	C14	new



COMPLETELY INVISIBLE



The grid has no edges to contain the tile and the traditional profile to delimit the water drainage slot has been replaced by a temporary template to be eliminated once the installation has been completed: in this way all the visible parts of the drain have been removed and the result is a shower channels model in which only the water flow slot remains visible.



Nanoflow unseen / dry trap



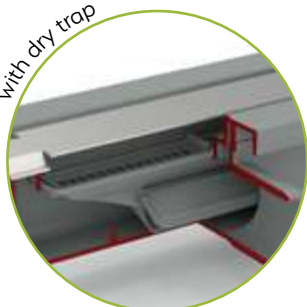
953

- tiling thickness no limits
- room under floor 75 mm
- ABS lateral outlet DN50
- water trap

measure packaging category

953.175.8	L. 300	1 (box)	C14	new
953.875.8	L. 600	1 (box)	C14	new
953.975.8	L. 700	1 (box)	C14	new
953.275.8	L. 800	1 (box)	C14	new
953.375.8	L. 900	1 (box)	C14	new

with dry trap



Nanoflow unseen v.o.

channel for built-in shower

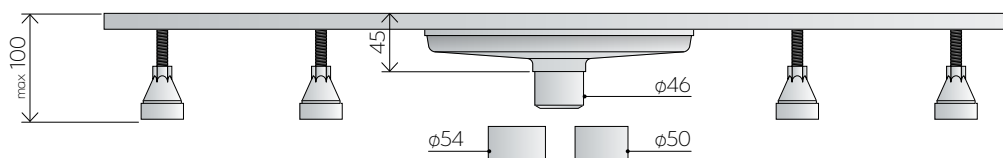
completely invisible, with vertical outlet

- AISI316 stainless steel support for central tile
- thin bed system perimetric waterproofing
- removable s/steel catching-hair grid
- adjustable supports to ease the installation
- ABS vertical outlet $\phi 46$ + adaptors $\phi 50/54$
- room under floor H. 45 mm (supports excluded)
- ideal also for flush-to-wall installation



40 l/min 1 pcs.

omptea.eu



Nanoflow unseen / v.o.

952

measure

packaging

category



- tiling thickness no limits
- room under floor 45 mm
- ABS vertical outlet $\phi 46/50/54$
- no trap

952.105.8

L. 300

1 (box)

C14

new

952.805.8

L. 600

1 (box)

C14

new

952.905.8

L. 700

1 (box)

C14

new

952.205.8

L. 800

1 (box)

C14

new

952.305.8

L. 900

1 (box)

C14

new

6963

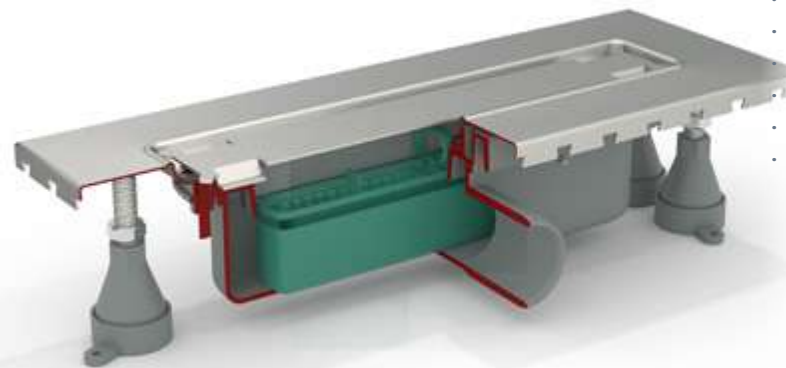
Esseflow unseen

channel for built-in shower

new

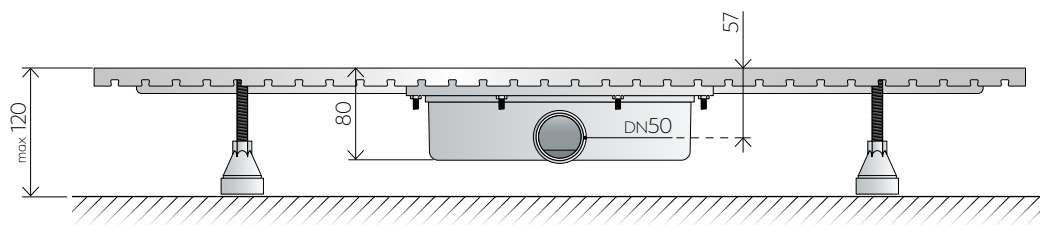
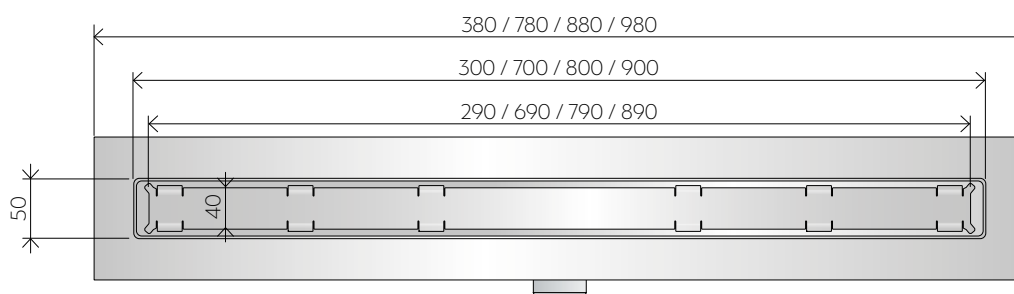
completely invisible, with structure in s/steel AISI 316

- AISI316 stainless steel support for central tile
- thin bed system perimetric waterproofing
- removable trap for cleaning
- adjustable supports to ease the installation
- ABS lateral outlet DN50
- room under floor H. 80 mm



35 mm 46 l/min 1 pcs.

omptea.eu



Esseflow unseen

6963

measure

packaging

category

- tiling thickness no limits
- room under floor 80 mm
- ABS lateral outlet DN50
- water trap

6963.105.8

L. 300

1 (box)

C14

new

6963.905.8

L. 700

1 (box)

C14

new

6963.205.8

L. 800

1 (box)

C14

new

6963.305.8

L. 900

1 (box)

C14

new



NOTES

The grid has no edges to contain the tile and the traditional profile to delimit the water drainage slot has been replaced by a temporary template to be eliminated once the installation has been completed: in this way all the visible parts of the drain have been removed and the result is a shower channels model in which only the water flow slot remains visible.

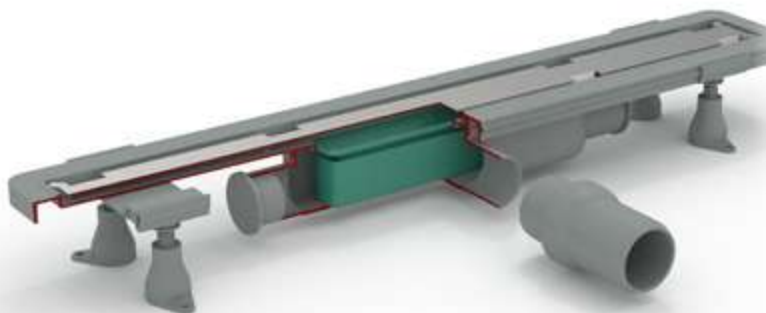
5953

Renova unseen

channel for built-in shower

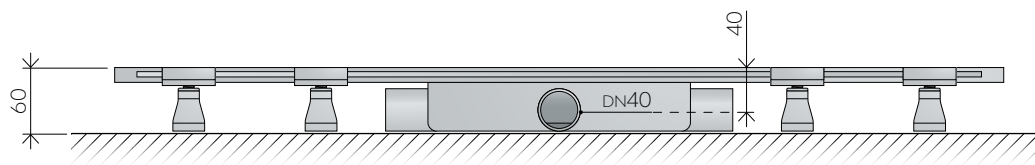
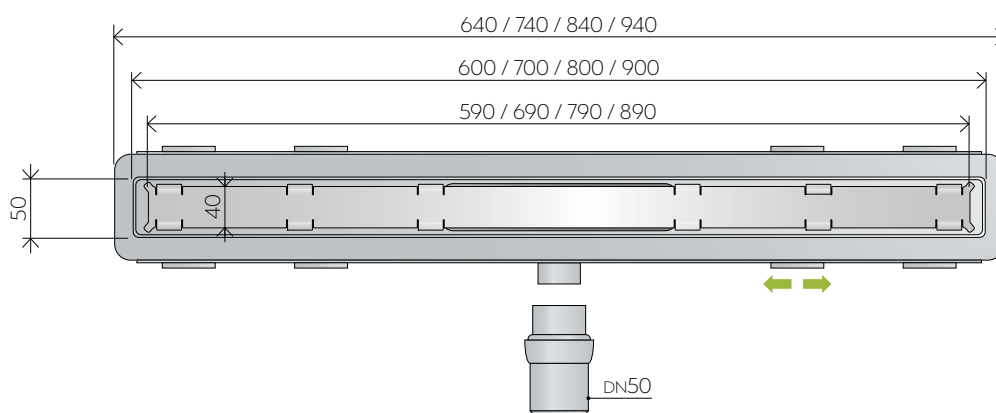
completely invisible, with minimum encumbrance

- AISI316 stainless steel support for central tile
- thin bed system perimetric waterproofing
- removable trap for cleaning (available also with dry trap)
- adjustable supports to ease the installation
- ABS trap with two additional DN40 ABS exits
- ABS DN50 jointed outlet
- room under floor H. 60 mm
- suitable for renovations



35 mm 33 l/min 1 pcs.

omptea.eu



Renova unseen

5953

measure

packaging

category



- tiling thickness no limits
- room under floor 60 mm
- ABS lateral outlet DN40/50
- water trap

measure	packaging	category	
5953.805.8	L. 600	1 (box)	C14 new
5953.905.8	L. 700	1 (box)	C14 new
5953.205.8	L. 800	1 (box)	C14 new
5953.305.8	L. 900	1 (box)	C14 new



COMPLETELY INVISIBLE



The grid has no edges to contain the tile and the traditional profile to delimit the water drainage slot has been replaced by a temporary template to be eliminated once the installation has been completed: in this way all the visible parts of the drain have been removed and the result is a shower channels model in which only the water flow slot remains visible.



Renova unseen / dry trap

5953

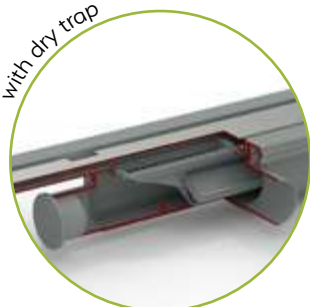
- tiling thickness no limits
- room under floor 60 mm
- ABS lateral outlet DN40/50
- dry trap

measure packaging category

5953.875.8	L. 600	1 (box)	C14	new
5953.975.8	L. 700	1 (box)	C14	new
5953.275.8	L. 800	1 (box)	C14	new
5953.375.8	L. 900	1 (box)	C14	new



with dry trap



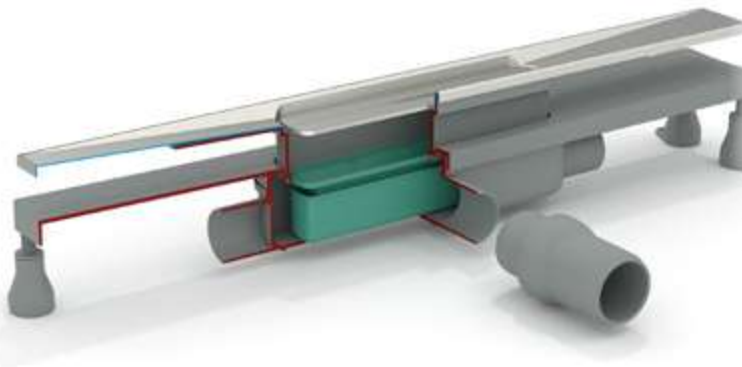
5963

Emyflow

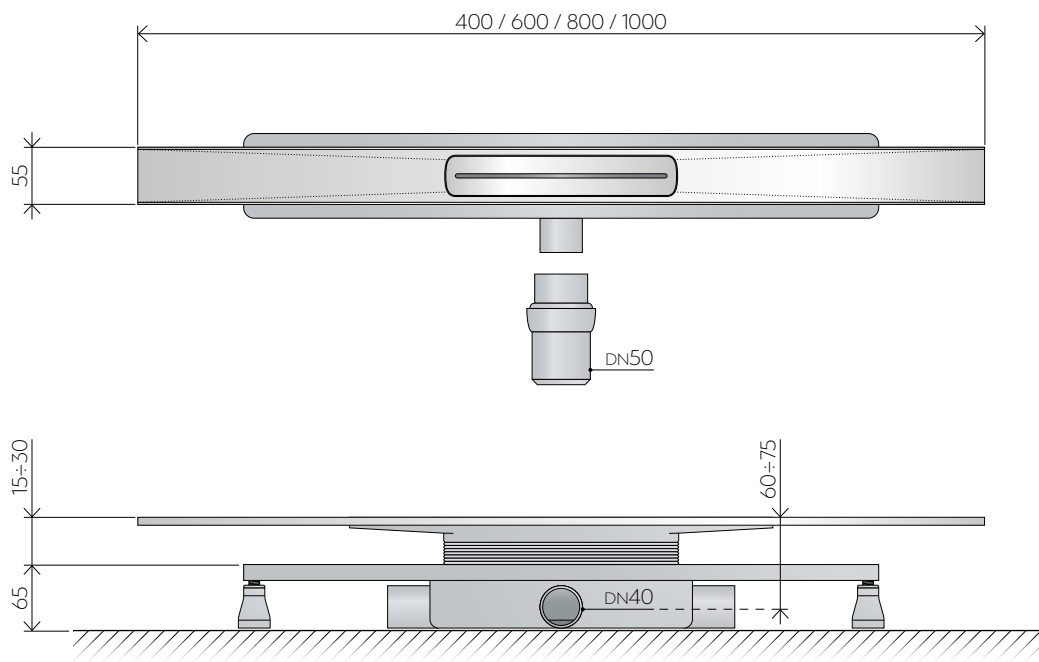
channel for built-in shower

easy to clean and maintain

- easy to clean and maintain as it consists of a single surface
- AISI 316 steel grid and exposed surface
- direct access to the extractable trap
- thin bed system perimetric waterproofing
- adjustable supports to ease the installation
- ABS trap with two additional DN40 ABS exits
- ABS DN50 jointed outlet
- tiling thickness 12÷22 mm
- room under floor H. 60 mm



35 mm 32 l/min 1 pcs.



Emyflow	5963	measure	packaging	category
---------	------	---------	-----------	----------



- tiling thickness 15÷30 mm
- room under floor 65 mm
- ABS lateral outlet DN40/50
- water trap

	LINE	5963.504.8	L. 400	1 (box)	C14	new
		5963.804.8	L. 600	1 (box)	C14	new
		5963.204.8	L. 800	1 (box)	C14	new
		5963.404.8	L. 1000	1 (box)	C14	new
	FRAME	5963.503.8	L. 400	1 (box)	C14	new
		5963.803.8	L. 600	1 (box)	C14	new
		5963.203.8	L. 800	1 (box)	C14	new
		5963.403.8	L. 1000	1 (box)	C14	new



EASY TO CLEAN



With only one visible, continuous and unobstructed surface, Emyflow is the shower channel particularly easy to clean and maintain as it offers also a large and direct access to the trap from the central removable grid.

PVD SELECTION / LINE model

length	gun metal	gold	copper
400	5963.504.8.N	5963.504.8.3	5963.504.8.Q
600	5963.804.8.N	5963.804.8.3	5963.804.8.Q
800	5963.204.8.N	5963.204.8.3	5963.204.8.Q
1.000	5963.404.8.N	5963.404.8.3	5963.404.8.Q



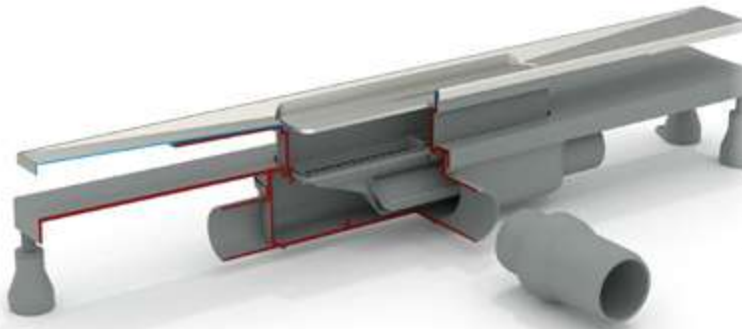
5963

Emyflow dry trap

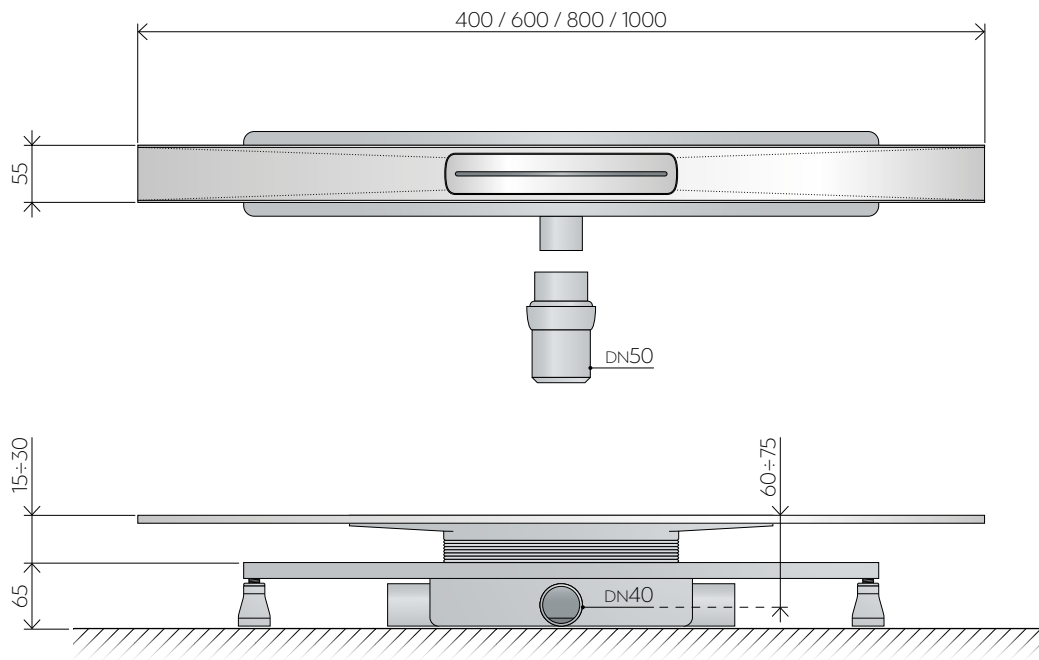
channel for built-in shower

easy to clean and maintain, with dry trap

- easy to clean and maintain as it consists of a single surface
- AISI 316 steel grid and exposed surface
- direct access to the extractable dry trap
- thin bed system perimetric waterproofing
- adjustable supports to ease the installation
- ABS trap with two additional DN40 ABS exits
- ABS DN50 jointed outlet
- tiling thickness 12÷22 mm
- room under floor H. 60 mm



32 l/min 1 pcs.



Emyflow dry trap	5963	measure	packaging	category
------------------	------	---------	-----------	----------



- tiling thickness 15÷30 mm
- room under floor 65 mm
- ABS lateral outlet DN40/50
- dry trap

	LINE	5963.574.8	L. 400	1 (box)	C14	new
		5963.874.8	L. 600	1 (box)	C14	new
		5963.274.8	L. 800	1 (box)	C14	new
		5963.474.8	L. 1000	1 (box)	C14	new
	FRAME	5963.573.8	L. 400	1 (box)	C14	new
		5963.873.8	L. 600	1 (box)	C14	new
		5963.273.8	L. 800	1 (box)	C14	new
		5963.473.8	L. 1000	1 (box)	C14	new



EASY TO CLEAN

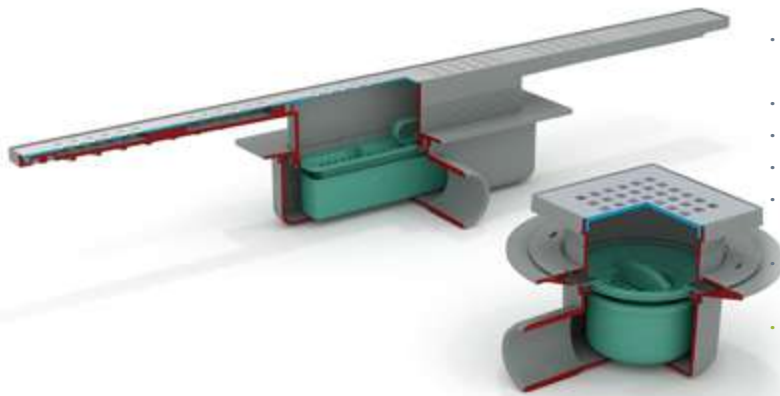


With only one visible, continuous and unobstructed surface, Emyflow is the shower channel particularly easy to clean and maintain as it offers also a large and direct access to the trap from the central removable grid.



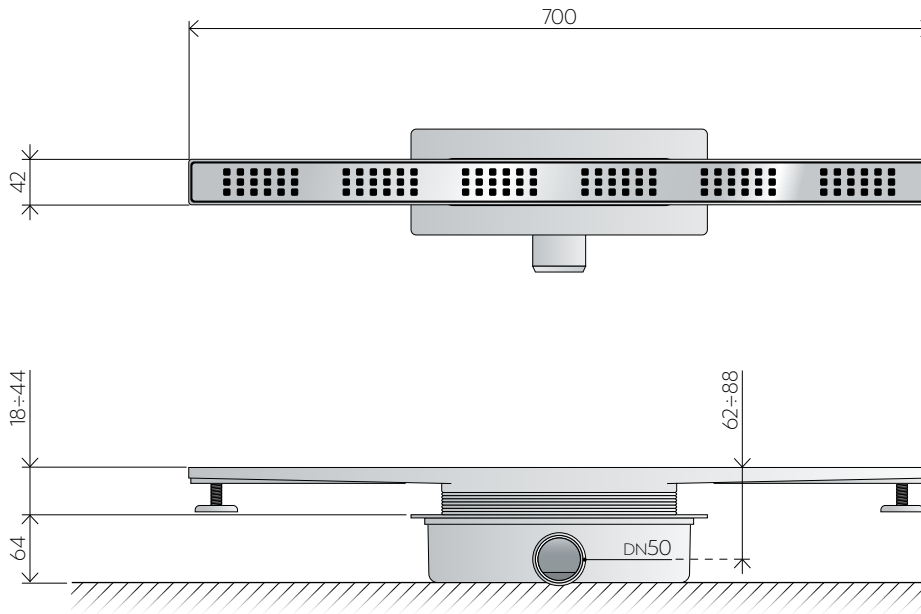
PVD SELECTION / LINE model

length	gun metal	gold	copper
400	5963.574.8.N	5963.574.8.3	5963.574.8.Q
600	5963.874.8.N	5963.874.8.3	5963.874.8.Q
800	5963.274.8.N	5963.274.8.3	5963.274.8.Q
1.000	5963.474.8.N	5963.474.8.3	5963.474.8.Q



single size, linear or square shaped



- AISI 316 stainless steel linear grid (art. 963.106.8) or squared in chrome plated metal (art. 971.101.8)
- thin bed system perimetric waterproofing
- removable trap for cleaning
- ABS lateral outlet DN50
- tiling thickness 18÷44 mm (linear model 963.106.8) or 12÷55 mm (squared model art. 971.101.8)
- room under floor H. 64 mm (linear model 963.106.8) or H. 72 mm (squared model art. 971.101.8)
- also available with grid covering plastic frame



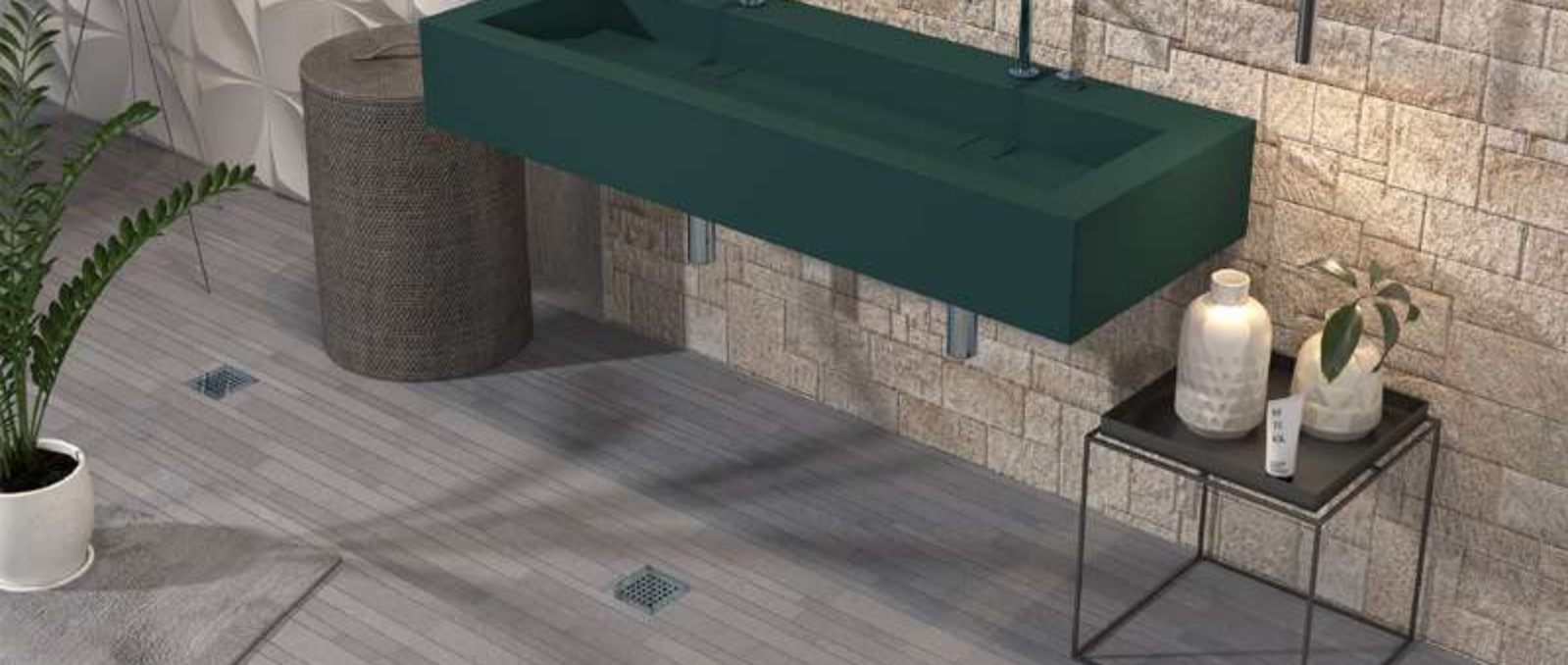
Miniflow 963 measure packaging category



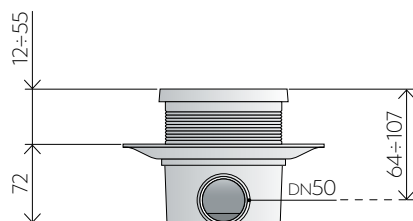
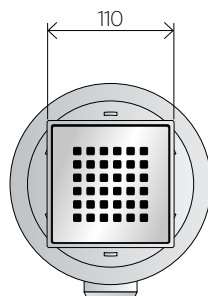
- tiling thickness 18÷44 mm
- room under floor 64 mm
- ABS lateral outlet DN50
- water trap

	SQUARES	963.106.8	L. 700	1 (box)	C14
	SQUARES C	963.106.8.C	L. 700	1 (box)	C14





 35 mm
  36 l/min
  1 pcs.



Miniflow Q

971

measure

packaging

category

- tiling thickness 12±55 mm
- room under floor 72 mm
- ABS lateral outlet DN50
- water trap



SQUARES

971.101.8

110×110

4 - B (box)

C14



O KEY

971.104.8.C

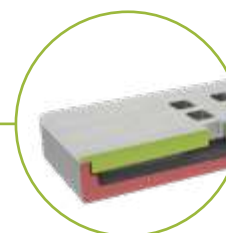
110×110

4 - B (box)

C14

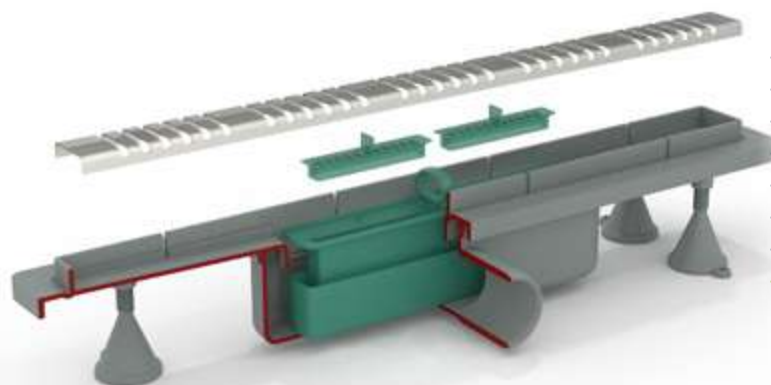


standard grid



grid covering plastic frame

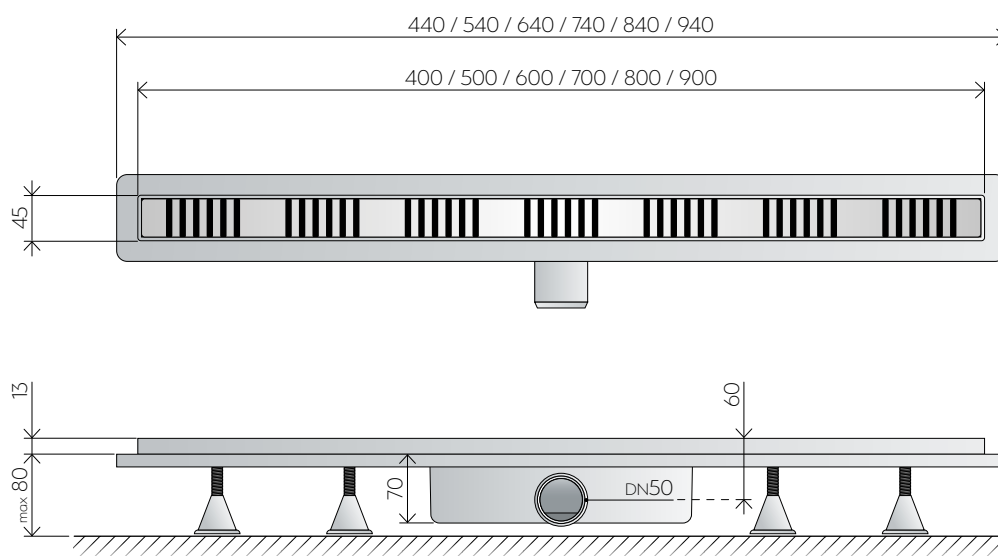


**entry-level with grated cover**

- AISI 316 stainless steel grid
- thin bed system perimetric waterproofing
- removable trap for cleaning
- dry-spot, drainage point for the water filtered through the flooring
- ABS lateral outlet DN50
- tiling thickness 13 mm (15 mm with covering grid)
- room under floor H. 70 mm
- also available with grid covering plastic frame



35 mm 39 l/min 1 pcs.



Basicflow std

943

measure

packaging

category

- tiling thickness 13 mm
- room under floor 70 mm
- ABS lateral outlet DN50
- water trap

943.506.8

L. 400

1 (box)

C14

943.706.8

L. 500

1 (box)

C14

943.806.8

L. 600

1 (box)

C14

943.906.8

L. 700

1 (box)

C14

943.206.8

L. 800

1 (box)

C14

943.306.8

L. 900

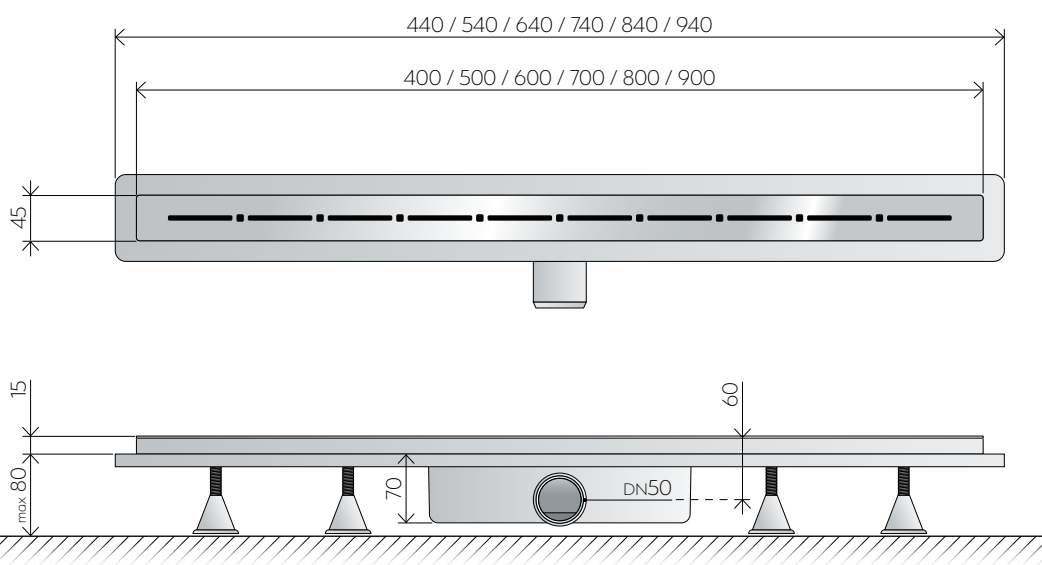
1 (box)

C14



NOTES / COMMON FEATURES

1. dry-spot: drainage point for the water filtered through the flooring
2. standard package complete with grid, siphoning and perimetric waterproofing
3. all grids/covers are made in stainless steel AISI 316
4. adjusting supports to ease the installation



Basicflow line

943

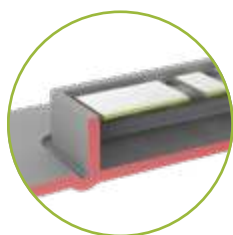
measure

packaging

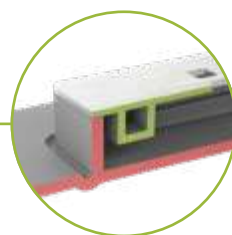
category

- tiling thickness 15 mm
- room under floor 70 mm
- ABS lateral outlet DN50
- water trap

943.504.8.C	L. 400	1 (box)	C14	✱
943.704.8.C	L. 500	1 (box)	C14	✱
943.804.8.C	L. 600	1 (box)	C14	✱
943.904.8.C	L. 700	1 (box)	C14	✱
943.204.8.C	L. 800	1 (box)	C14	✱
943.304.8.C	L. 900	1 (box)	C14	✱



standard grid

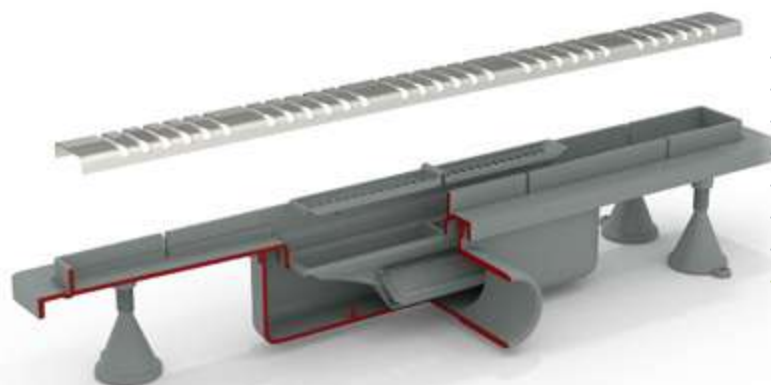


grid covering plastic frame



Basicflow dry trap

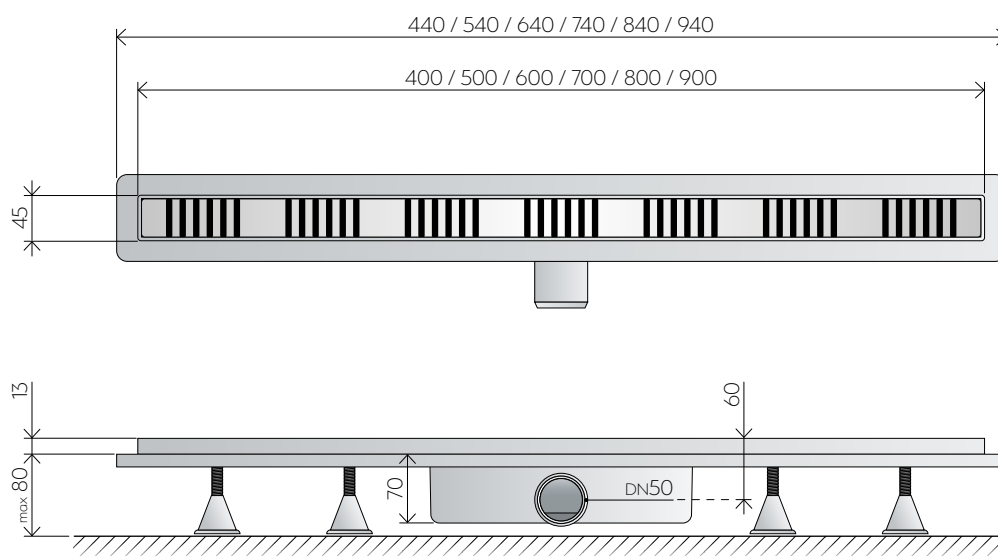
channel for built-in shower

**entry-level with grated cover and dry trap**

- AISI 316 stainless steel grid
- thin bed system perimetric waterproofing
- removable dry trap for cleaning
- dry-spot, drainage point for the water filtered through the flooring
- ABS lateral outlet DN50
- tiling thickness 13 mm (15 mm with covering grid)
- room under floor H. 70 mm
- also available with grid covering plastic frame



39 l/min 1 pcs.



Basicflow std / dry trap

943

measure

packaging

category

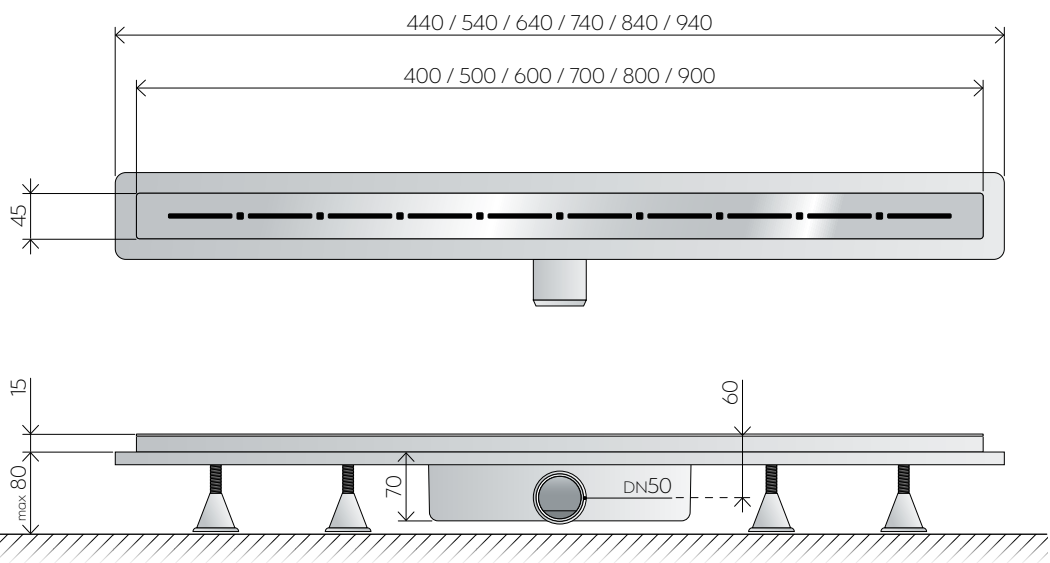


- tiling thickness 13 mm
- room under floor 70 mm
- ABS lateral outlet DN50
- dry trap

943.576.8	L. 400	1 (box)	C14	new
943.776.8	L. 500	1 (box)	C14	new
943.876.8	L. 600	1 (box)	C14	new
943.976.8	L. 700	1 (box)	C14	new
943.276.8	L. 800	1 (box)	C14	new
943.376.8	L. 900	1 (box)	C14	new

NOTES / COMMON FEATURES

1. dry-spot: drainage point for the water filtered through the flooring
2. standard package complete with grid, siphoning and perimetric waterproofing
3. all grids/covers are made in stainless steel AISI 316
4. adjusting supports to ease the installation



Basicflow line / dry trap

943

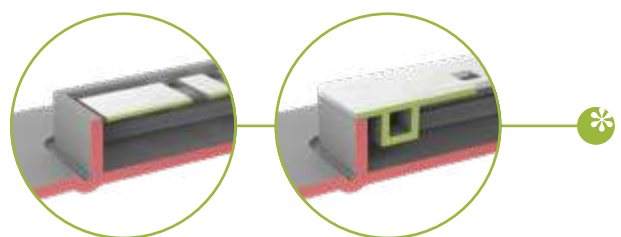
measure

packaging

category

- tiling thickness 15 mm
- room under floor 70 mm
- ABS lateral outlet DN50
- dry trap

943.574.8.C	L. 400	1 (box)	C14	new
943.774.8.C	L. 500	1 (box)	C14	new
943.874.8.C	L. 600	1 (box)	C14	new
943.974.8.C	L. 700	1 (box)	C14	new
943.274.8.C	L. 800	1 (box)	C14	new
943.374.8.C	L. 900	1 (box)	C14	new



standard grid

grid covering plastic frame



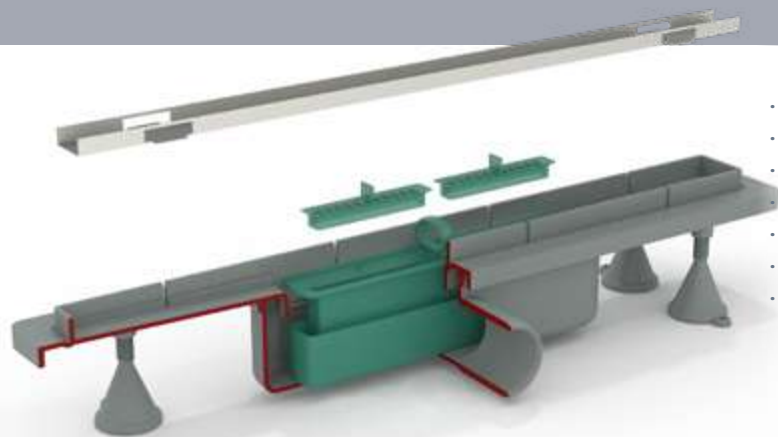
943

Basicflow tileable

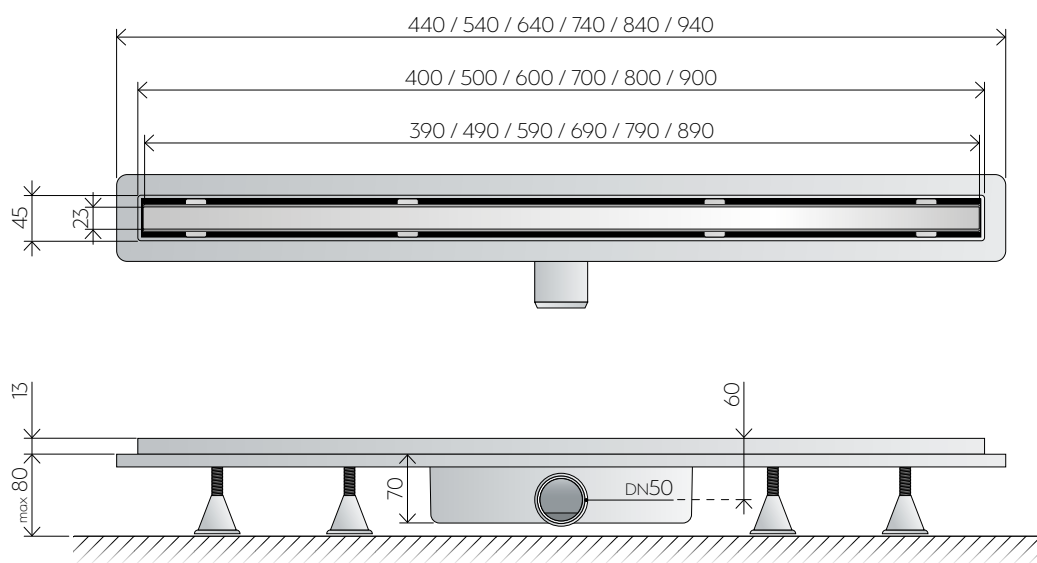
channel for built-in shower

entry-level with only tileable cover

- AISI 316 stainless steel only tileable grid
- thin bed system perimetric waterproofing
- removable trap for cleaning (available also with dry trap)
- dry-spot, drainage point for the water filtered through the flooring
- ABS lateral outlet DN50
- tiling thickness 13 mm
- room under floor H. 70 mm



35 mm 39 l/min 1 pcs.



Basicflow tileable

943

measure

packaging

category



- tiling thickness 13 mm
- room under floor 70 mm
- ABS lateral outlet DN50
- water trap

Product Code	Measure	Packaging	Category	Status
943.503.8	L. 400	1 (box)	C14	new
943.703.8	L. 500	1 (box)	C14	new
943.803.8	L. 600	1 (box)	C14	new
943.903.8	L. 700	1 (box)	C14	new
943.203.8	L. 800	1 (box)	C14	new
943.303.8	L. 900	1 (box)	C14	new



Basicflow tileable / dry trap

943

measure

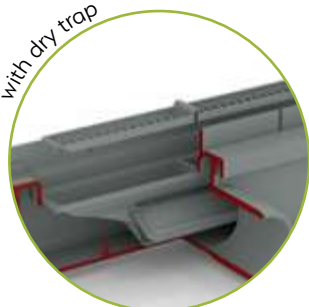
packaging

category

- tiling thickness 13 mm
- room under floor 70 mm
- ABS lateral outlet DN50
- dry trap

943.573.8	L. 400	1 (box)	C14	new
943.773.8	L. 500	1 (box)	C14	new
943.873.8	L. 600	1 (box)	C14	new
943.973.8	L. 700	1 (box)	C14	new
943.273.8	L. 800	1 (box)	C14	new
943.373.8	L. 900	1 (box)	C14	new

with dry trap



Tiling thickness inside cover 8 mm

NOTES / COMMON FEATURES



1. dry-spot: drainage point for the water filtered through the flooring
2. standard package complete with grid, siphoning and perimeter waterproofing
3. all grids/covers are made in stainless steel AISI 316
4. adjusting supports to ease the installation

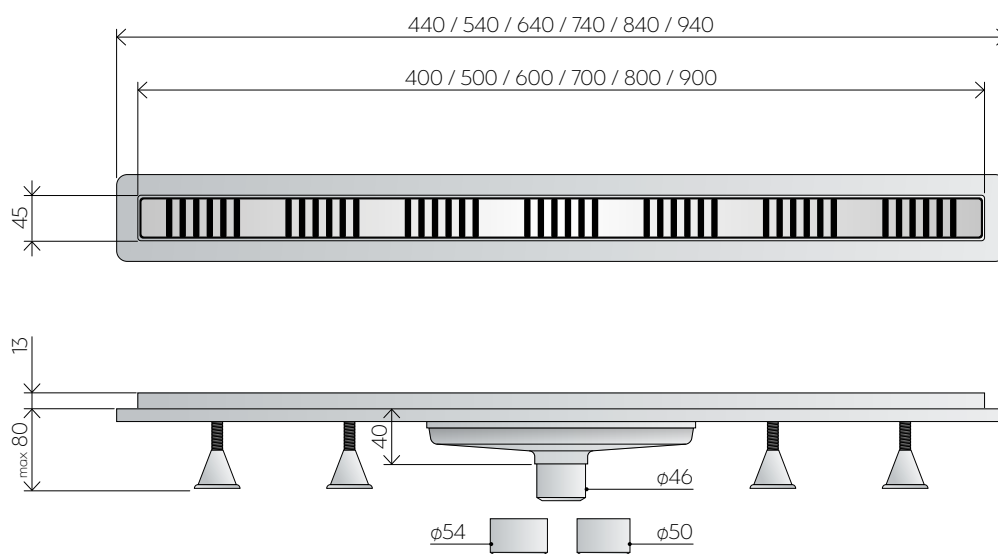


entry-level with vertical outlet

- AISI 316 stainless steel grid (available also tileable)
- thin bed system perimetric waterproofing
- removable s/steel catching-hair grid
- dry-spot, drainage point for the water filtered through the flooring
- ABS vertical outlet $\phi 46$ + adaptors $\phi 50/54$
- tiling thickness 13 mm
- room under floor H. 40 mm (supports excluded)



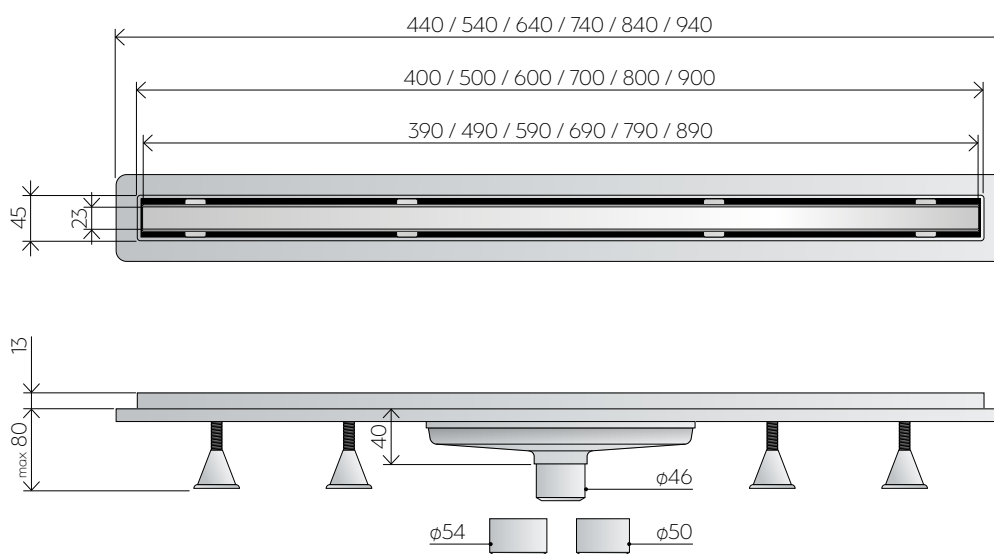
39 l/min 1 pcs.



Basicflow v.o. **942** measure packaging category

- tiling thickness 13 mm
- room under floor 40 mm
- ABS vertical outlet $\phi 46/50/54$
- no trap

942.506.8	L. 400	1 (box)	C14	new
942.706.8	L. 500	1 (box)	C14	new
942.806.8	L. 600	1 (box)	C14	new
942.906.8	L. 700	1 (box)	C14	new
942.206.8	L. 800	1 (box)	C14	new
942.306.8	L. 900	1 (box)	C14	new



Basicflow v.o. / tileable

942	measure	packaging	category
-----	---------	-----------	----------

- tiling thickness 13 mm
- room under floor 40 mm
- ABS vertical outlet $\phi 46/50/54$
- no trap

942.503.8	L. 400	1 (box)	C14	new
942.703.8	L. 500	1 (box)	C14	new
942.803.8	L. 600	1 (box)	C14	new
942.903.8	L. 700	1 (box)	C14	new
942.203.8	L. 800	1 (box)	C14	new
942.303.8	L. 900	1 (box)	C14	new

Tiling thickness inside cover 8 mm

- NOTES / COMMON FEATURES**
1. dry-spot: drainage point for the water filtered through the flooring
 2. standard package complete with grid, and perimetric waterproofing
 3. all grids/covers are made in stainless steel AISI 316
 4. adjusting supports to ease the installation

4943

Renova eko

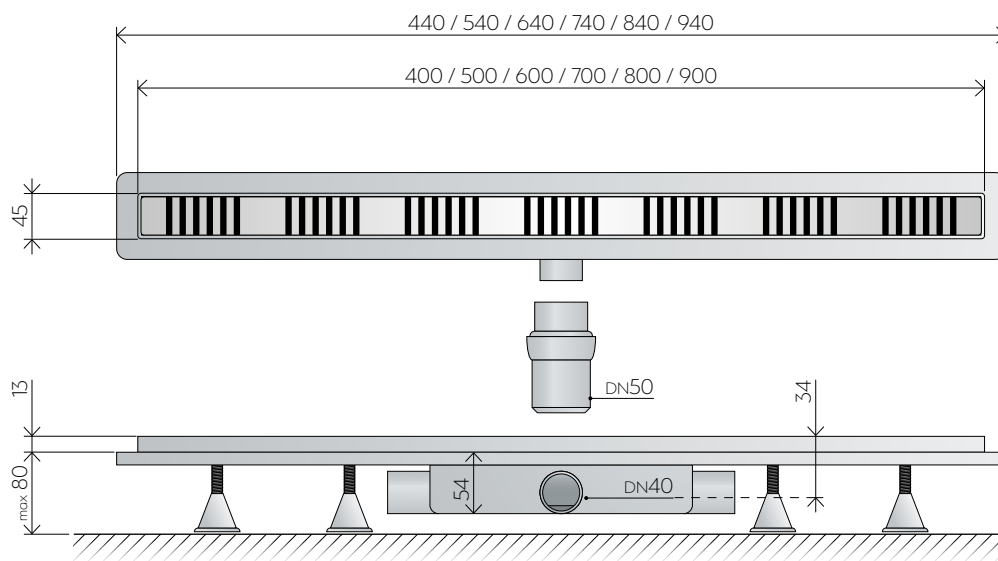
channel for built-in shower

minimum encumbrance entry-level

- AISI 316 stainless steel grid (available also tileable)
- thin bed system perimetric waterproofing
- removable trap for cleaning
- dry-spot, drainage point for the water filtered through the flooring
- ABS trap with two additional DN40 ABS exits
- ABS DN50 jointed outlet
- tiling thickness 13 mm
- room under floor H. 54 mm



35 mm 39 l/min 1 pcs.



Renova eko

4943

measure

packaging

category



- tiling thickness 13 mm
- room under floor 54 mm
- ABS lateral outlet DN40/50
- water trap

4943.506.8

L. 400

1 (box)

C14

new

4943.706.8

L. 500

1 (box)

C14

new

4943.806.8

L. 600

1 (box)

C14

new

4943.906.8

L. 700

1 (box)

C14

new

4943.206.8

L. 800

1 (box)

C14

new

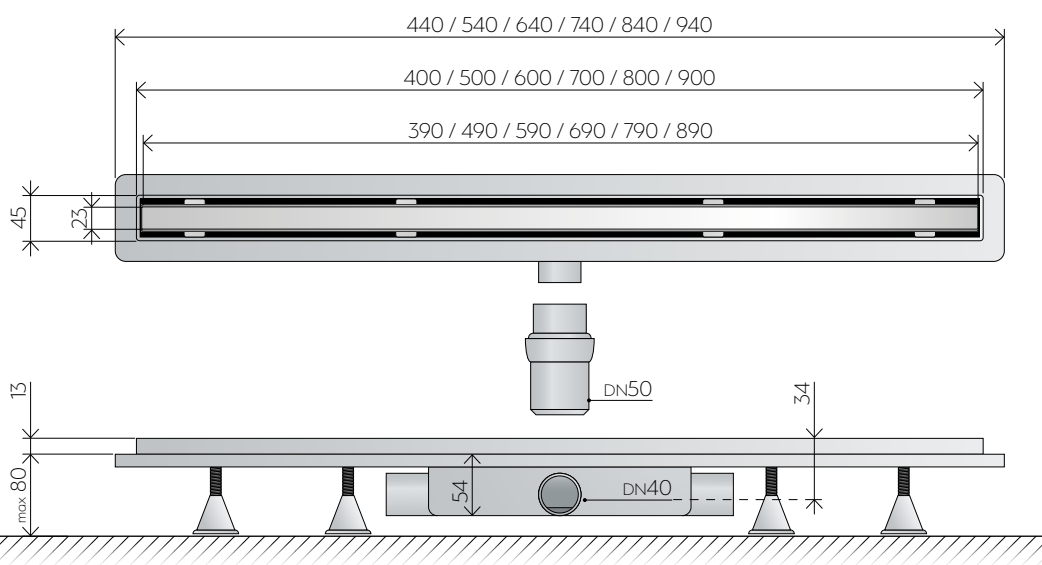
4943.306.8

L. 900

1 (box)

C14

new



Renova eko tileble

4943

measure

packaging

category

- tiling thickness 13 mm
- room under floor 54 mm
- ABS lateral outlet DN40/50
- water trap

4943.503.8	L. 400	1 (box)	C14
4943.703.8	L. 500	1 (box)	C14
4943.803.8	L. 600	1 (box)	C14
4943.903.8	L. 700	1 (box)	C14
4943.203.8	L. 800	1 (box)	C14
4943.303.8	L. 900	1 (box)	C14

new

new

new

new

new

new

Tiling thickness inside cover 8 mm

- NOTES / COMMON FEATURES**
1. dry-spot: drainage point for the water filtered through the flooring
 2. standard package complete with grid, siphoning and perimetric waterproofing
 3. all grids/covers are made in stainless steel AISI 316
 4. adjusting supports to ease the installation

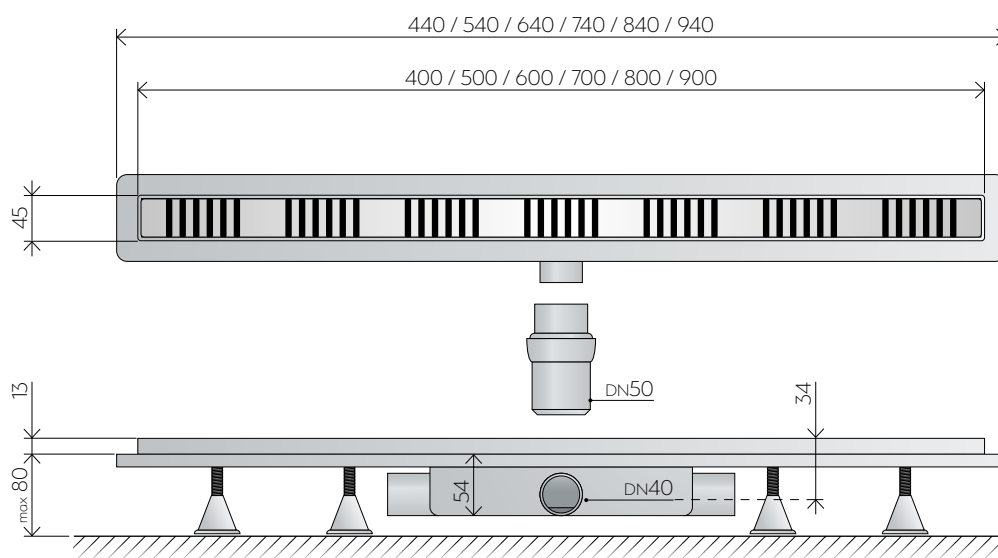
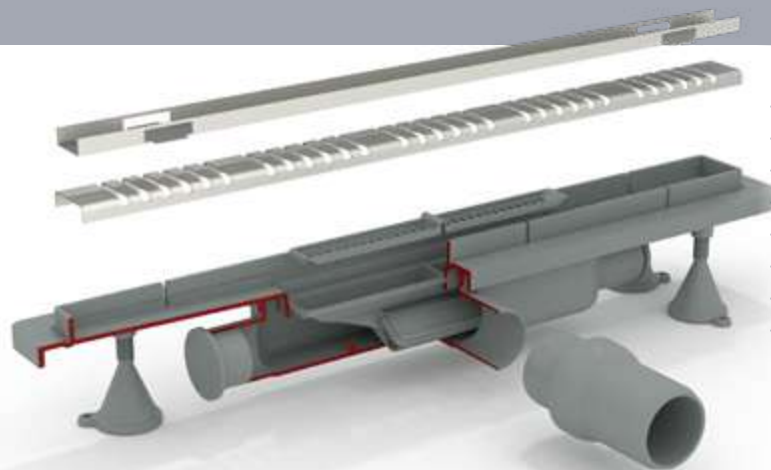
4943

Renova eko dry trap

channel for built-in shower

minimum encumbrance entry-level, with dry trap

- AISI 316 stainless steel grid (available also tileable)
- thin bed system perimetric waterproofing
- removable dry trap for cleaning
- dry-spot, drainage point for the water filtered through the flooring
- ABS trap with two additional DN40 ABS exits
- ABS DN50 jointed outlet
- tiling thickness 13 mm
- room under floor H. 54 mm



Renova eko / dry trap

4943

measure

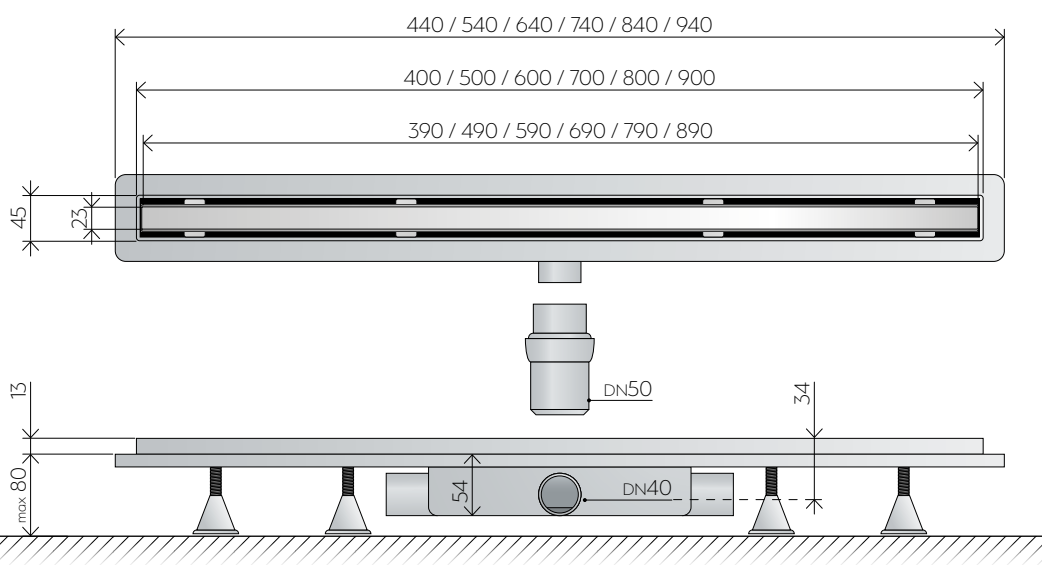
packaging

category



- tiling thickness 13 mm
- room under floor 54 mm
- ABS lateral outlet DN40/50
- dry trap

4943.576.8	L. 400	1 (box)	C14	new
4943.776.8	L. 500	1 (box)	C14	new
4943.876.8	L. 600	1 (box)	C14	new
4943.976.8	L. 700	1 (box)	C14	new
4943.276.8	L. 800	1 (box)	C14	new
4943.376.8	L. 900	1 (box)	C14	new



Renova eko tileble / dry trap

4943

measure

packaging

category

- tiling thickness 13 mm
- room under floor 54 mm
- ABS lateral outlet DN40/50
- dry trap

code	measure	packaging	category
4943.573.8	L. 400	1 (box)	C14
4943.773.8	L. 500	1 (box)	C14
4943.873.8	L. 600	1 (box)	C14
4943.973.8	L. 700	1 (box)	C14
4943.273.8	L. 800	1 (box)	C14
4943.373.8	L. 900	1 (box)	C14

new

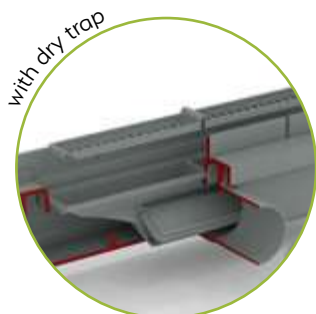
new

new

new

new

new



Tiling thickness inside cover 8 mm

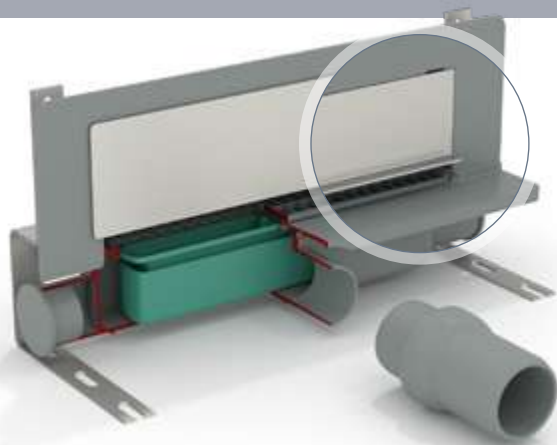
NOTES / COMMON FEATURES



1. dry-spot: drainage point for the water filtered through the flooring
2. standard package complete with grid, siphoning and perimetric waterproofing
3. all grids/covers are made in stainless steel AISI 316
4. adjusting supports to ease the installation

Intramura

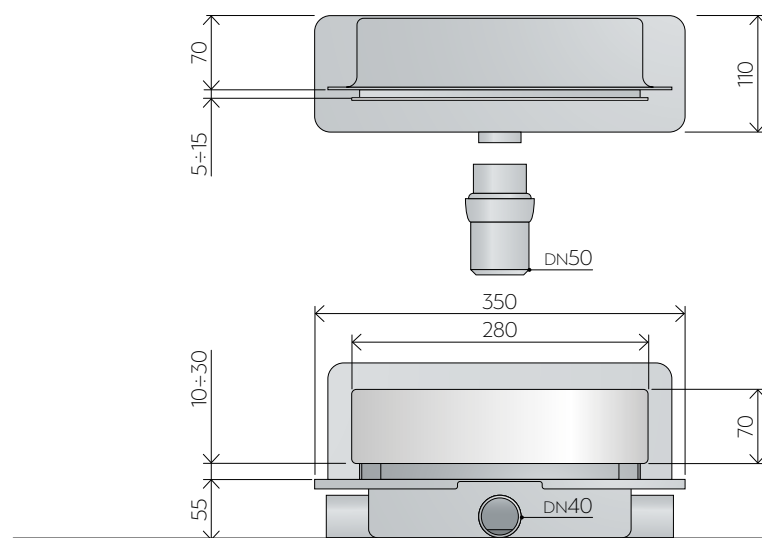
set for built-in shower

**for wall drain**

- AISI 316 stainless steel cover adjustable for tiles thickness 5÷30 mm
- also available with only tileable version
- thin bed system perimetric waterproofing
- removable trap for cleaning
- adjustable supports to ease the installation
- dry-spot, drainage point for the water filtered through the flooring
- ABS trap with two additional DN40 ABS exits
- ABS DN50 jointed outlet
- tiling thickness 10÷30 mm
- room under floor H. 55 mm



35 mm 27 l/min 1 pcs.



Intramura	975	measure	packaging	category
-----------	-----	---------	-----------	----------

- tiling thickness 10÷30 mm
- room under floor 55 mm
- ABS lateral outlet DN40/50
- water trap

std	975.101.8	L. 300	1 (box)	C14	new
-----	-----------	--------	---------	-----	-----

tileable	975.102.8	L. 300	1 (box)	C14	new
----------	-----------	--------	---------	-----	-----



2465 Odessa

new

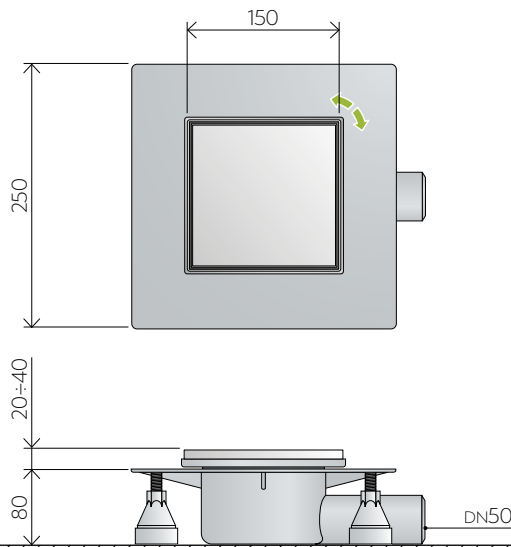
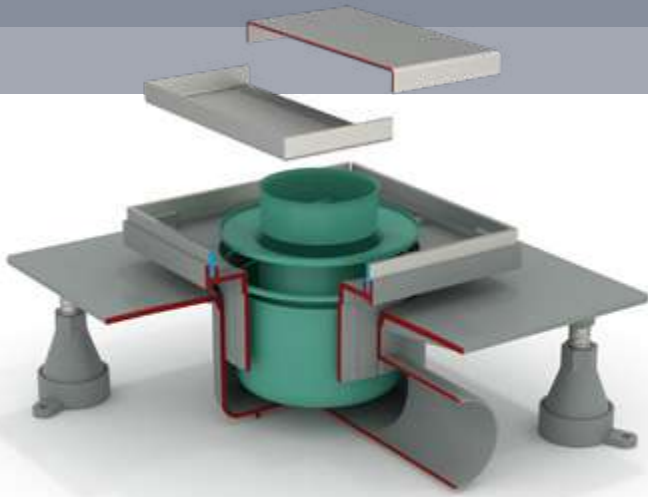
trapped floor drain for built-in shower

with water seal level conform

- water seal conform, 50 mm
- s/steel AISI316 cover and frame adjustable in height
- tillable cover 130×130 mm and orientable frame 150×150 mm
- thin bed system perimetric waterproofing
- removable trap for cleaning
- dry-spot, drainage point for the water filtered through the flooring
- ABS lateral outlet DN50
- tiling thickness 20÷40 mm
- room under floor H. 80 mm



50 mm 29 l/min 10 pcs.



Odessa

2465

measure

packaging

category

- tiling thickness 20÷40 mm
- room under floor 80 mm
- ABS lateral outlet DN50
- water trap

2465.602.8

150×150

4 - B (box)

C13

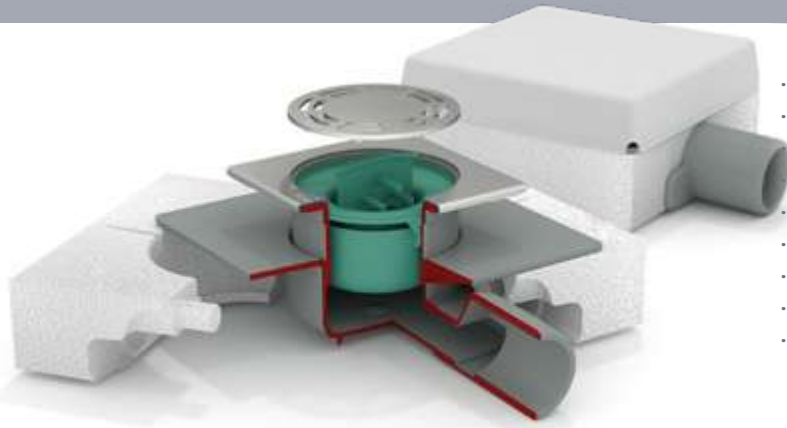
new



2755




Tirana evo

trapped floor drain for built-in shower



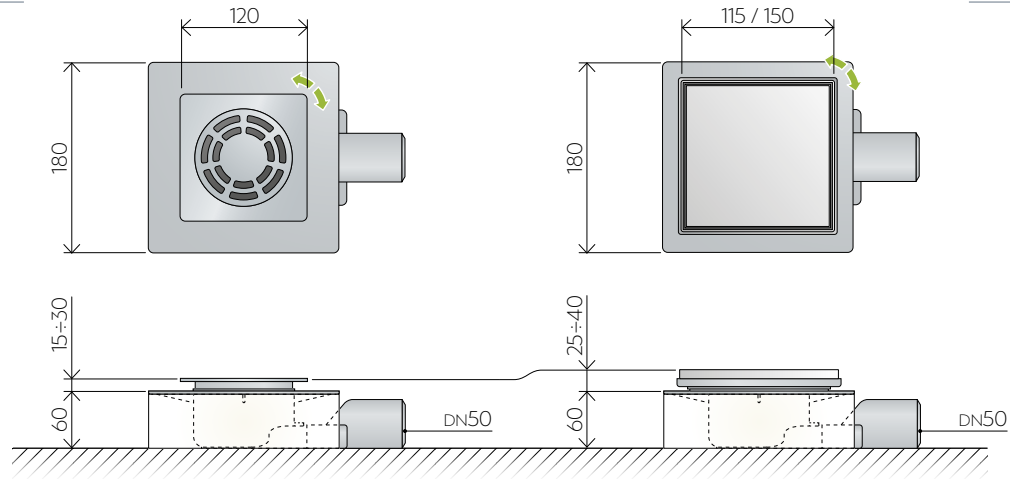
with reduced room under floor

- s/steel AISI316 grid and frame adjustable in height
- thin bed system perimetric waterproofing
- removable trap for cleaning (available also with dry trap)
- EPS base for the trap housing and the soundproofing
- protection lid for construction site
- dry-spot, drainage point for the water filtered through the flooring
- ABS lateral outlet DN50
- tiling thickness 15÷30 mm (grated) or 25÷40 mm (tileable)
- room under floor H. 60 mm




 30 mm 27 l/min 10 pcs.
 grated




 30 mm 31 l/min 10 pcs.
 tileable



Tirana evo	2755	measure	packaging	category
		- tiling thickness 15÷30 mm		
		- room under floor 60 mm		
		- ABS lateral outlet DN50		
		- water trap		
standard	2755.401.8	120×120	10 - C (box)	C13
design	2755.405.8	120×120	10 - C (box)	C13
square	2755.406.8	120×120	10 - C (box)	C13

	2755	measure	packaging	category
		- tiling thickness 25÷40 mm		
		- room under floor 60 mm		
		- ABS lateral outlet DN50		
		- water trap		
tileable	2755.402.8	115×115	10 - C (box)	C13
	2755.602.8	150×150	10 - C (box)	C13



Tirana evo / dry trap



2755

measure

packaging

category

- tiling thickness 15÷30 mm
- room under floor 60 mm
- ABS lateral outlet DN50
- dry trap

standard

2755.501.8

120×120

10 - C (box)

C13

design

2755.505.8

120×120

10 - C (box)

C13

square

2755.506.8

120×120

10 - C (box)

C13

2755

measure

packaging

category

- tiling thickness 25÷40 mm
- room under floor 60 mm
- ABS lateral outlet DN50
- dry trap

2755.502.8

115×115

10 - C (box)

C13

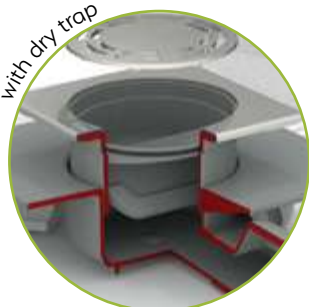
2755.702.8

150×150

10 - C (box)

C13

with dry trap



575

No limits ✓

floor drain

for concealed bathtub

- reinforced Clicker device to work with water column of max 450 mm
- the installation of overflow is easy and functional due to the possibility to cut the exceeding plastic protrusion, without compromising the final aesthetics
- AISI 316 stainless steel grid 100×100 mm
- perimetric waterproofing sheet delivered in PVC and in tech fabric for thin bed sealing system
- flexible overflow connection L. 1300 mm
- removable trap for cleaning
- ABS lateral outlet DN50
- tiling thickness 40÷90 mm
- room under floor H. 110 mm



50 mm 54 l/min 1 pcs.



No limits ✓

575

measure

packaging

category



- tiling thickness 40÷90 mm
- room under floor 110 mm
- ABS lateral outlet DN50
- water trap

without overflow

575.511.8

100×100

1 (box)

C14

with overflow

575.611.8

100×100

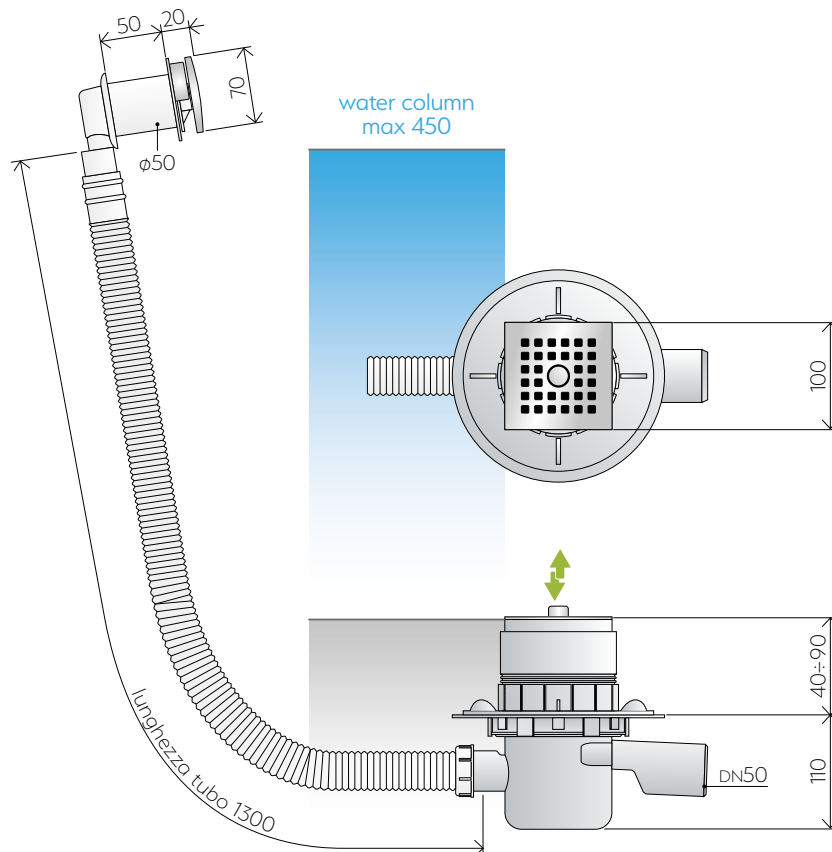
1 (box)

C14

NOTES / WATERPROOFING



The standard package provides both the usual PVC sheet and technical fabric for the thin bed waterproofing Deflow Tech 500 × 500 mm both



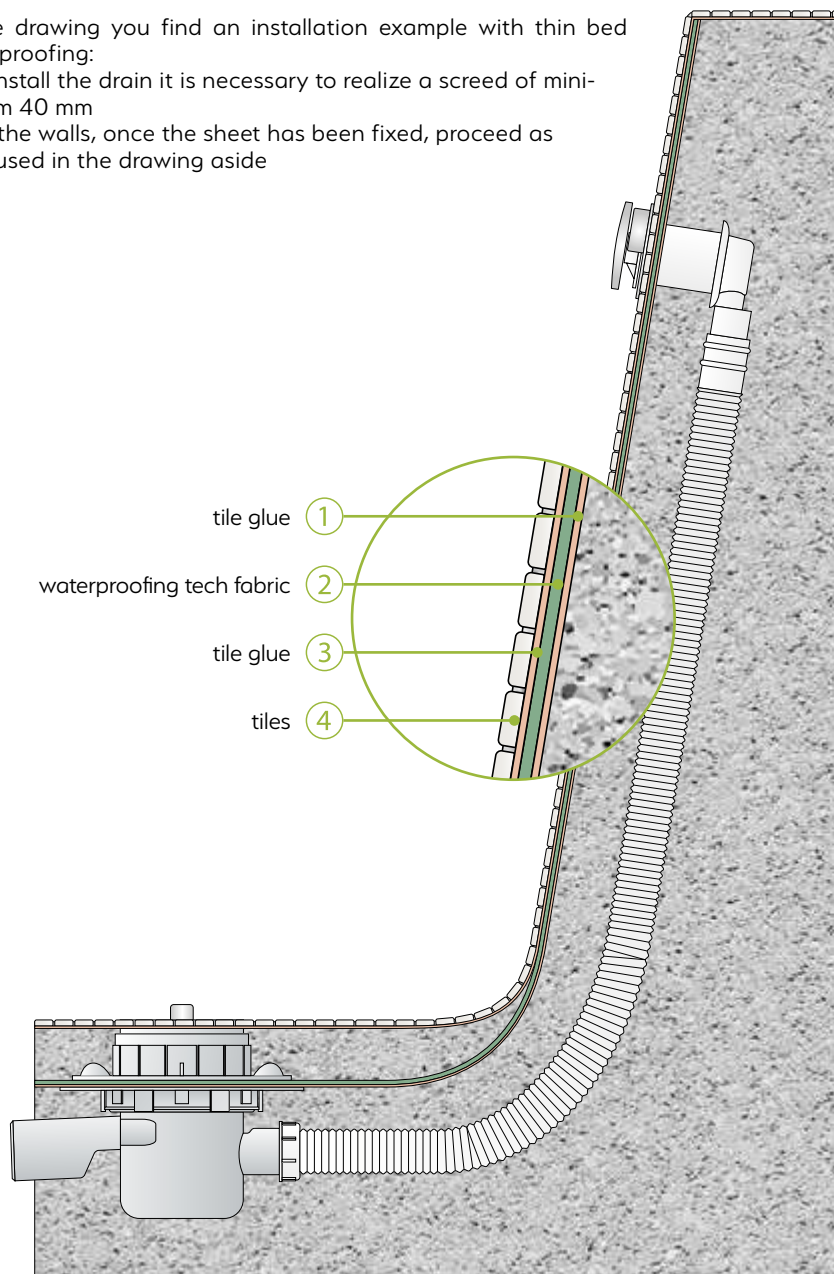


*** NOTES**

The standard package provides both the usual PVC sheet and technical fabric for the thin bed waterproofing Deflow Tech 500 × 500 mm both. This way you can choose which waterproofing system is to be installed being aware that the vertical walls cannot be waterproofed with the PVC sheet.

In the drawing you find an installation example with thin bed waterproofing:

- to install the drain it is necessary to realize a screed of minimum 40 mm
- for the walls, once the sheet has been fixed, proceed as focused in the drawing aside



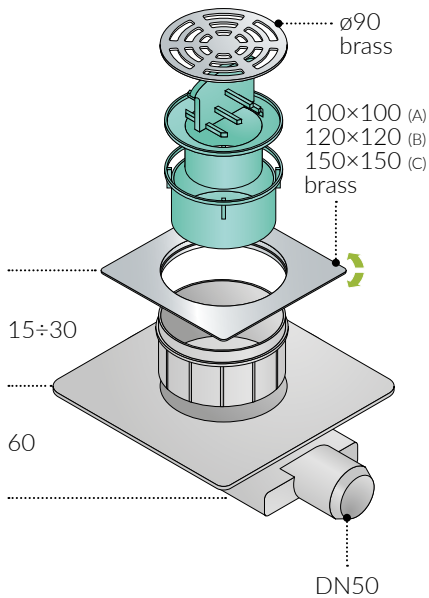
2665 + 2662

Tirana

ABS trapped floor drain, with c.p. brass grid



- grid and orientable frame in c.p. brass, adjustable in height 15÷30 mm
- anti-infiltrations flange useful for thin bed waterproofing
- without waterproofing sheet
- removable trap for cleaning
- dry-spot, drainage point for the water filtered through the flooring
- tiling thickness 15÷30 mm
- room under floor H. 60 mm



a. 2665.291.8

- grid Standard c.p. brass
- frame ø100 c.p. brass
- outlet DN50 lateral ABS
- with water trap (removable)
- without waterproofing sheet

size $\varnothing 100 \times \varnothing 50$ packaging 10 - C (box) category C13

30 mm 27 l/min 10 pcs.



b. 2665.491.8

- grid Standard c.p. brass
- frame ø120 c.p. brass
- outlet DN50 lateral ABS
- with water trap (removable)
- without waterproofing sheet

size $\varnothing 120 \times \varnothing 50$ packaging 10 - C (box) category C13

30 mm 27 l/min 10 pcs.

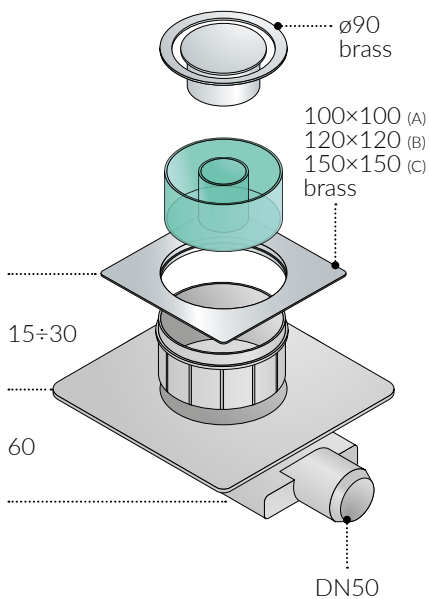


c. 2665.691.8

- grid Standard c.p. brass
- frame ø150 c.p. brass
- outlet DN50 lateral ABS
- with water trap (removable)
- without waterproofing sheet

size $\varnothing 150 \times \varnothing 50$ packaging 10 - C (box) category C13

30 mm 27 l/min 10 pcs.



a. 2665.295.8

- grid Design c.p. brass
- frame ø100 c.p. brass
- outlet DN50 lateral ABS
- with water trap (removable)
- without waterproofing sheet

size $\varnothing 100 \times \varnothing 50$ packaging 10 - C (box) category C13

30 mm 24 l/min 10 pcs.



b. 2665.495.8

- grid Design c.p. brass
- frame ø120 c.p. brass
- outlet DN50 lateral ABS
- with water trap (removable)
- without waterproofing sheet

size $\varnothing 120 \times \varnothing 50$ packaging 10 - C (box) category C13

30 mm 24 l/min 10 pcs.



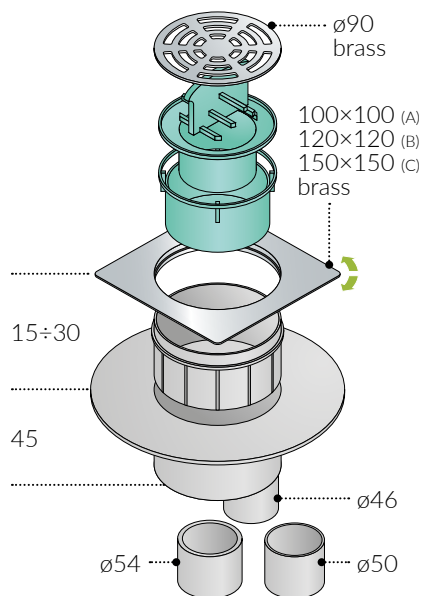
c. 2665.695.8

- grid Design c.p. brass
- frame ø150 c.p. brass
- outlet DN50 lateral ABS
- with water trap (removable)
- without waterproofing sheet

size $\varnothing 150 \times \varnothing 50$ packaging 10 - C (box) category C13

30 mm 24 l/min 10 pcs.

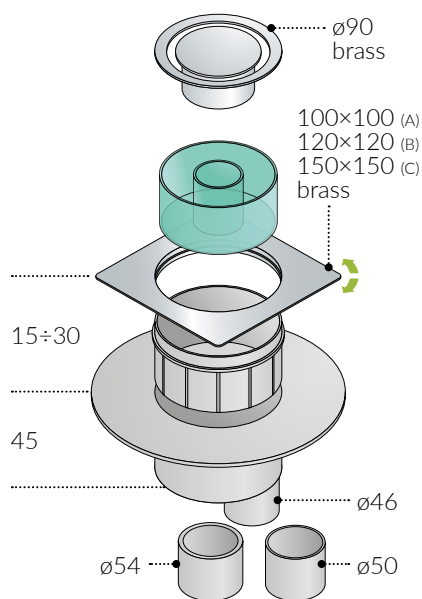




a. 2662.291.8	size	packaging	category
<ul style="list-style-type: none"> - grid Standard c.p. brass - frame $\varnothing 100$ c.p. brass - outlet $\varnothing 46$ vertical ABS adaptor $\varnothing 50/54$ ABS - with water trap (removable) - without waterproofing sheet 	$\varnothing 100 \times \varnothing 50$	10 - C (box)	C13
		30 mm 20 l/min 10 pcs.	

b. 2662.491.8	size	packaging	category
<ul style="list-style-type: none"> - grid Standard c.p. brass - frame $\varnothing 120$ c.p. brass - outlet $\varnothing 46$ vertical ABS adaptor $\varnothing 50/54$ ABS - with water trap (removable) - without waterproofing sheet 	$\varnothing 120 \times \varnothing 50$	10 - C (box)	C13
		30 mm 20 l/min 10 pcs.	

c. 2662.691.8	size	packaging	category
<ul style="list-style-type: none"> - grid Standard c.p. brass - frame $\varnothing 150$ c.p. brass - outlet $\varnothing 46$ vertical ABS adaptor $\varnothing 50/54$ ABS - with water trap (removable) - without waterproofing sheet 	$\varnothing 150 \times \varnothing 50$	10 - C (box)	C13
		30 mm 20 l/min 10 pcs.	



a. 2662.295.8	size	packaging	category
<ul style="list-style-type: none"> - grid Design c.p. brass - frame $\varnothing 100$ c.p. brass - outlet $\varnothing 46$ vertical ABS adaptor $\varnothing 50/54$ ABS - with water trap (removable) - without waterproofing sheet 	$\varnothing 100 \times \varnothing 50$	10 - C (box)	C13
		30 mm 24 l/min 10 pcs.	

b. 2662.495.8	size	packaging	category
<ul style="list-style-type: none"> - grid Design c.p. brass - frame $\varnothing 120$ c.p. brass - outlet $\varnothing 46$ vertical ABS adaptor $\varnothing 50/54$ ABS - with water trap (removable) - without waterproofing sheet 	$\varnothing 120 \times \varnothing 50$	10 - C (box)	C13
		30 mm 24 l/min 10 pcs.	

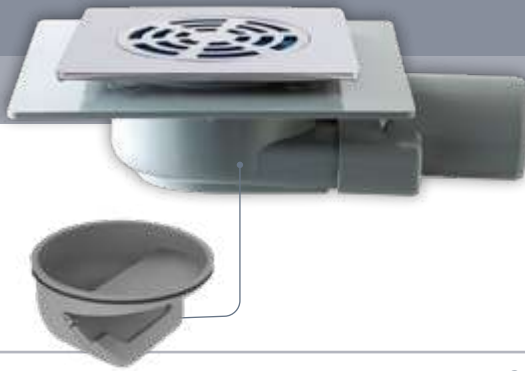
c. 2662.695.8	size	packaging	category
<ul style="list-style-type: none"> - grid Design c.p. brass - frame $\varnothing 150$ c.p. brass - outlet $\varnothing 46$ vertical ABS adaptor $\varnothing 50/54$ ABS - with water trap (removable) - without waterproofing sheet 	$\varnothing 150 \times \varnothing 50$	10 - C (box)	C13
		30 mm 24 l/min 10 pcs.	



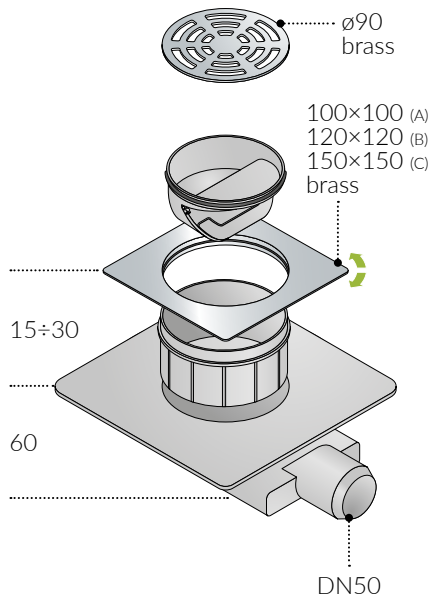
2665 + 2662

Tirana dry trap

ABS trapped floor drain, with c.p. brass grid and dry trap



- grid and orientable frame in c.p. brass, adjustable in height 15÷30 mm
- anti-infiltrations flange useful for thin bed waterproofing
- without waterproofing sheet
- removable dry trap for cleaning
- dry-spot, drainage point for the water filtered through the flooring
- tiling thickness 15÷30 mm
- room under floor H. 60 mm



a. 2665.391.8

- grid Standard c.p. brass
- frame ø100 c.p. brass
- outlet DN50 lateral ABS
- with dry trap (removable)
- without waterproofing sheet

size
ø100 × ø50

packaging
27 l/min 10 pcs.

packaging
10 - C (box)

category
C13



b. 2665.591.8

- grid Standard c.p. brass
- frame ø120 c.p. brass
- outlet DN50 lateral ABS
- with dry trap (removable)
- without waterproofing sheet

size
ø120 × ø50

packaging
27 l/min 10 pcs.

packaging
10 - C (box)

category
C13



c. 2665.791.8

- grid Standard c.p. brass
- frame ø150 c.p. brass
- outlet DN50 lateral ABS
- with dry trap (removable)
- without waterproofing sheet

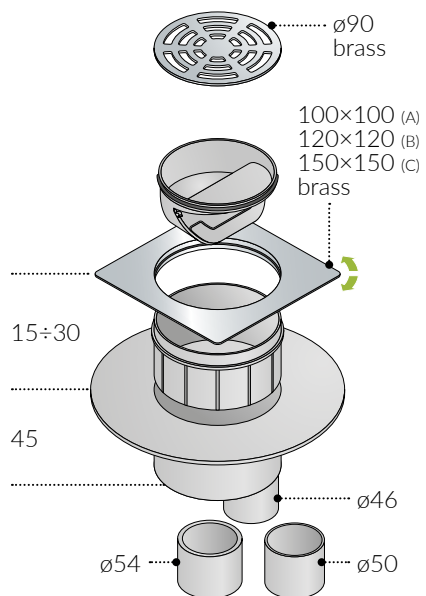
size
ø150 × ø50

packaging
27 l/min 10 pcs.

packaging
10 - C (box)

category
C13





a. 2662.391.8 size packaging category

- grid Standard c.p. brass
- frame ø100 c.p. brass
- outlet ø46 vertical ABS
- adaptor ø50/54 ABS
- with dry trap (removable)
- without waterproofing sheet

20 l/min 10 pcs.



10 - C (box)

C13



b. 2662.591.8 size packaging category

- grid Standard c.p. brass
- frame ø120 c.p. brass
- outlet ø46 vertical ABS
- adaptor ø50/54 ABS
- with dry trap (removable)
- without waterproofing sheet

20 l/min 10 pcs.



10 - C (box)

C13



c. 2662.791.8 size packaging category

- grid Standard c.p. brass
- frame ø150 c.p. brass
- outlet ø46 vertical ABS
- adaptor ø50/54 ABS
- with dry trap (removable)
- without waterproofing sheet

20 l/min 10 pcs.

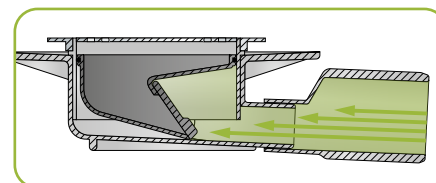
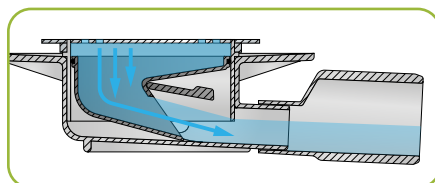


10 - C (box)

C13



NOTES



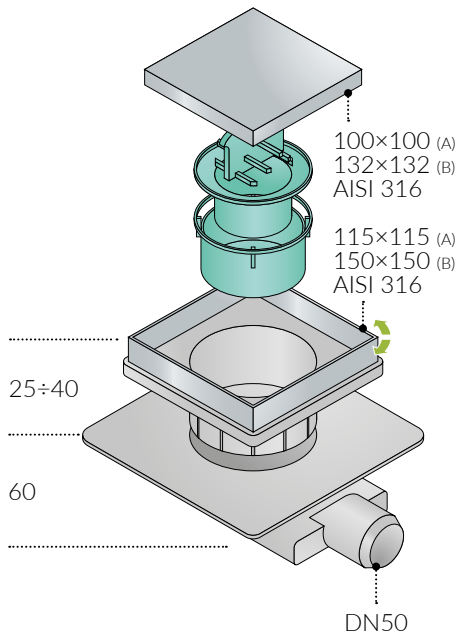
2665 + 2662





Tirana tileable + tileable/dry-trap






ABS trapped floor drain, with s/steel AISI 316 tileable cover

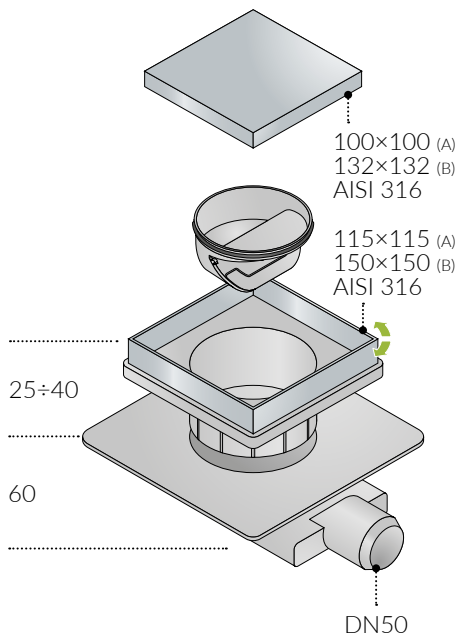



- tileable cover and orientable frame in s/steel AISI 316, adjustable in height 25÷40 mm
- anti-infiltrations flange useful for thin bed waterproofing
- without waterproofing sheet
- removable trap for cleaning (available also with dry trap)
- dry-spot, drainage point for the water filtered through the flooring
- tiling thickness 25÷40 mm
- room under floor H. 60 mm



a. 2665.492.8	size	packaging	category
- cover $\varnothing 100$ AISI 316 reversible tileable	$\varnothing 115 \times \varnothing 50$	10 - C (box)	C13
- frame $\varnothing 115$ AISI 316	  		
- outlet DN50 lateral ABS			
- with water trap (removable)			
- without waterproofing sheet			

b. 2665.692.8	size	packaging	category
- cover $\varnothing 132$ AISI 316 reversible tileable	$\varnothing 150 \times \varnothing 50$	10 - C (box)	C13
- frame $\varnothing 150$ AISI 316	   		
- outlet DN50 lateral ABS			
- with water trap (removable)			
- without waterproofing sheet			



a. 2665.592.8	size	packaging	category
- cover $\varnothing 100$ AISI 316 reversible tileable	$\varnothing 115 \times \varnothing 50$	10 - C (box)	C13
- frame $\varnothing 115$ AISI 316	  		
- outlet DN50 lateral ABS			
- with dry trap (removable)			
- without waterproofing sheet			

b. 2665.792.8	size	packaging	category
- cover $\varnothing 132$ AISI 316 reversible tileable	$\varnothing 150 \times \varnothing 50$	10 - C (box)	C13
- frame $\varnothing 150$ AISI 316	  		
- outlet DN50 lateral ABS			
- with dry trap (removable)			
- without waterproofing sheet			



a. 2662.492.8 size packaging category

- cover $\varnothing 100$ AISI 316 reversible tileable
- frame $\varnothing 115$ AISI 316
- outlet $\varnothing 46$ vertical ABS adaptor $\varnothing 50/54$ ABS
- with water trap (removable)
- without waterproofing sheet

$\varnothing 115 \times \varnothing 50$ 10 - C (box)



b. 2662.692.8 size packaging category

- cover $\varnothing 132$ AISI 316 reversible tileable
- frame $\varnothing 150$ AISI 316
- outlet $\varnothing 46$ vertical ABS adaptor $\varnothing 50/54$ ABS
- with water trap (removable)
- without waterproofing sheet

$\varnothing 150 \times \varnothing 50$ 10 - C (box)



a. 2662.592.8 size packaging category

- cover $\varnothing 100$ AISI 316 reversible tileable
- frame $\varnothing 115$ AISI 316
- outlet $\varnothing 46$ vertical ABS adaptor $\varnothing 50/54$ ABS
- with dry trap (removable)
- without waterproofing sheet

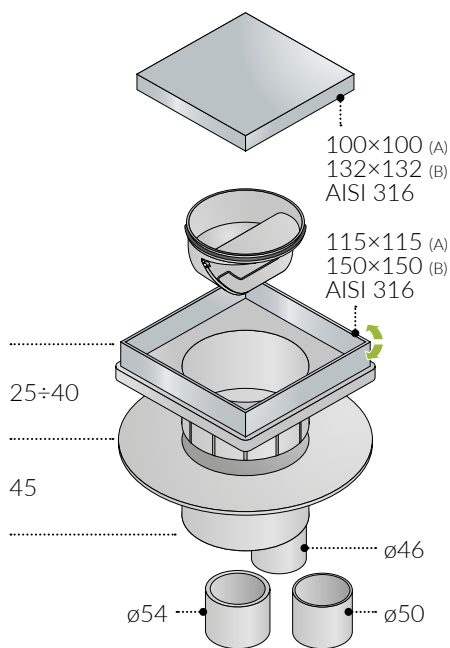
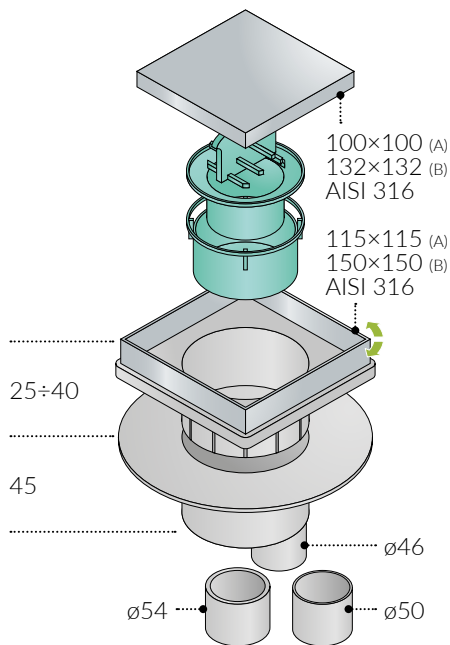
$\varnothing 115 \times \varnothing 50$ 10 - C (box)



b. 2662.792.8 size packaging category

- cover $\varnothing 132$ AISI 316 reversible tileable
- frame $\varnothing 150$ AISI 316
- outlet $\varnothing 46$ vertical ABS adaptor $\varnothing 50/54$ ABS
- with dry trap (removable)
- without waterproofing sheet

$\varnothing 150 \times \varnothing 50$ 10 - C (box)





- AISI316 stainless steel support for central tile
- anti-infiltrations flange useful for thin bed waterproofing
- without waterproofing sheet
- removable trap for cleaning (available also with dry trap)
- room under floor H. 60 mm

* NOTES

The grid has no edges to contain the tile and the traditional profile to delimit the water drainage slot has been replaced by a temporary template to be eliminated once the installation has been completed: in this way all the visible parts of the drain have been removed and the result is a shower channels model in which only the water flow slot remains visible.

omptea.eu



a. 2665.698.8

size

packaging

category

- support for central tile $\varnothing 135$ s/steel AISI 316
- tiles borderline $\varnothing 150$
- outlet DN50 lateral ABS
- with water trap (removable)
- without waterproofing sheet

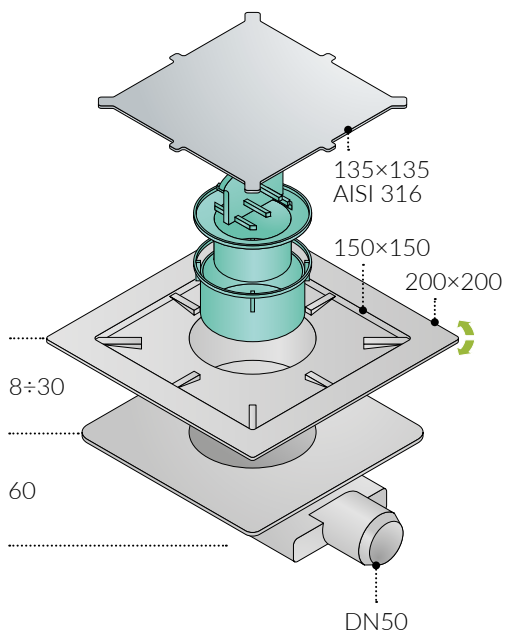
$\varnothing 135 \times \varnothing 50$

10 - C (box)

C13



30 mm 31 l/min 10 pcs.



b. 2665.798.8

size

packaging

category

- support for central tile $\varnothing 135$ s/steel AISI 316
- tiles borderline $\varnothing 150$
- outlet DN50 lateral ABS
- with dry trap (removable)
- without waterproofing sheet

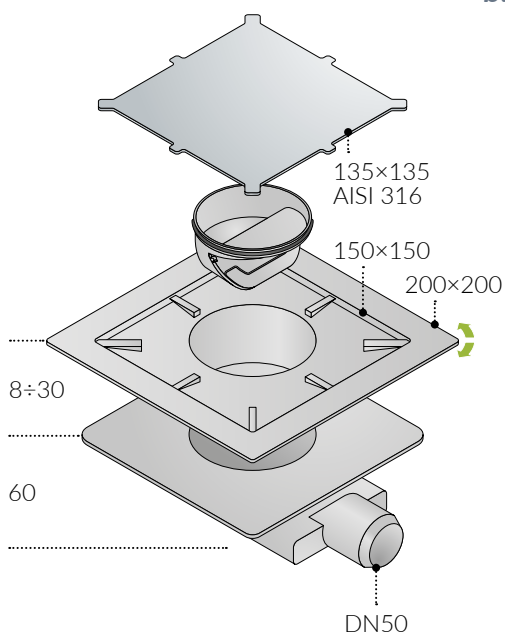
$\varnothing 135 \times \varnothing 50$

10 - C (box)

C13



31 l/min 10 pcs.



new

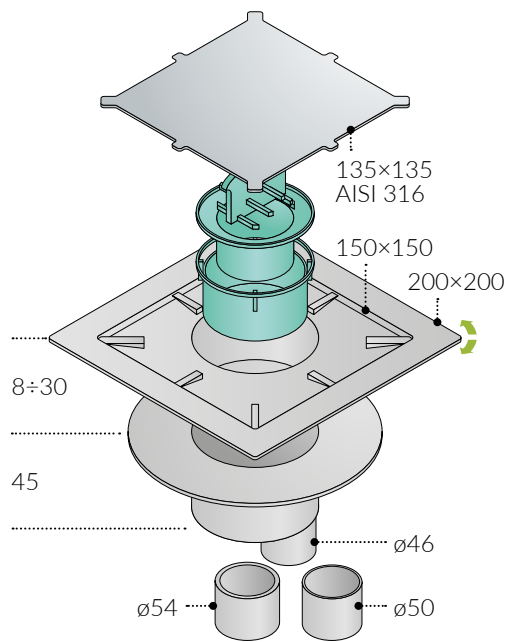


a. 2662.698.8	size	packaging	category
---------------	------	-----------	----------

- support for central tile $\varnothing 135$ s/steel AISI 316
- tiles borderline $\varnothing 150$
- outlet $\varnothing 46$ vertical ABS adaptor $\varnothing 50/54$ ABS
- with water trap (removable)
- without waterproofing sheet

$\varnothing 135 \times \varnothing 50$	10 - C (box)	
---	--------------	--

			new
30 mm	20 l/min	10 pcs.	

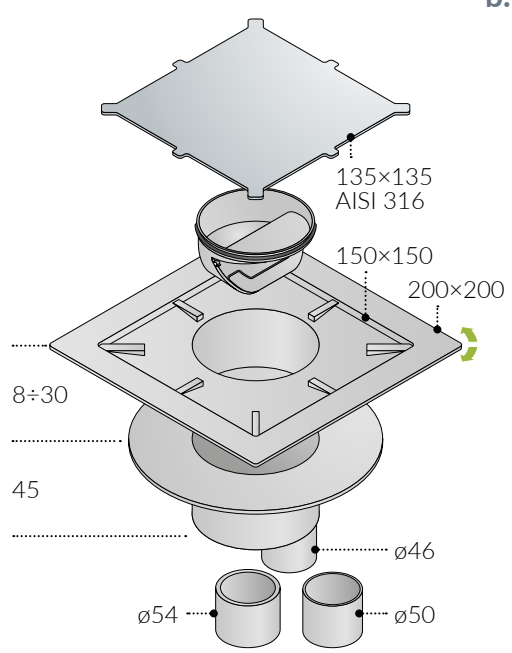


b. 2662.798.8	size	packaging	category
---------------	------	-----------	----------

- support for central tile $\varnothing 135$ s/steel AISI 316
- tiles borderline $\varnothing 150$
- outlet $\varnothing 46$ vertical ABS adaptor $\varnothing 50/54$ ABS
- with dry trap (removable)
- without waterproofing sheet

$\varnothing 135 \times \varnothing 50$	10 - C (box)	
---	--------------	--

		new
20 l/min	10 pcs.	



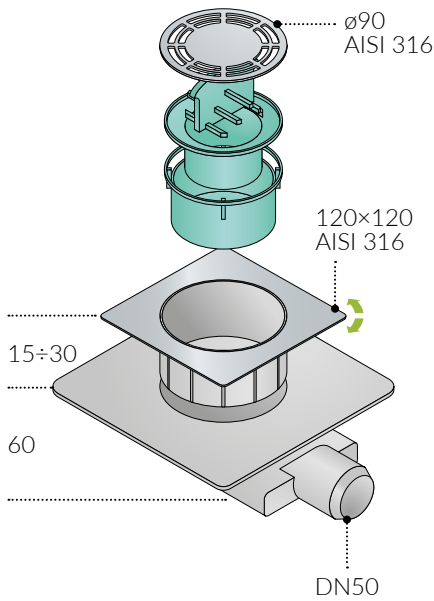
2655 + 2652

Tirana steel + steel/dry-trap

ABS trapped floor drain, with s/steel AISI 316 grid



- grid and orientable frame in s/steel AISI 316, adjustable in height 15÷30 mm
- anti-infiltrations flange useful for thin bed waterproofing
- without waterproofing sheet
- removable trap for cleaning (available also with dry trap)
- dry-spot, drainage point for the water filtered through the flooring
- tiling thickness 15÷30 mm
- room under floor H. 60 mm



a. 2655.491.8

- grid Standard AISI 316
- frame ø120 AISI 316
- outlet DN50 lateral ABS
- with water trap (removable)
- without waterproofing sheet

size packaging category

ø120 × ø50 10 - C (box) C13



30 mm 27 l/min 10 pcs.



b. 2655.495.8

- grid Design AISI 316
- frame ø120 AISI 316
- outlet DN50 lateral ABS
- with water trap (removable)
- without waterproofing sheet

size packaging category

ø120 × ø50 10 - C (box) C13



30 mm 27 l/min 10 pcs.



c. 2655.496.8

- grid Square AISI 316
- frame ø120 AISI 316
- outlet DN50 lateral ABS
- with water trap (removable)
- without waterproofing sheet

size packaging category

ø120 × ø50 10 - C (box) C13



30 mm 27 l/min 10 pcs.



a. 2655.591.8

- grid Standard AISI 316
- frame ø120 AISI 316
- outlet DN50 lateral ABS
- with dry trap (removable)
- without waterproofing sheet

size packaging category

ø120 × ø50 10 - C (box) C13



27 l/min 10 pcs.



b. 2655.595.8

- grid Design AISI 316
- frame ø120 AISI 316
- outlet DN50 lateral ABS
- with dry trap (removable)
- without waterproofing sheet

size packaging category

ø120 × ø50 10 - C (box) C13



27 l/min 10 pcs.



c. 2655.596.8

- grid Square AISI 316
- frame ø120 AISI 316
- outlet DN50 lateral ABS
- with dry trap (removable)
- without waterproofing sheet

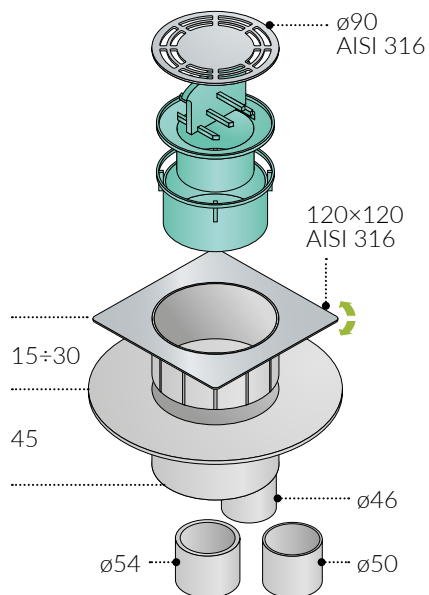
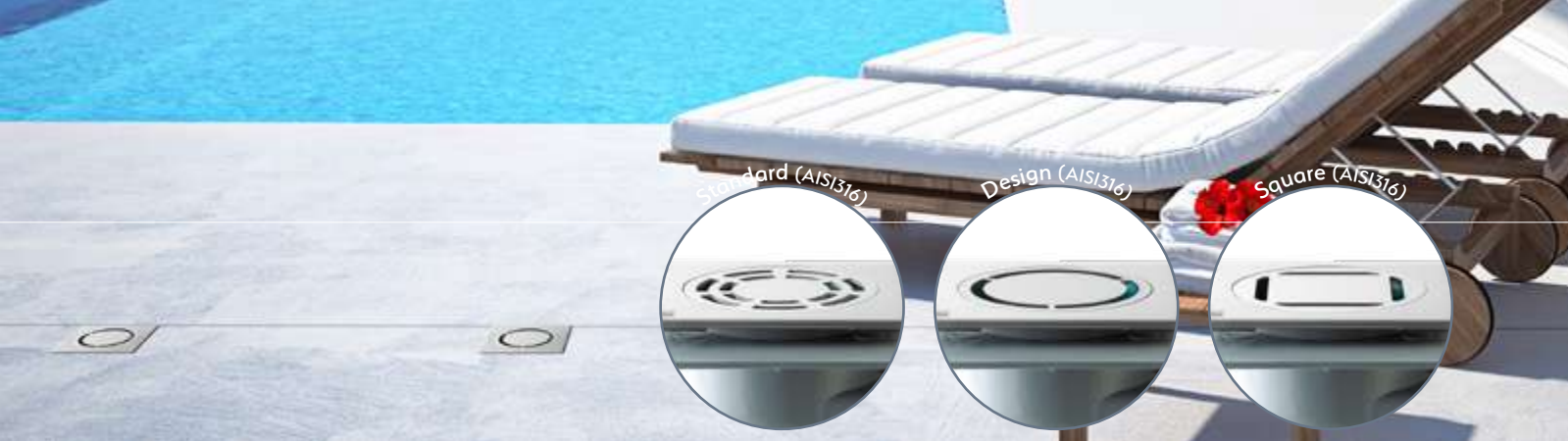
size packaging category

ø120 × ø50 10 - C (box) C13



27 l/min 10 pcs.

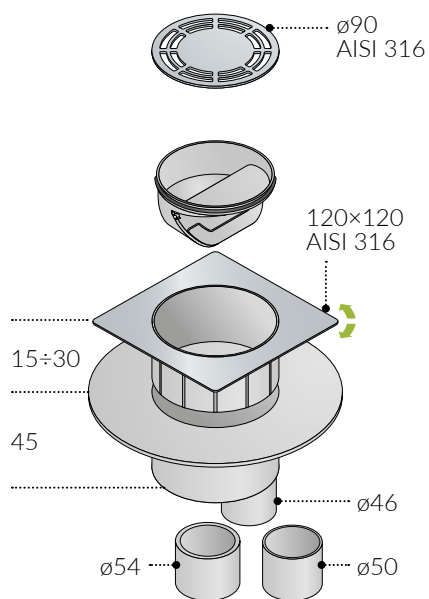




a. 2652.491.8	size	packaging	category
<ul style="list-style-type: none"> - grid Standard AISI 316 - frame $\varnothing 120$ AISI 316 - outlet $\varnothing 46$ vertical ABS - adaptor $\varnothing 50/54$ ABS - with water trap (removable) - without waterproofing sheet 	$\varnothing 120 \times \varnothing 50$	10 - C (box)	C13
	30 mm 20 l/min 10 pcs.		

b. 2652.495.8	size	packaging	category
<ul style="list-style-type: none"> - grid Design AISI 316 - frame $\varnothing 120$ AISI 316 - outlet $\varnothing 46$ vertical ABS - adaptor $\varnothing 50/54$ ABS - with water trap (removable) - without waterproofing sheet 	$\varnothing 120 \times \varnothing 50$	10 - C (box)	C13
	30 mm 20 l/min 10 pcs.		

c. 2652.496.8	size	packaging	category
<ul style="list-style-type: none"> - grid Square AISI 316 - frame $\varnothing 120$ AISI 316 - outlet $\varnothing 46$ vertical ABS - adaptor $\varnothing 50/54$ ABS - with water trap (removable) - without waterproofing sheet 	$\varnothing 120 \times \varnothing 50$	10 - C (box)	C13
	30 mm 20 l/min 10 pcs.		



a. 2652.591.8	size	packaging	category
<ul style="list-style-type: none"> - grid Standard AISI 316 - frame $\varnothing 120$ AISI 316 - outlet $\varnothing 46$ vertical ABS - adaptor $\varnothing 50/54$ ABS - with dry trap (removable) - without waterproofing sheet 	$\varnothing 120 \times \varnothing 50$	10 - C (box)	C13
	20 l/min 10 pcs.		

b. 2652.595.8	size	packaging	category
<ul style="list-style-type: none"> - grid Design AISI 316 - frame $\varnothing 120$ AISI 316 - outlet $\varnothing 46$ vertical ABS - adaptor $\varnothing 50/54$ ABS - with dry trap (removable) - without waterproofing sheet 	$\varnothing 120 \times \varnothing 50$	10 - C (box)	C13
	20 l/min 10 pcs.		

c. 2652.596.8	size	packaging	category
<ul style="list-style-type: none"> - grid Square AISI 316 - frame $\varnothing 120$ AISI 316 - outlet $\varnothing 46$ vertical ABS - adaptor $\varnothing 50/54$ ABS - with dry trap (removable) - without waterproofing sheet 	$\varnothing 120 \times \varnothing 50$	10 - C (box)	C13
	20 l/min 10 pcs.		



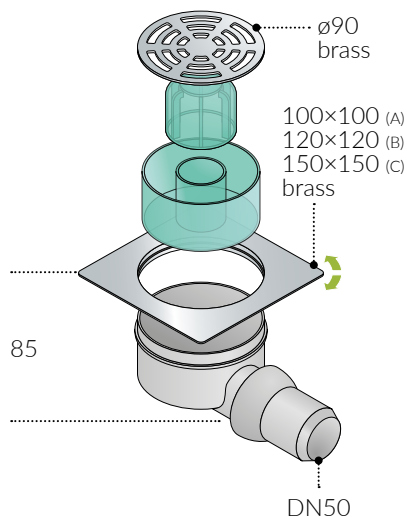
2565

Kuala Lumpur

ABS trapped floor drain, with c.p. brass grid

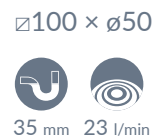


- grid and orientable frame in c.p. brass
- no waterproofing predisposition
- removable trap for cleaning
- ABS jointed lateral outlet DN50
- room under floor H. 85 mm



a. 2565.201.8 size packaging category

- grid Standard c.p. brass
- frame ø100 c.p. brass
- outlet DN50 lateral ABS
- with water trap (removable)
- no waterproofing predisposition



16 - B (box)



C13

b. 2565.401.8 size packaging category

- grid Standard c.p. brass
- frame ø120 c.p. brass
- outlet DN50 lateral ABS
- with water trap (removable)
- no waterproofing predisposition



16 - B (box)



C13

c. 2565.901.8 size packaging category

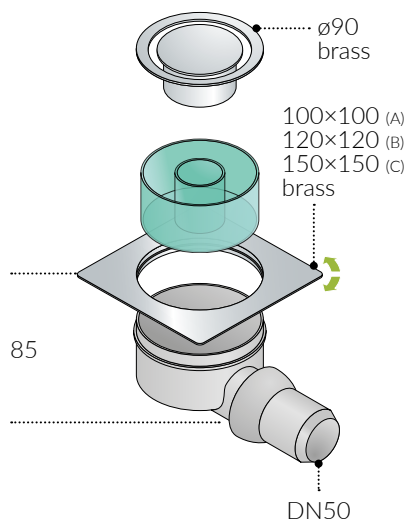
- grid Standard c.p. brass
- frame ø150 c.p. brass
- outlet DN50 lateral ABS
- with water trap (removable)
- no waterproofing predisposition



12 - B (box)



C13



a. 2565.251.8 size packaging category

- grid Design c.p. brass
- frame ø100 c.p. brass
- outlet DN50 lateral ABS
- with water trap (removable)
- no waterproofing predisposition



16 - B (box)



C13

b. 2565.451.8 size packaging category

- grid Design c.p. brass
- frame ø120 c.p. brass
- outlet DN50 lateral ABS
- with water trap (removable)
- no waterproofing predisposition



16 - B (box)



C13

c. 2565.951.8 size packaging category

- grid Design c.p. brass
- frame ø150 c.p. brass
- outlet DN50 lateral ABS
- with water trap (removable)
- no waterproofing predisposition



12 - B (box)



C13

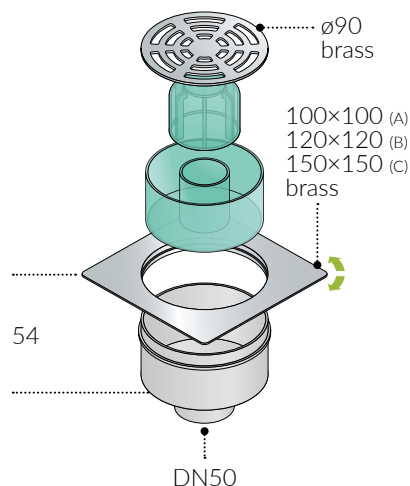
2562

Manila

ABS trapped floor drain, with c.p. brass grid



- grid and orientable frame in c.p. brass
- no waterproofing predisposition
- removable trap for cleaning
- ABS vertical outlet DN50
- room under floor H. 54 mm



a. 2562.201.8 size packaging category

- grid Standard c.p. brass
- frame $\varnothing 100$ c.p. brass
- outlet $\varnothing 46$ vertical ABS adaptor $\varnothing 50/54$ ABS
- with water trap (removable)
- no waterproofing predisposition

$\varnothing 100 \times \varnothing 50$ 16 - B (box)

C13



b. 2562.401.8 size packaging category

- grid Standard c.p. brass
- frame $\varnothing 120$ c.p. brass
- outlet $\varnothing 46$ vertical ABS adaptor $\varnothing 50/54$ ABS
- with water trap (removable)
- no waterproofing predisposition

$\varnothing 120 \times \varnothing 50$ 16 - B (box)

C13

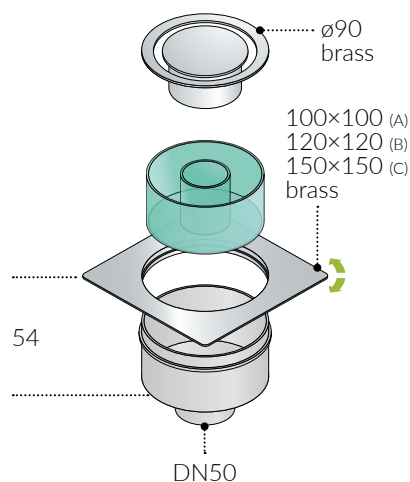


c. 2562.901.8 size packaging category

- grid Standard c.p. brass
- frame $\varnothing 150$ c.p. brass
- outlet $\varnothing 46$ vertical ABS adaptor $\varnothing 50/54$ ABS
- with water trap (removable)
- without waterproofing

$\varnothing 150 \times \varnothing 50$ 12 - B (box)

C13



a. 2562.251.8 size packaging category

- grid Design c.p. brass
- frame $\varnothing 100$ c.p. brass
- outlet $\varnothing 46$ vertical ABS adaptor $\varnothing 50/54$ ABS
- with water trap (removable)
- no waterproofing predisposition

$\varnothing 100 \times \varnothing 50$ 16 - B (box)

C13



b. 2562.451.8 size packaging category

- grid Design c.p. brass
- frame $\varnothing 120$ c.p. brass
- outlet $\varnothing 46$ vertical ABS adaptor $\varnothing 50/54$ ABS
- with water trap (removable)
- no waterproofing predisposition

$\varnothing 120 \times \varnothing 50$ 16 - B (box)

C13



c. 2562.951.8 size packaging category

- grid Design c.p. brass
- frame $\varnothing 150$ c.p. brass
- outlet $\varnothing 46$ vertical ABS adaptor $\varnothing 50/54$ ABS
- with water trap (removable)
- no waterproofing predisposition

$\varnothing 150 \times \varnothing 50$ 12 - B (box)

C13



Dry trap not compatible

2555

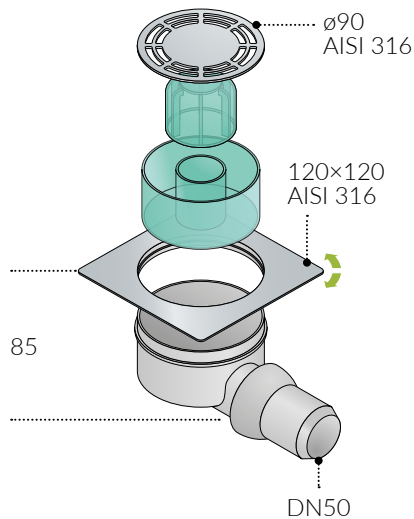
Kuala Lumpur steel

ABS trapped floor drain, with s/steel AISI 316 grid



- grid and orientable frame in s/steel AISI 316
- no waterproofing predisposition
- removable trap for cleaning
- ABS jointed lateral outlet DN50
- room under floor H. 85 mm

a. 2555.401.8



- grid Standard AISI 316
- frame $\varnothing 120$ AISI 316
- outlet DN50 lateral ABS
- with water trap (removable)
- no waterproofing predisposition

size

$\varnothing 120 \times \varnothing 50$

packaging

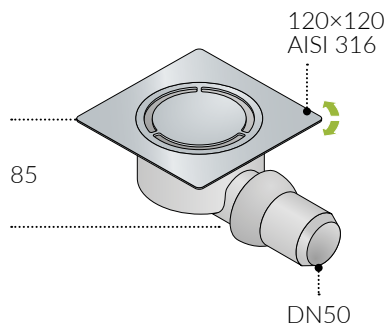
16 - B (box)

category

C13



b. 2555.451.8



- grid Design AISI 316
- frame $\varnothing 120$ AISI 316
- outlet DN50 lateral ABS
- with water trap (removable)
- no waterproofing predisposition

size

$\varnothing 120 \times \varnothing 50$

packaging

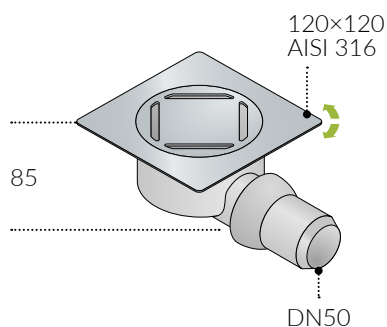
16 - B (box)

category

C13



c. 2555.461.8



- grid Square AISI 316
- frame $\varnothing 120$ AISI 316
- outlet DN50 lateral ABS
- with water trap (removable)
- no waterproofing predisposition

size

$\varnothing 120 \times \varnothing 50$

packaging

16 - B (box)

category

C13



2552

Manila steel

ABS trapped floor drain, with s/steel AISI 316 grid



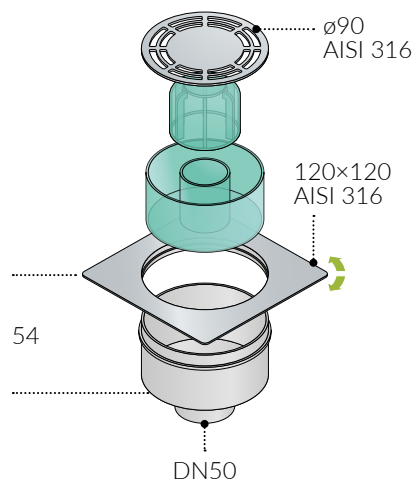
- grid and orientable frame in s/steel AISI 316
- no waterproofing predisposition
- removable trap for cleaning
- ABS vertical outlet DN50
- room under floor H. 54 mm

a. 2552.401.8 size packaging category

- grid Standard AISI 316
- frame $\varnothing 120$ AISI 316
- outlet $\varnothing 46$ vertical ABS
adaptor $\varnothing 50/54$ ABS
- with water trap (removable)
- no waterproofing predisposition

$\varnothing 120 \times \varnothing 50$ 16 - B (box)

C13

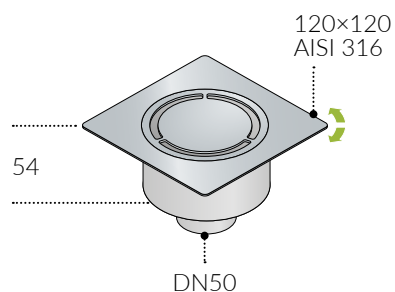


b. 2552.451.8 size packaging category

- grid Design AISI 316
- frame $\varnothing 120$ AISI 316
- outlet $\varnothing 46$ vertical ABS
adaptor $\varnothing 50/54$ ABS
- with water trap (removable)
- no waterproofing predisposition

$\varnothing 120 \times \varnothing 50$ 16 - B (box)

C13

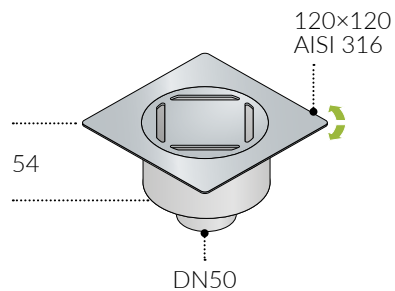


c. 2552.461.8 size packaging category

- grid Design AISI 316
- frame $\varnothing 120$ AISI 316
- outlet $\varnothing 46$ vertical ABS
adaptor $\varnothing 50/54$ ABS
- with water trap (removable)
- no waterproofing predisposition

$\varnothing 120 \times \varnothing 50$ 16 - B (box)

C13



Dry trap not compatible

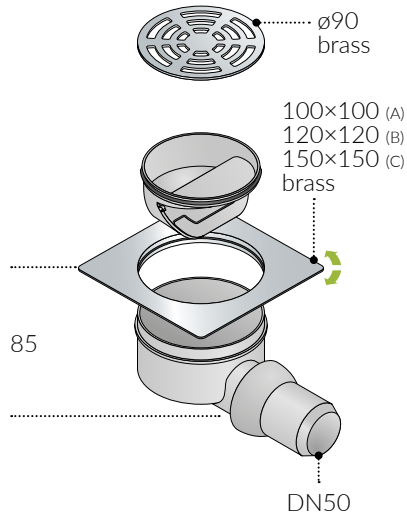
2565 + 2555

Kuala Lumpur dry-trap

ABS trapped floor drain, with dry trap






- grid and orientable frame in c.p. brass and s/steel AISI 316
- no waterproofing predisposition
- removable dry trap for cleaning
- ABS jointed lateral outlet DN50
- room under floor H. 85 mm






a. 2565.206.8

- grid Standard c.p. brass
- frame $\varnothing 100$ c.p. brass
- outlet DN50 lateral ABS
- with dry trap (removable)
- no waterproofing predisposition

size	packaging	category
$\varnothing 100 \times \varnothing 50$	16 - B (box)	C13
 	23 l/min 16 pcs.	




b. 2565.406.8

- grid Standard c.p. brass
- frame $\varnothing 120$ c.p. brass
- outlet DN50 lateral ABS
- with dry trap (removable)
- no waterproofing predisposition

size	packaging	category
$\varnothing 120 \times \varnothing 50$	16 - B (box)	C13
 	23 l/min 16 pcs.	




c. 2565.906.8

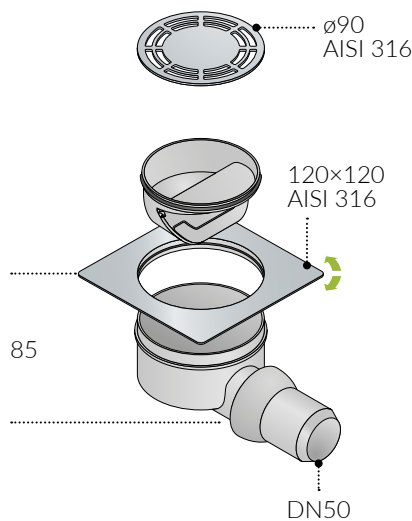
- grid Standard c.p. brass
- frame $\varnothing 150$ c.p. brass
- outlet DN50 lateral ABS
- with dry trap (removable)
- no waterproofing predisposition

size	packaging	category
$\varnothing 150 \times \varnothing 50$	12 - B (box)	C13
 	23 l/min 12 pcs.	

a. 2555.406.8




- grid Standard AISI 316
- frame $\varnothing 120$ AISI 316
- outlet DN50 lateral ABS
- with dry trap (removable)
- no waterproofing predisposition

size	packaging	category
$\varnothing 120 \times \varnothing 50$	16 - B (box)	C13
 	23 l/min 16 pcs.	






b. 2565.456.8

- grid Design AISI 316
- frame $\varnothing 120$ AISI 316
- outlet DN50 lateral ABS
- with dry trap (removable)
- no waterproofing predisposition

size	packaging	category
$\varnothing 120 \times \varnothing 50$	16 - B (box)	C13
 	23 l/min 16 pcs.	

c. 2565.466.8

- grid Design AISI 316
- frame $\varnothing 120$ AISI 316
- outlet DN50 lateral ABS
- with dry trap (removable)
- no waterproofing predisposition

size	packaging	category
$\varnothing 120 \times \varnothing 50$	16 - B (box)	C13
 	23 l/min 16 pcs.	

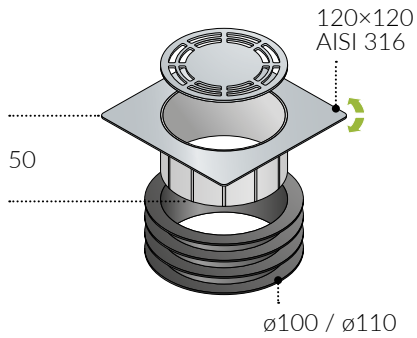
9977

Kalamáta grated

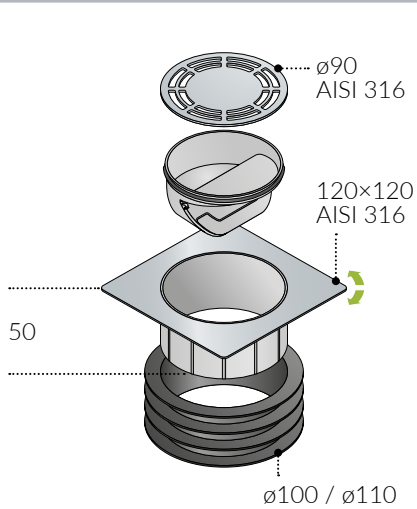
ABS floor drain, with s/steel AISI 316



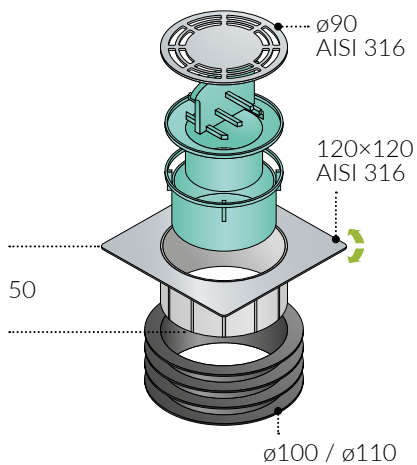
- universal gasket in EPDM to fit different pipes diameters, from $\phi 100$ to $\phi 110$ mm
- grid and orientable frame in s/steel AISI 316
- no waterproofing predisposition
- dry-spot, drainage point for the water filtered through the flooring
- height adjustment from 15 to 30 mm



a. 9977.491.9.S	size	packaging	category
<ul style="list-style-type: none"> - without trap - universal gasket to fit pipes from $\phi 100$ to $\phi 110$ mm - grid Standard AISI 316 - frame $\phi 120$ AISI 316 	$\phi 120$ 16 pcs. new	16 - B (box)	C13



a. 9977.591.9.S	size	packaging	category
<ul style="list-style-type: none"> - with dry trap (removable) - universal gasket to fit pipes from $\phi 100$ to $\phi 110$ mm - grid Standard AISI 316 - frame $\phi 120$ AISI 316 	$\phi 120$ 16 pcs. new	16 - B (box)	C13



a. 9977.411.9.S	size	packaging	category
<ul style="list-style-type: none"> - with water trap (removable) - universal gasket to fit pipes from $\phi 100$ to $\phi 110$ mm - grid Standard AISI 316 - frame $\phi 120$ AISI 316 	$\phi 120$ 30 mm 16 pcs. new	16 - B (box)	C13

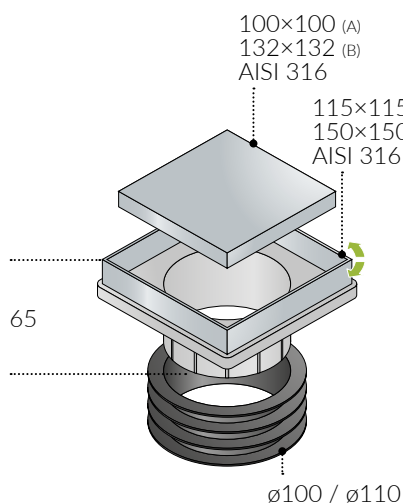


Kalamáta tileable

ABS floor drain, with s/steel AISI 316 tileable cover

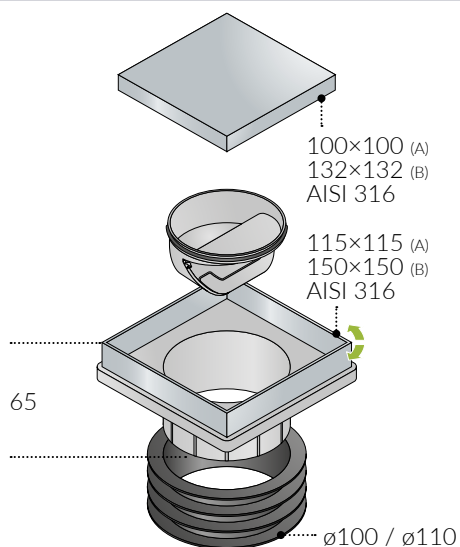


- universal gasket in EPDM to fit different pipes diameters, from $\phi 100$ to $\phi 110$ mm
- tileable cover and orientable frame in s/steel AISI 316
- no waterproofing predisposition
- dry-spot, drainage point for the water filtered through the flooring
- height adjustment from 24 to 40 mm



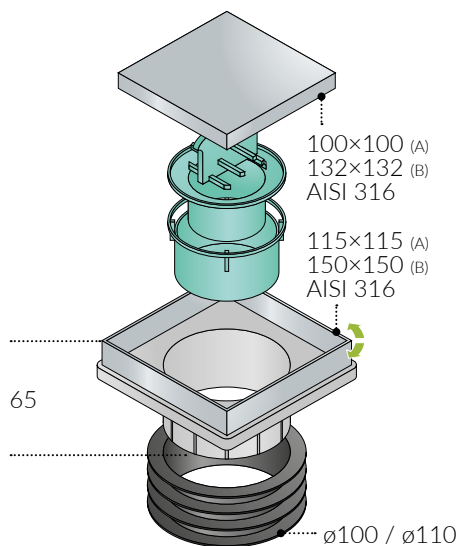
a.	9977.492.9	size	packaging	category
-	without trap	$\phi 115$	10 - C (box)	C13
-	universal gasket to fit pipes from $\phi 100$ to $\phi 110$ mm	new		
-	cover $\phi 100$ AISI 316 reversible tileable	10 pcs.		
-	frame $\phi 115$ AISI 316			

b.	9977.692.9	size	packaging	category
-	without trap	$\phi 150$	10 - C (box)	C13
-	universal gasket to fit pipes from $\phi 100$ to $\phi 110$ mm	new		
-	cover $\phi 132$ AISI 316 reversible tileable	10 pcs.		
-	frame $\phi 150$ AISI 316			



a.	9977.592.9	size	packaging	category
-	with dry trap (removable)	$\phi 115$	10 - C (box)	C13
-	universal gasket to fit pipes from $\phi 100$ to $\phi 110$ mm	new		
-	cover $\phi 100$ AISI 316 reversible tileable	10 pcs.		
-	frame $\phi 115$ AISI 316			

b.	9977.792.9	size	packaging	category
-	with dry trap (removable)	$\phi 150$	10 - C (box)	C13
-	universal gasket to fit pipes from $\phi 100$ to $\phi 110$ mm	new		
-	cover $\phi 132$ AISI 316 reversible tileable	10 pcs.		
-	frame $\phi 150$ AISI 316			



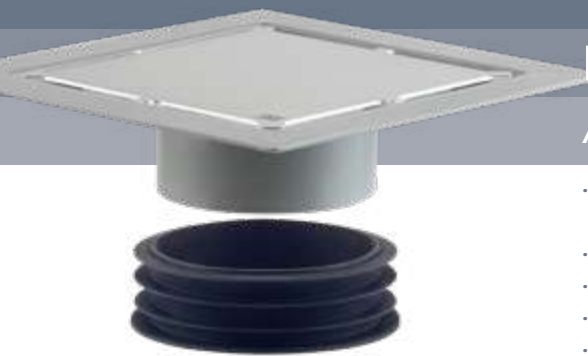
a.	9977.412.9	size	packaging	category
-	with water trap (removable)	$\phi 115$	10 - C (box)	C13
-	universal gasket to fit pipes from $\phi 100$ to $\phi 110$ mm	new		
-	cover $\phi 100$ AISI 316 reversible tileable	30 mm 10 pcs.		
-	frame $\phi 115$ AISI 316			

b.	9977.612.9	size	packaging	category
-	with water trap (removable)	$\phi 150$	10 - C (box)	C13
-	universal gasket to fit pipes from $\phi 100$ to $\phi 110$ mm	new		
-	cover $\phi 132$ AISI 316 reversible tileable	30 mm 10 pcs.		
-	frame $\phi 150$ AISI 316			

9977

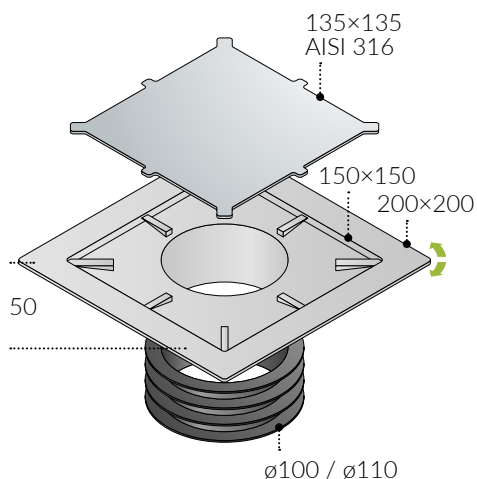
Kalamáta unseen

ABS floor drain, completely invisible



- universal gasket in EPDM to fit different pipes diameters, from $\phi 100$ to $\phi 110$ mm
- AISI316 stainless steel support for central tile
- anti-infiltrations flange useful for thin bed waterproofing
- without waterproofing sheet
- height adjustment from 25 to 40 mm

omptea.eu



a. 9977.698.9

- without trap
- universal gasket to fit pipes from $\phi 100$ to $\phi 110$ mm
- support for central tile $\phi 135$ s/steel AISI 316
- tiles borderline $\phi 150$
- without waterproofing sheet

size

$\phi 135$



10 pcs.

new

packaging

10 - C (box)

category

C13



a. 9977.798.9

- with dry trap (removable)
- universal gasket to fit pipes from $\phi 100$ to $\phi 110$ mm
- support for central tile $\phi 135$ s/steel AISI 316
- tiles borderline $\phi 150$
- without waterproofing sheet

size

$\phi 135$



10 pcs.

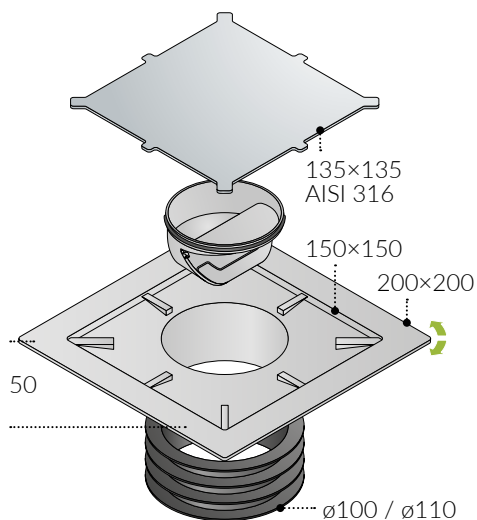
new

packaging

10 - C (box)

category

C13



a. 9977.618.9

- with water trap (removable)
- universal gasket to fit pipes from $\phi 100$ to $\phi 110$ mm
- support for central tile $\phi 135$ s/steel AISI 316
- tiles borderline $\phi 150$
- without waterproofing sheet

size

$\phi 135$



30 mm



10 pcs.

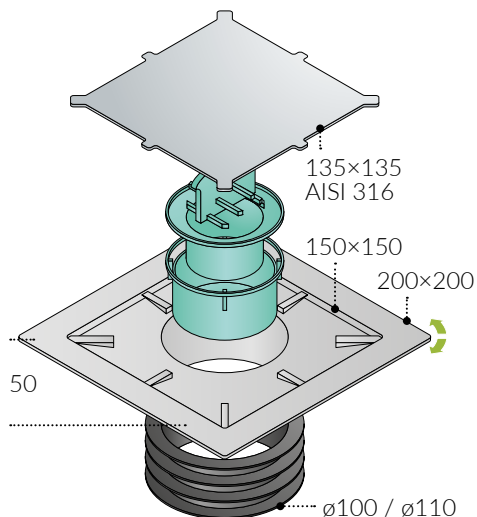
new

packaging

10 - C (box)

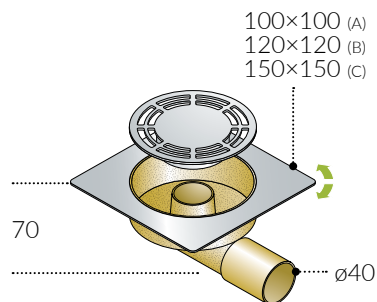
category

C13



65 + 62

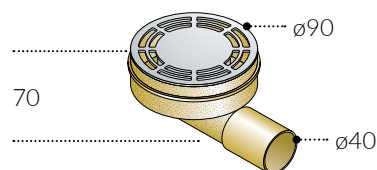
...
brass trapped floor drain, with c.p. brass grid



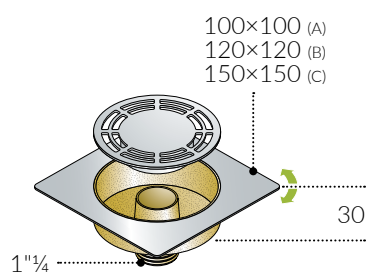
a. 65.200.6	size	packaging	category
<ul style="list-style-type: none"> - c.p. brass grid - frame $\varnothing 100$ c.p. brass - outlet $\varnothing 40$ lateral brass - with water trap 	$\varnothing 100 \times \varnothing 40$	15 - T (box)	C15

b. 65.400.6	size	packaging	category
<ul style="list-style-type: none"> - c.p. brass grid - frame $\varnothing 120$ c.p. brass - outlet $\varnothing 40$ lateral brass - with water trap 	$\varnothing 120 \times \varnothing 40$	15 - T (box)	C15

c. 65.900.6	size	packaging	category
<ul style="list-style-type: none"> - c.p. brass grid - frame $\varnothing 150$ c.p. brass - outlet $\varnothing 40$ lateral brass - with water trap 	$\varnothing 150 \times \varnothing 40$	16 - B (box)	C15



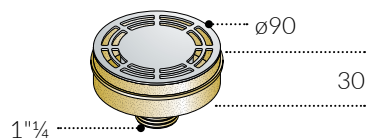
a. 65.300.6	size	packaging	category
<ul style="list-style-type: none"> - c.p. brass grid - without frame - outlet $\varnothing 40$ lateral brass - with water trap 	$\varnothing 90 \times \varnothing 40$	15 - T (box)	C15



a. 62.405.5	size	packaging	category
<ul style="list-style-type: none"> - c.p. brass grid - frame $\varnothing 100$ c.p. brass - outlet $1\frac{1}{4}$ vertical brass - with water trap 	$\varnothing 100 \times 1\frac{1}{4}$	30 - T (box)	C15

b. 62.605.5	size	packaging	category
<ul style="list-style-type: none"> - c.p. brass grid - frame $\varnothing 120$ c.p. brass - outlet $1\frac{1}{4}$ vertical brass - with water trap 	$\varnothing 120 \times \varnothing 40$	30 - T (box)	C15

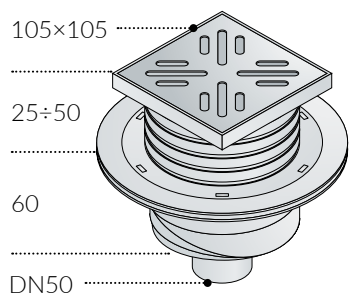
c. 62.905.5	size	packaging	category
<ul style="list-style-type: none"> - c.p. brass grid - frame $\varnothing 150$ c.p. brass - outlet $1\frac{1}{4}$ vertical brass - with water trap 	$\varnothing 150 \times \varnothing 40$	16 - B (box)	C15



a. 62.305.5	size	packaging	category
<ul style="list-style-type: none"> - c.p. brass grid - without frame - outlet $1\frac{1}{4}$ vertical brass - with water trap 	$\varnothing 90 \times 1\frac{1}{4}$	30 - T (box)	C15

263 + 265 + 267 + 271

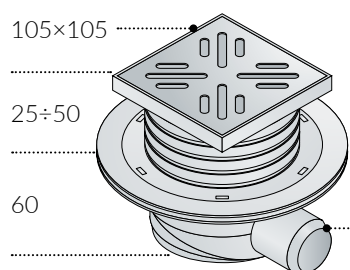
plastic trapped floor drain



a. 263.201.8

- in ABS
- grid $\varnothing 105$ s/steel
- outlet DN50 vertical ABS
- with water trap (removable)
- waterproofing predisposition
- without waterproofing sheet
- tiling thickness 25±50
- room under floor H. 60

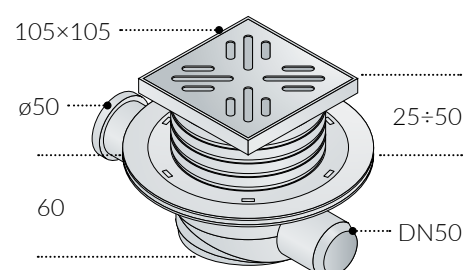
size	packaging	category
$\varnothing 105 \times \varnothing 50$	10 - Q (box)	C13



b. 265.201.8

- grid $\varnothing 105$ s/steel
- outlet DN50 lateral ABS
- with water trap (removable)
- waterproofing predisposition
- without waterproofing sheet
- tiling thickness 25±50
- room under floor H. 60

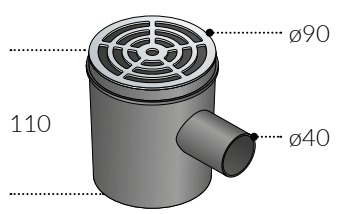
size	packaging	category
$\varnothing 105 \times \varnothing 50$	10 - B (box)	C13



c. 267.201.8

- grid $\varnothing 105$ s/steel
- outlet DN50 lateral ABS
- with $\varnothing 50$ additional inlet
- with water trap (removable)
- waterproofing predisposition
- without waterproofing sheet
- tiling thickness 25±50
- room under floor H. 60

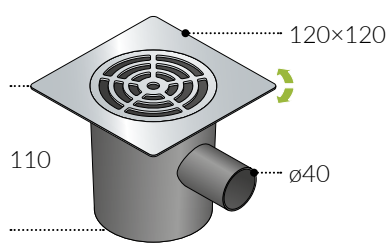
size	packaging	category
$\varnothing 105 \times \varnothing 50$	10 - B (box)	C13



a. 271.303.6

- in PEHD
- grid $\varnothing 90$ c.p. brass
- without frame
- outlet $\varnothing 40$ lateral PEHD
- with water trap (removable)
- no waterproofing predisposition
- room under floor H. 110

size	packaging	category
$\varnothing 90 \times \varnothing 40$	30 - B (bag)	C13



b. 271.403.6

- grid $\varnothing 90$ c.p. brass
- frame $\varnothing 120$ c.p. brass
- outlet $\varnothing 40$ lateral PEHD
- with water trap (removable)
- no waterproofing predisposition
- room under floor H. 110

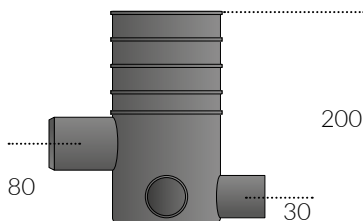
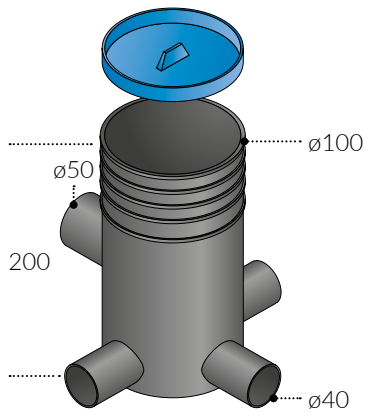
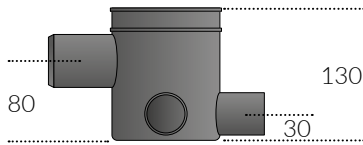
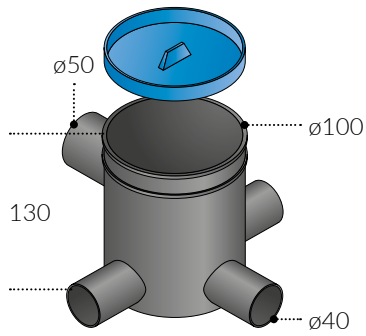
size	packaging	category
$\varnothing 90 \times \varnothing 40$	30 - A (bag)	C13



274 + 275

...

PEHD floor drain



a. 274.003.8

- H. 130
- in PEHD
- 3 inlets $\phi 40$
- outlet $\phi 50$
- no trap
- with protection lid

size

$\phi 100 \times \phi 50$



10 pcs.

packaging

10 - B (bag)

category

C13



b. 275.003.8

- H. 200
- in PEHD
- 3 inlets $\phi 40$
- outlet $\phi 50$
- no trap
- with protection lid

size

$\phi 100 \times \phi 50$



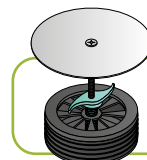
10 pcs.

packaging

10 - C (bag)

category

C13



SPARE PARTS / FLOOR DRAIN PLUG

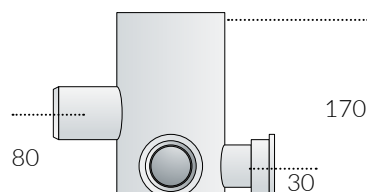
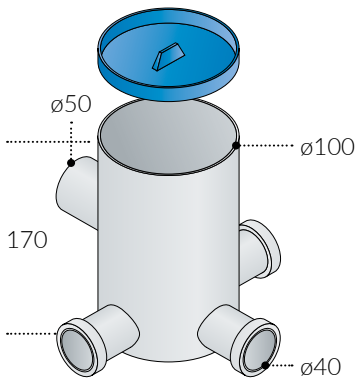
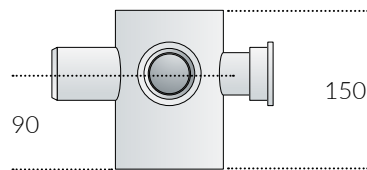
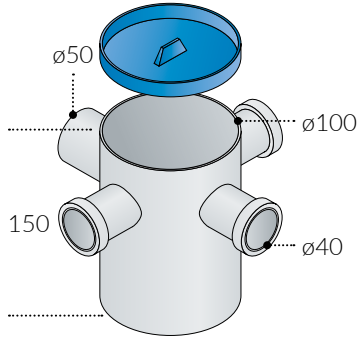
177.600.0 / 177.100.0

For more informations see page ***

274 + 275

...

PP floor drain



a. 274.002.8

- H.150
- in PP
- 3 inlets $\phi 40$
- outlet $\phi 50$
- with removable trap
- with protection lid

size

$\phi 100 \times \phi 50$



50 mm 10 pcs.

packaging

10 - B (bag)

category

C13



b. 275.002.8

- H.170
- in PP
- 3 inlets $\phi 40$
- outlet $\phi 50$
- no trap
- with protection lid

size

$\phi 100 \times \phi 50$



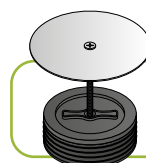
10 pcs.

packaging

10 - C (bag)

category

C13



SPARE PARTS / FLOOR DRAIN PLUG



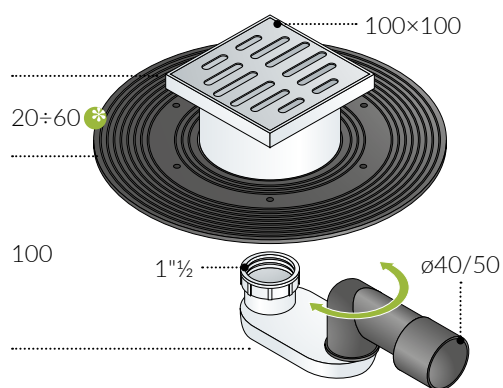
177.601.0

For more informations see page ***

266 + 262

Minnie

PEHD trap for cellars and terraces



a. 266.277.8

- s/steel grid $\varnothing 100$
- anti-infiltrations flange useful for PVC sheet waterproofing
- without waterproofing sheet
- with PEHD trap
- outlet $\varnothing 40/50$
- tiling thickness 20÷60
- room under floor H. 100

size

$\varnothing 100 \times \varnothing 50$

packaging

10 - Q (bag)

category

C13



40 mm 65 l/min 10 pcs.



b. 262.277.6

- s/steel grid $\varnothing 100$
- anti-infiltrations flange useful for PVC sheet waterproofing
- without waterproofing sheet
- without trap
- outlet 1 1/2
- tiling thickness 20÷60

size

$\varnothing 100 \times 1 1/2$

packaging

10 - Q (bag)

category

C13



10 pcs.

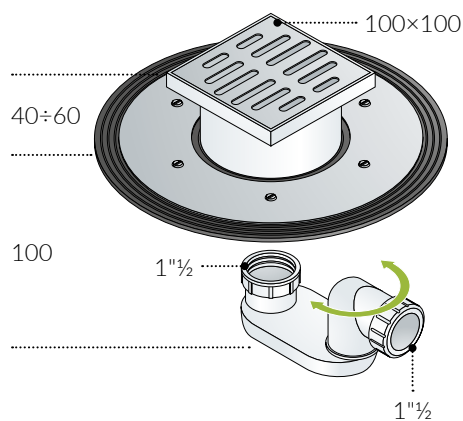


SPARE PARTS / TAILPIECES



250.318.6 / 251.353.6

For more informations see page ***



a. 266.226.6

- s/steel grid $\varnothing 100$
- anti-infiltrations flange useful for PVC sheet waterproofing
- waterproof. sheet 1200x1200
- with PEHD trap
- outlet 1 1/2
- tiling thickness 20÷60
- room under floor H. 100

size

$\varnothing 100 \times 1 1/2$

packaging

4 - Q (box)

category

C13



40 mm 65 l/min 4 pcs.



b. 266.246.6

- s/steel grid $\varnothing 100$
- anti-infiltrations flange useful for PVC sheet waterproofing
- waterproof. sheet 1500x1800
- with PEHD trap
- outlet 1 1/2
- tiling thickness 20÷60
- room under floor H. 100

size

$\varnothing 100 \times 1 1/2$

packaging

4 - Q (box)

category

C13



40 mm 65 l/min 4 pcs.



c. 266.236.6

- s/steel grid $\varnothing 100$
- anti-infiltrations flange useful for PVC sheet waterproofing
- waterproof. sheet 1800x2000
- with PEHD trap
- outlet 1 1/2
- tiling thickness 20÷60
- room under floor H. 100

size

$\varnothing 100 \times 1 1/2$

packaging

4 - Q (box)

category

C13



40 mm 65 l/min 4 pcs.



SPARE PARTS / WATERPROOFING KIT



177.501.0 / 177.521.0

For more informations see page ***

276

4-In

PEHD floor drain for cellars and terraces



a. 276.273.8

- s/steel grid $\varnothing 100$
- anti-infiltrations flange useful for PVC sheet waterproofing
- without waterproofing sheet
- H. 130
- in PEHD
- 3 inlets $\varnothing 40$
- outlet $\varnothing 50$

size

 $\varnothing 100 \times \varnothing 50$

packaging

10 -Q (bag)

category

C13



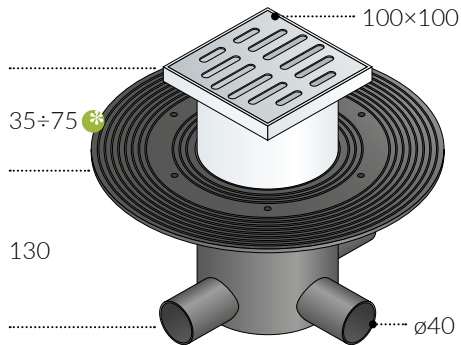
50 mm



34 l/min



10 pcs.



b. 276.973.8

- s/steel grid $\varnothing 140$
- anti-infiltrations flange useful for PVC sheet waterproofing
- without waterproofing sheet
- H. 130
- in PEHD
- 3 inlets $\varnothing 40$
- outlet $\varnothing 50$

size

 $\varnothing 140 \times \varnothing 50$

packaging

10 - Q (bag)

category

C13



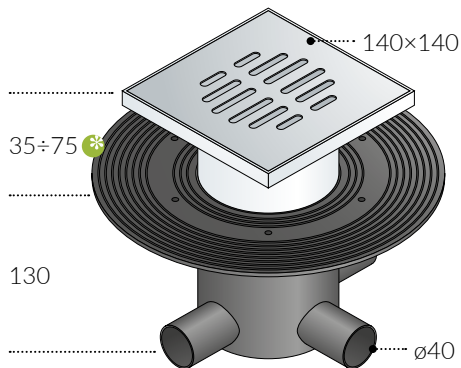
50 mm



34 l/min



10 pcs.



NOTES / TILING THICKNESS



The quoted minimum size refers to the product installed without a waterproofed slab. The minimum useful height, when the product is combined with waterproofing kits needs to be 40 mm

SPARE PARTS / WATERPROOFING KIT



177.501.0 / 177.521.0

For more informations see page ***





In-wall

- Calimero -
- Dolby -
- Dexa 1 -
- Dexa 2 - new
- Escundido + Escundido box -
- Split -
- recessed housing for conditioning -
- complementary for conditioning -
- Funnel -
- washing machine valve + accessories -



for the sanitary ware image, special thanks to
technova



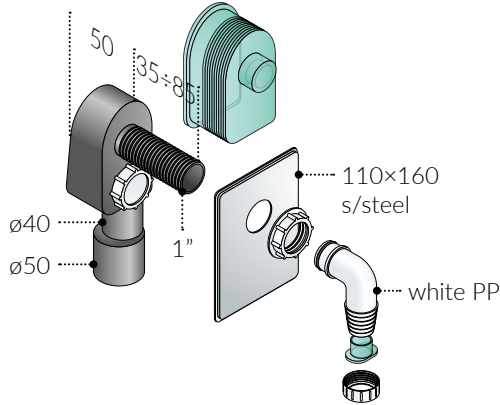
06



2112 Calimero

PEHD in-wall trap for washing machine

a. 2112.150.8



- white PP hose connection
- s/steel plate 110x160
- PEHD outlet ϕ 40/50
- inspectionable
- with protection

size

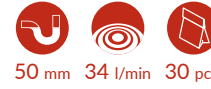
1" x ϕ 50

packaging

30 - Q (bag)

category

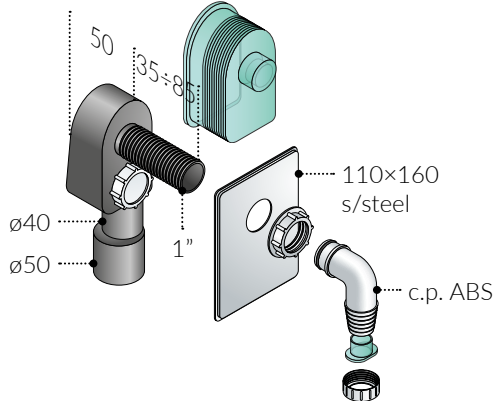
C11



50 mm 34 l/min 30 pcs.



b. 2112.350.8



- c.p. ABS hose connection
- s/steel plate 110x160
- PEHD outlet ϕ 40/50
- inspectionable
- with protection

size

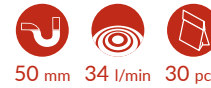
1" x ϕ 50

packaging

30 - Q (bag)

category

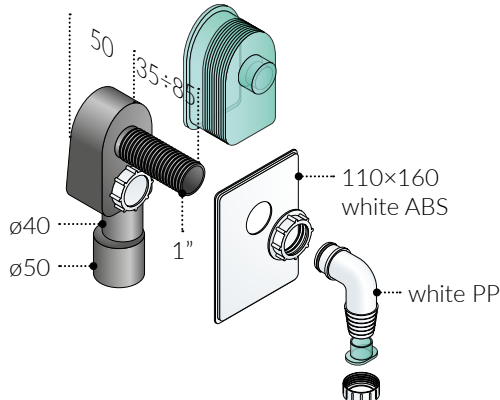
C11



50 mm 34 l/min 30 pcs.



c. 2112.110.8



- white PP hose connection
- white ABS plate 110x160
- PEHD outlet ϕ 40/50
- inspectionable
- with protection

size

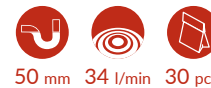
1" x ϕ 50

packaging

30 - Q (bag)

category

C11



50 mm 34 l/min 30 pcs.



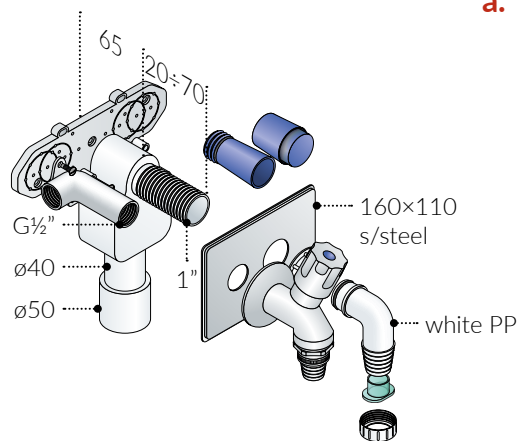
 PEHD outlet to be soldered with PE pipes



6107

Dolby

PP in-wall trap for washing machine and dishwasher



a. 6107.501.4

- white PP hose connection
- s/steel plate 160×110
- with metal connection for tap G $\frac{1}{2}$ "
- with angle valve DIN EN 1717
- with anchor plate
- PP outlet ϕ 40/50
- with testing plug and protection

size

$\frac{1}{2}$ " × ϕ 50

packaging

10 (box)

category

C11



50 mm 34 l/min 10 pcs.



b. 6107.201.4

- white PP hose connection
- s/steel plate 160×110
- with metal connection for tap G $\frac{1}{2}$ "
- without angle valve
- with anchor plate
- PP outlet ϕ 40/50
- with testing plug and protection

size

$\frac{1}{2}$ " × ϕ 50

packaging

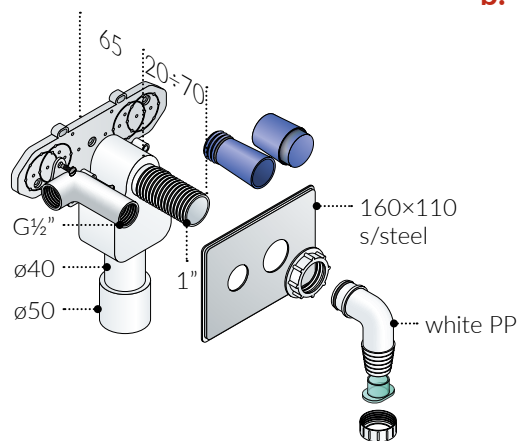
10 (box)

category

C11



50 mm 34 l/min 10 pcs.





2107

Dexa 1

PP in-wall trap for washing machine

a. 2107.112.8

- white PP hose connection
- white ABS plate 110×160
- PP outlet $\phi 40/50$
- with protection

size

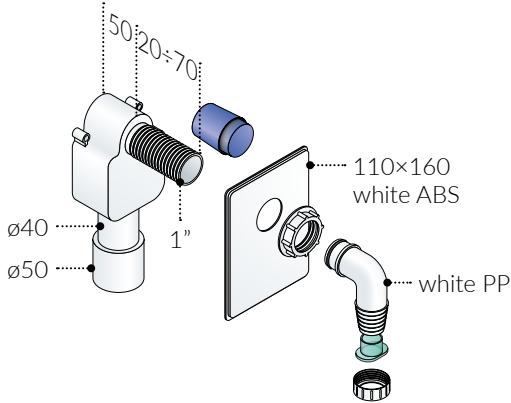
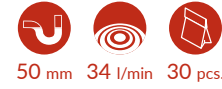
1" × $\phi 50$

packaging

30 - Q (bag)

category

C11



b. 2107.192.8

- white PP hose connection
- s/steel flange $\phi 80$
- PP outlet $\phi 40/50$
- with protection

size

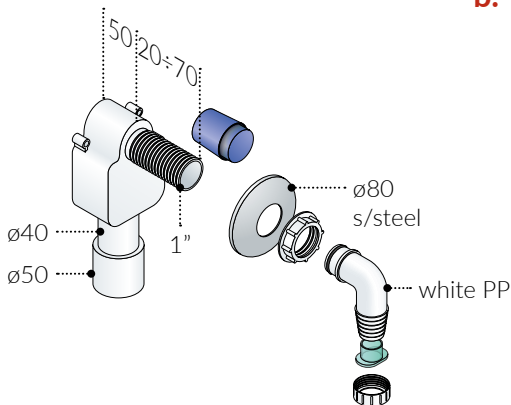
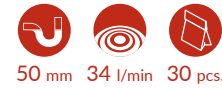
1" × $\phi 50$

packaging

30 - Q (bag)

category

C11

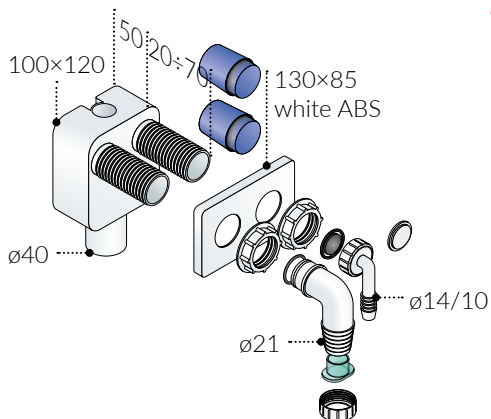


new

2207

Dexa 2

PP in-wall trap for washing machine and dryer or conditioning

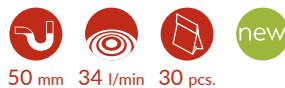


a. 2207.512.6

- white ABS plate 130x85
- sealable white PP hose connection for washing machine 1" x ø21
- sealable white PP hose connection for dryer or conditioning-drops 1" x ø10/14
- without recessed housing
- PP outlet ø40
- with protection

size	packaging	category
------	-----------	----------

1" x ø40	30 - Q (bag)	C11
----------	--------------	-----

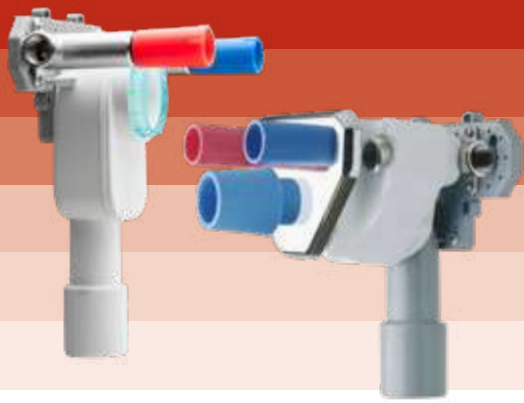


SPARE PARTS / CONNECTIONS

 Other models of hose connection for washing machine and dryer available
For more informations see page ***

*** NOTES**

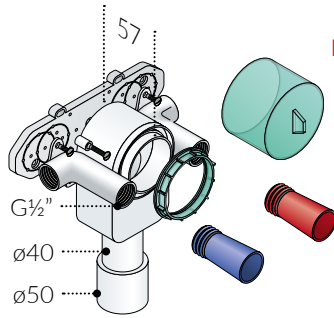




6060 + 6100

Escundido + Escundido box

PP in-wall trap and drainage pipe for washbasin



a. 6060.216.0

Escundido

- without inlet pipe
- with 2 metal connections for tap G $\frac{1}{2}$ "
- without angle valves
- with anchor plate
- PP outlet $\phi 40/50$
- removable trap for cleaning
- with testing plugs and protection

size

1 $\frac{1}{2}$ " x $\phi 50$

packaging

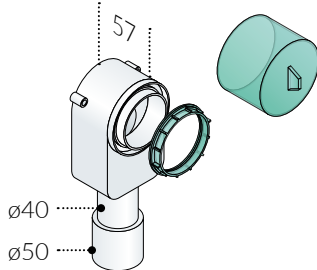
10 (box)

category

C11



50 mm 42 l/min 10 pcs.



b. 6060.000.0

- without inlet pipe
- without connections for tap
- without angle valves
- without anchor plate
- PP outlet $\phi 40/50$
- removable trap for cleaning
- with protection

size

1 $\frac{1}{2}$ " x $\phi 50$

packaging

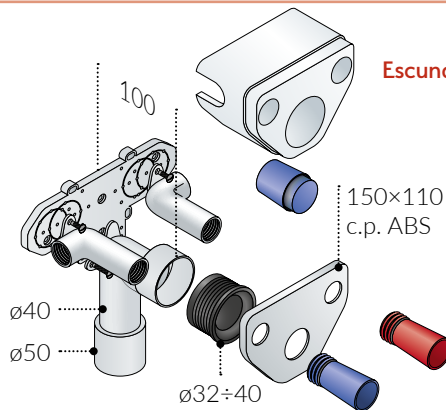
10 (bag)

category

C11



50 mm 42 l/min 10 pcs.



a. 6100.215.6

Escundido box

- without inlet pipe
- with joint $\phi 32 \div \phi 40$
- with 2 metal connections for tap G $\frac{1}{2}$ "
- without angle valves
- c.p. ABS plate 150x110
- with anchor plate
- PP outlet $\phi 40/50$
- with sound-dampened fixing bracket
- with testing plugs and protection

size

$\phi 32 \times \phi 50$

packaging

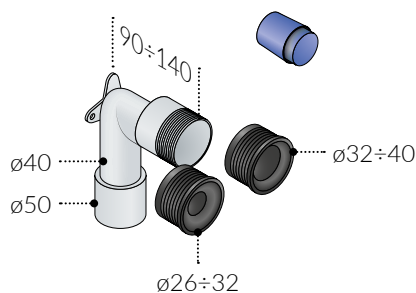
12 (box)

category

C11



12 pcs.



b. 6253.002.6

- without inlet pipe
- with joint $\phi 26 \div \phi 32$
- with joint $\phi 32 \div \phi 40$
- without connections for tap
- without angle valves
- without anchor plate
- PP outlet $\phi 40/50$
- with protection

size

$\phi 26 \times \phi 50$

packaging

10 (bag)

category

C11



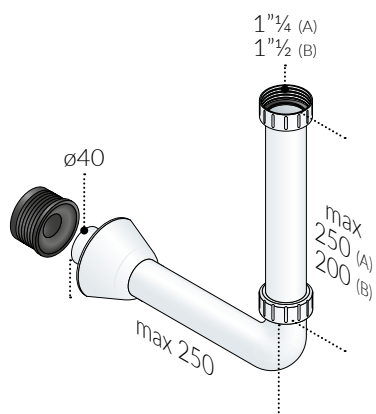
10 pcs.





NOTES / SIPHONING

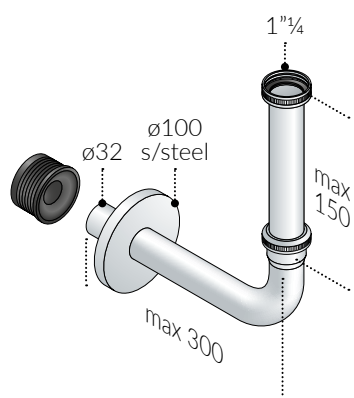




Drainage pipes has no siphoning and they must be combined with traditional traps in brass or plastic

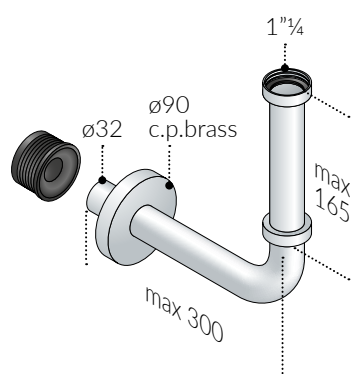




a. 137.031.5	size	packaging	category
<ul style="list-style-type: none"> - PP inlet pipe for Escundido - inlet H. 250 × 1"¼ - outlet L. 250 × 40 - with joint 32÷40 - PP flange 78 	1"¼ × 40	10 (bag)	C11
	 10 pcs.		

b. 137.031.6	size	packaging	category
<ul style="list-style-type: none"> - PP inlet pipe for Escundido - inlet H. 200 × 1"½ - outlet L. 250 × 40 - with joint 32÷40 - PP flange 78 	1"½ × 40	10 (bag)	C11
	 10 pcs.		



a. 137.032.5	size	packaging	category
<ul style="list-style-type: none"> - c.p. brass inlet pipe for Escundido - inlet H. 150 × 1"¼ - outlet L. 300 × 32 - with joint 32÷40 - s/steel flange 100 	1"¼ × 32	15 (box)	C11
	 15 pcs.		



a. 137.033.5	size	packaging	category
<ul style="list-style-type: none"> - c.p. brass inlet pipe for Escundido - inlet H. 165 × 1"¼ - outlet L. 300 × 32 - with joint 32÷40 - c.p. brass flange 90 	1"¼ × 32	15 (box)	C11
	 15 pcs.		

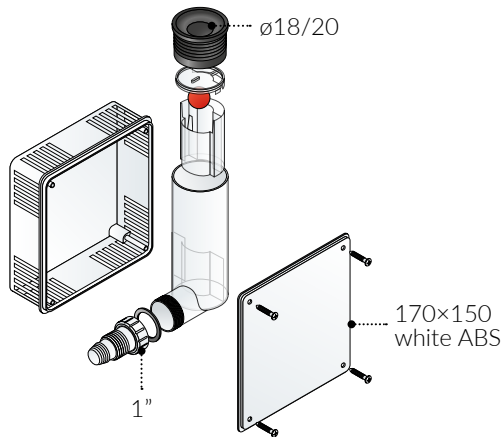




2370

Split

PP conditioning-drops trap



a. 2370.273.4

- with recessed housing for in-wall installation
- white ABS plate 170x150
- with joint $\varnothing 18 \div 20$
- removable trap
- straight outlet

size

$\varnothing 18/20$



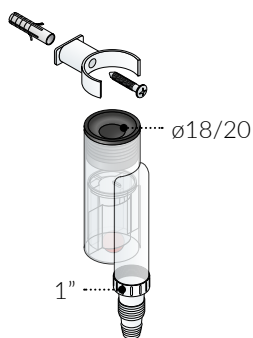
50 mm 15 pcs.

packaging

15 - W (bag)

category

C11



a. 2370.162.4

- with holder for external installation
- with joint $\varnothing 18 \div 20$
- removable trap
- straight outlet

size

$\varnothing 18/20$



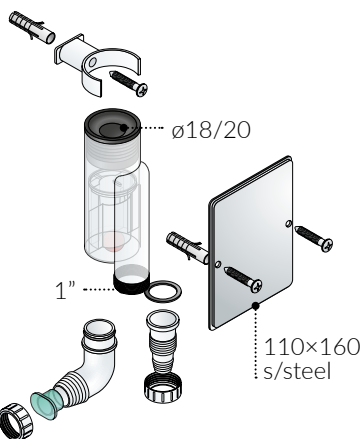
50 mm 30 pcs.

packaging

30 - W (bag)

category

C11



a. 2370.185.4

- with s/steel plate 110x160 for in-wall installation
- with holder
- with joint $\varnothing 18 \div 20$
- removable trap
- straight outlet

size

$\varnothing 18/20$



50 mm 30 pcs.

packaging

30 - W (bag)

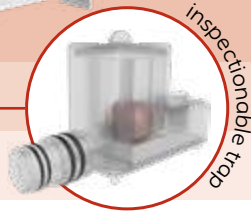
category

C11

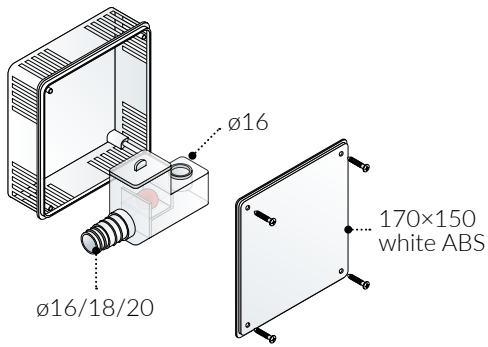


2350 + 2380

... PST recessed housing for conditioning



inspectionable trap



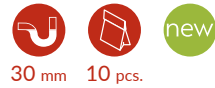
a. 2350.073.4

- 174x154x58
- with removable trap
- with fixing plates
- horizontal outlet $\phi 16/18/20$
- reversible right or left

size packaging category

174x154x58 10 (bag)

C11



NOTES / OUTLET

The outlet can be vertically modified using the elbow fitting 2389.700.3 available on the following page

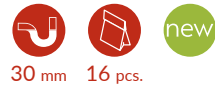
a. 2380.115.3

- 430x103x65
- with removable trap
- with fixing plates
- pipe with direct connection and connector $\phi 16$
- horizontal outlet $\phi 16/18/20$
- reversible right or left

size packaging category

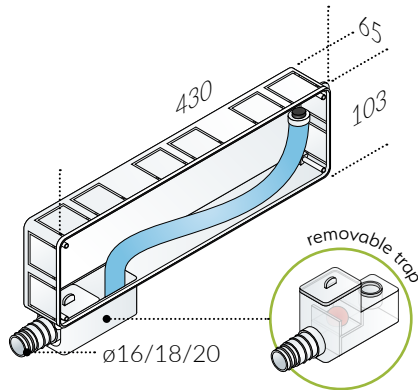
430x103x68 16 (bag)

C11



NOTES / ADVANTAGES

- total absence of the conveyor
- improved insulation of electrical cables
- eliminates thermal bridges causing wall stains
- eliminates potential condensation build-up leading to mold and bacteria



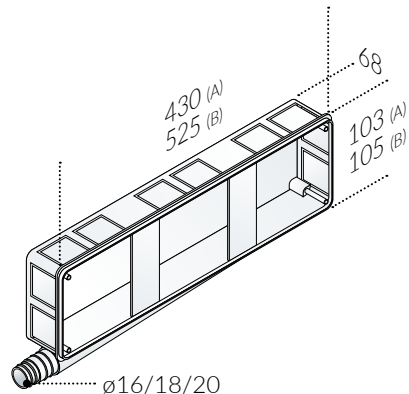
a. 2380.110.3

- 430x103x68
- without trap
- with fixing plates
- horizontal outlet $\phi 16/18/20$
- reversible right or left

size packaging category

430x103x68 24 (bag)

C11



b. 2380.120.3

- 525x105x68
- without trap
- with fixing plates
- horizontal outlet $\phi 16/18/20$
- reversible right or left

size packaging category

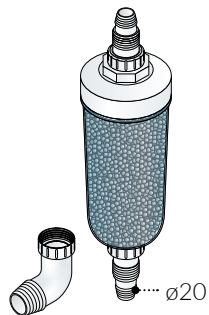
525x105x68 24 (bag)

C11

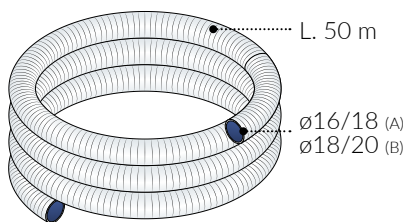


complementary

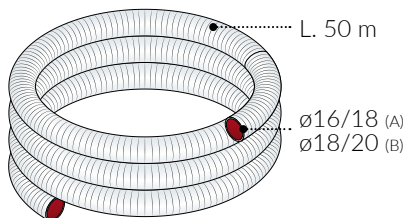
for conditioning



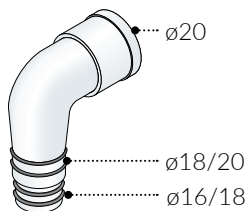
a.	2355.105.4	size	packaging	category
	<ul style="list-style-type: none"> - condensate neutralizer for condensing boilers - for boilers up to 35 kW - outlet ø20 	ø20	1 (bag)	C11
		1 pcs.		
b.	2355.999.0	size	packaging	category
	<ul style="list-style-type: none"> - recharge for 2355.105.4 		1 (bag)	C11
		1 pcs.		



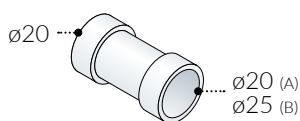
a.	2389.330.2	size	packaging	category
	<ul style="list-style-type: none"> - hose for conditioning-drops - L. 50 m - ø16/18 	ø16/18	1 (bag)	C11
		1 pcs.		
b.	2389.330.3	size	packaging	category
	<ul style="list-style-type: none"> - hose for conditioning-drops - L. 50 m - ø18/20 	ø18/20	1 (bag)	C11
		1 pcs.		



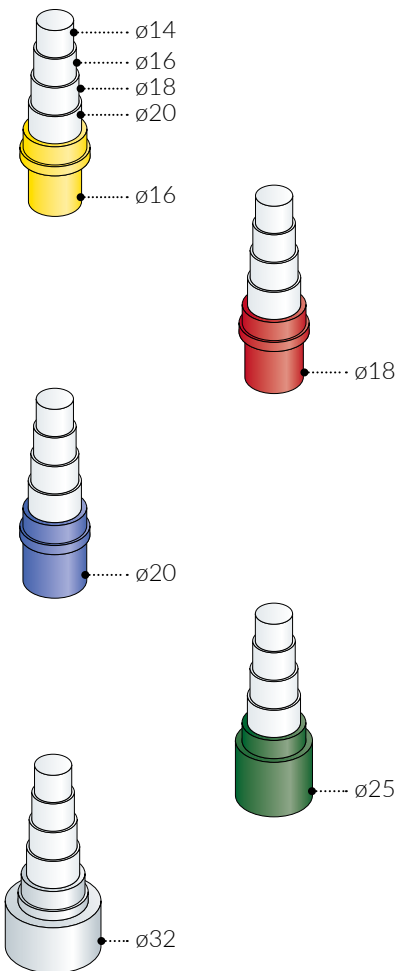
a.	2389.335.2	size	packaging	category
	<ul style="list-style-type: none"> - hose for conditioning-drops - for condensing boilers - L. 50 m - ø16/18 	ø16/18	1 (bag)	C11
		1 pcs.		
b.	2389.335.3	size	packaging	category
	<ul style="list-style-type: none"> - hose for conditioning-drops - for condensing boilers - L. 50 m - ø18/20 	ø18/20	1 (bag)	C11
		1 pcs.		



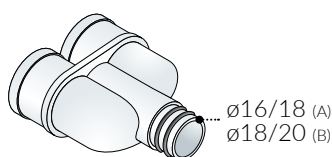
a.	2389.700.3	size	packaging	category
	<ul style="list-style-type: none"> - bended outlet for conditioning-drops - ø16/18/20 - for recessed housing (art. 2380) 	ø16/20	48 (bag)	C11
		48 pcs.		



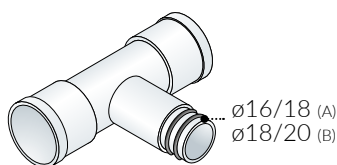
a.	2389.400.3	size	packaging	category
	<ul style="list-style-type: none"> - connecting sleeve for conditioning-drops - flexible/rigid - ø20/20 	ø20/20	30 (bag)	C11
		30 pcs.		
b.	2389.400.4	size	packaging	category
	<ul style="list-style-type: none"> - connecting sleeve for conditioning-drops - flexible/rigid - ø20/25 	ø20/25	30 (bag)	C11
		30 pcs.		



	size	packaging	category
a. 2389.450.1	ø16	10 (bag)	C11
- rigid/flexible adapter for conditioning-drops ø16	new		
- flexible ø14/16/18/20	10 pcs.		
- rigid ø16			
b. 2389.450.2	ø18	10 (bag)	C11
- rigid/flexible adapter for conditioning-drops ø16	new		
- flexible ø14/16/18/20	10 pcs.		
- rigid ø18			
c. 2389.450.3	ø20	10 (bag)	C11
- rigid/flexible adapter for conditioning-drops ø16	new		
- flexible ø14/16/18/20	10 pcs.		
- rigid ø20			
d. 2389.450.4	ø25	10 (bag)	C11
- rigid/flexible adapter for conditioning-drops ø16	new		
- flexible ø14/16/18/20	10 pcs.		
- rigid ø25			
e. 2389.450.5	ø32	10 (bag)	C11
- rigid/flexible adapter for conditioning-drops ø16	new		
- flexible ø14/16/18/20	10 pcs.		
- rigid ø32			



	size	packaging	category
a. 2389.500.2	ø16/18	25 (bag)	C11
- Y shaped 3 way junction for conditioning-drops			
- ø16/18	25 pcs.		
b. 2389.500.3	ø18/20	25 (bag)	C11
- Y shaped 3 way junction for conditioning-drops			
- ø18/20	25 pcs.		



	size	packaging	category
a. 2389.600.2	ø16/18	25 (bag)	C11
- T shaped 3 way junction for conditioning-drops			
- ø16/18	25 pcs.		
b. 2389.600.3	ø18/20	25 (bag)	C11
- T shaped 3 way junction for conditioning-drops			
- ø18/20	25 pcs.		



5130 Funnel

PP convector-drops funnel

a. 5130.130.6

size

packaging

category

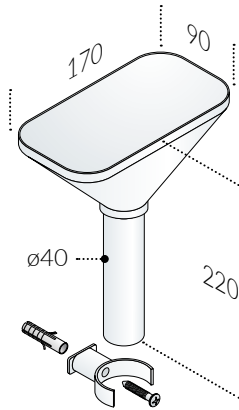
- without trap
- with holder
- H. 220
- outlet $\phi 40$

170×90 × $\phi 40$ 1 - X (bag)

C10



1 pcs.



a. 5130.430.6

size

packaging

category

- with trap
- with holder
- H. 220
- outlet L. 300 × $\phi 40$

170×90 × $\phi 40$ 1 - X (bag)

C10



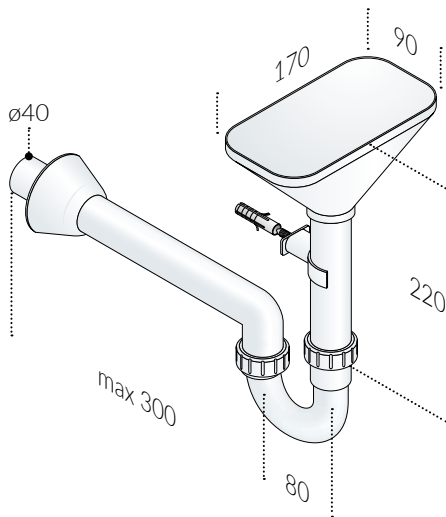
60 mm



65 l/min

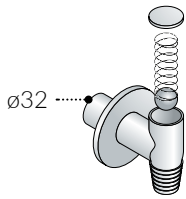


1 pcs.

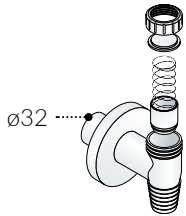


washing machine valve

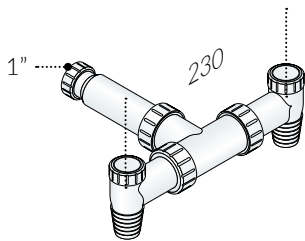
and accessories



a.	109.450.5	size	packaging	category
-	washing-machine valve	ø32	6 - X (box)	C11
-	in brass	 6 pcs.		
-	single connection			
-	dry trap			
-	outlet ø32			

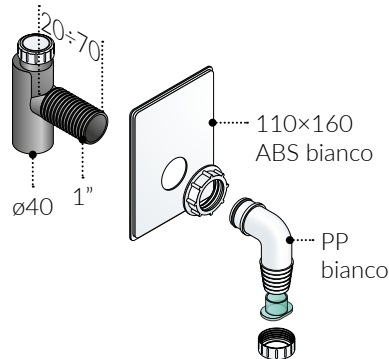


b.	2108.180.5	size	packaging	category
-	washing-machine valve	ø32	10 - X (bag)	C11
-	in PP	 10 pcs.		
-	single connection			
-	dry trap			
-	outlet ø32			



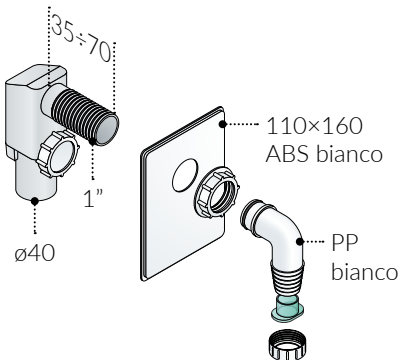
c.	2108.600.4	size	packaging	category
-	washing-machine valve	1"	10 - X (bag)	C11
-	in PP	 10 pcs.		
-	double connection			
-	dry trap			
-	outlet 1"			

Spring siphoning device working in every position

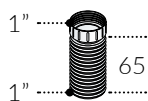


a.	2110.110.6	size	packaging	category
-	PEHD washing-machine valve	1" x ø40	30 - W (bag)	C11
-	with white ABS plate 110x160 for in-wall installation	 30 pcs.		
-	dry trap			
-	white PP hose connection			
-	outlet ø40			

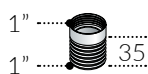
PEHD outlet to be soldered with PE pipes



a.	2113.110.6	size	packaging	category
-	PVC washing-machine valve	1" x ø40	30 - W (bag)	C11
-	with white ABS plate 110x160 for in-wall installation	 50 mm	 30 pcs.	
-	water trap			
-	white PP hose connection			
-	outlet ø40			



a.	2111.260.4	size	packaging	category
-	extension	1" x 1"	10 - X (bag)	C10
-	in PP	 10 pcs.		
-	1"			



b.	111.260.4	size	packaging	category
-	extension	1" x 1"	10 - X (bag)	C08
-	in brass	 10 pcs.		
-	1"			





Accessories

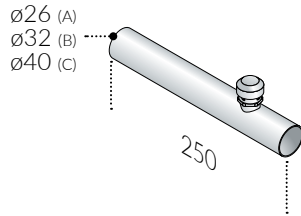
- aerators -
- extendible pipes -
- straight pipes -
- bent and flexible pipes -
- floor pipes -
- flanged pipes -
- extensions and connections -
- reductions and tailpieces -
- angle valves -
- mixer-hose connections -
- plugs for washbasin + sink wastes -
- gaskets for traps -
- nuts -
- gaskets for wastes -
- wall flanges -
- spouts+ aerators -
- accessories for sink -
- accessories for shower tray wastes -
- accessories for bathtub wastes -
- accessories for shower channels -
- accessories for thin bed waterproofing -
- accessories for floor drains -
- accessories for in-wall traps -
- hose connections -
- accessories for wc -
- traps for urinals -

07

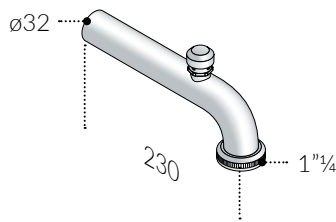


aerators

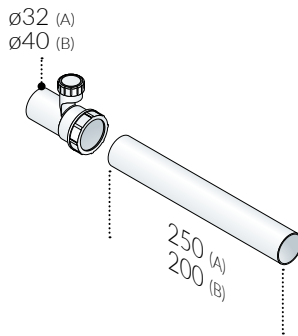
for traps outlet pipes and air admittance valves



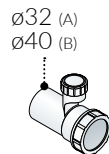
a.	159.250.4	size	packaging	category
	Chrome plated brass straight outlet pipe for traps	250 × ø26	10 - X (box)	C08
	- with aerator			
	- L. 250 mm			
	- ø26			
b.	159.250.5	size	packaging	category
	Chrome plated brass straight outlet pipe for traps	250 × ø32	10 - X (box)	C08
	- ø32			
c.	159.250.6	size	packaging	category
	Chrome plated brass straight outlet pipe for traps	250 × ø40	5 - X (box)	C08
	- ø40			



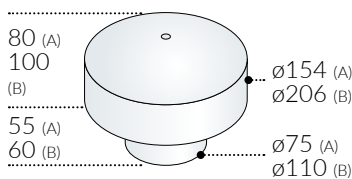
a.	187.259.5	size	packaging	category
	Chrome plated brass bent outlet pipe for traps	230 × ø32	10 - X (box)	C08
	- with aerator			
	- L. 230 mm			
	- 1 1/4 × ø32			



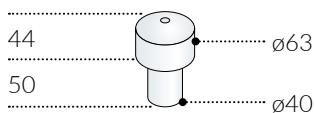
a.	2159.250.5	size	packaging	category
	White PP extension for traps outlet pipe	ø32	10 - X (bag)	C10
	- with aerator	new		
	- with straight PP pipe L. 250			
	- ø32			
b.	2159.250.6	size	packaging	category
	White PP extension for traps outlet pipe	ø40	10 - X (bag)	C10
	- with straight PP pipe L. 200	new		
	- ø40			



a.	2159.050.5	size	packaging	category
	White PP extension for traps outlet pipe	ø32	10 - X - 1 kg	C10
	- with aerator			
	- without straight pipe			
	- ø32			
b.	2159.050.6	size	packaging	category
	White PP extension for traps outlet pipe	ø40	10 - X - 1 kg	C10
	- ø40			



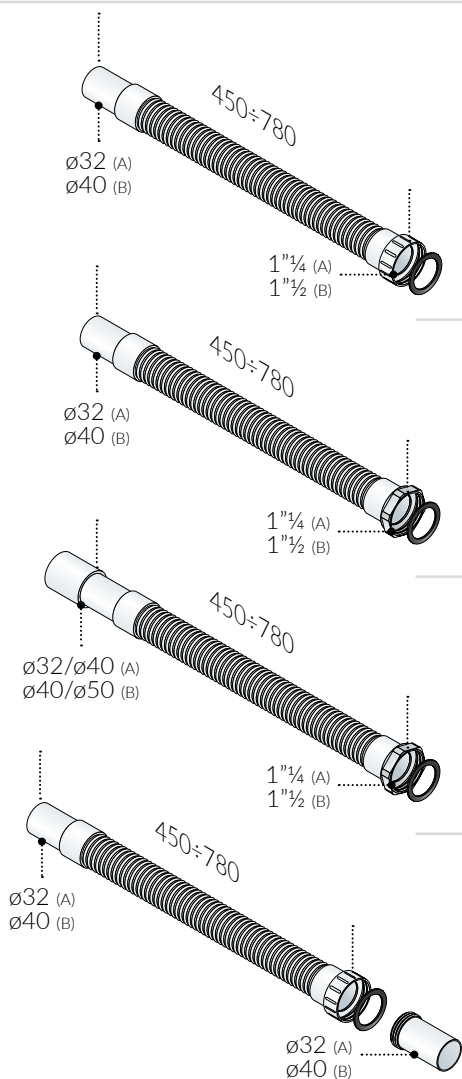
a.	2070.100.9	size	packaging	category
	ABS air admittance valve for venting system	ø75 × 80	1 (box)	C10
	- for primary air admittance			
	- ø75 × H. 80 mm			
b.	2070.100.0	size	packaging	category
	ABS air admittance valve for venting system	ø110 × 100	1 (box)	C10
	- ø110 × H. 100 mm			



a.	2070.100.6	size	packaging	category
	ABS air admittance valve for venting system	ø40 × 44	1 (box)	C10
	- for secondary air admittance			
	- ø40 × H. 44 mm			

Smart

extendible pipes



a.	485.906.5	size	packaging	category
	PP extendible pipe	1 1/4 × ø32	30 - T (bag)	C10
	- 450÷780			
	- PP nut			
	- 1 1/4 × ø32			

b.	485.906.6	1 1/2 × ø40	30 - T (bag)	C10
	- 1 1/2 × ø40			

a.	485.903.5	1 1/4 × ø32	30 - T (bag)	C10
	- c.p. metal nut			
	- 1 1/4 × ø32			

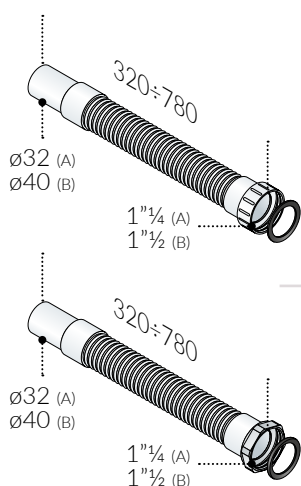
b.	485.903.6	1 1/2 × ø40	30 - T (bag)	C10
	- 1 1/2 × ø40			

a.	485.993.6	1 1/4 × ø32/40	30 - T (bag)	C10
	- c.p. metal nut			
	- double diameter outlet			
	- 1 1/4 × ø32/40			

b.	485.993.8	1 1/2 × ø40/50	30 - T (bag)	C10
	- 1 1/2 × ø40/50			

a.	485.905.5	ø32 × ø32	30 - T (bag)	C10
	- PP nut with tailpiece			
	- ø32 × ø32			

b.	485.905.6	ø40 × ø40	30 - T (bag)	C10
	- ø40 × ø40			



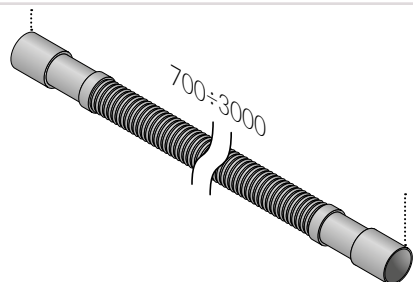
a.	585.906.5	size	packaging	category
	PP extendible pipe	1 1/4 × ø32	30 - T (bag)	C10
	- 320÷780			
	- PP nut			
	- 1 1/4 × ø32			

b.	585.906.6	1 1/2 × ø40	30 - T (bag)	C10
	- 1 1/2 × ø40			

a.	585.903.5	1 1/4 × ø32	30 - T (bag)	C10
	- c.p. metal nut			
	- 1 1/4 × ø32			

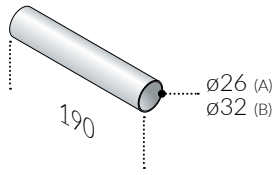
b.	585.903.6	1 1/2 × ø40	30 - T (bag)	C10
	- 1 1/2 × ø40			

a.	485.309.6	size	packaging	category
	Extendible pipe	700÷3000	30 - Q (bag)	C10
	- for washing-machine			
	- 700÷3000			

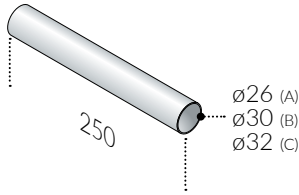


straight pipes

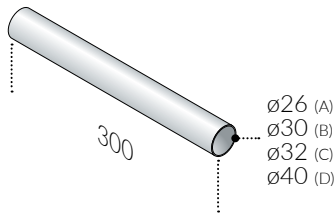
in chrome plated brass and plastic



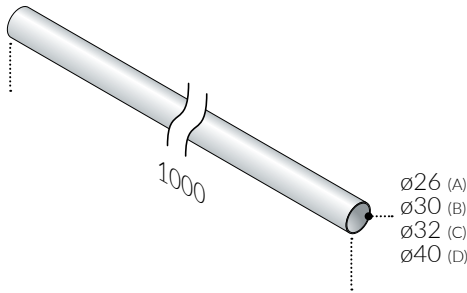
a.	78.190.4	size	packaging	category
	C.p. brass straight pipe	190 × ø26	10 - X (bag)	C08
	- L. 190			
	- ø26			
b.	78.190.5	190 × ø32	10 - X (bag)	C08
	- ø32			



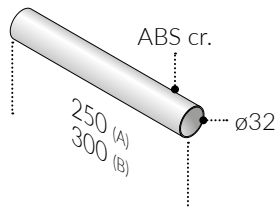
a.	78.250.4	250 × ø26	10 - X (bag)	C08
	- L. 250			
	- ø26			
b.	78.254.5	250 × ø30	10 - X (bag)	C08
	- ø30			
c.	78.250.5	250 × ø32	10 - X (bag)	C08
	- ø32			



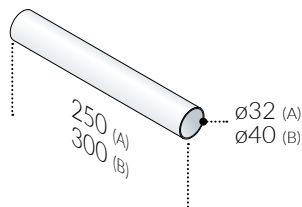
a.	78.300.4	300 × ø26	10 - X (bag)	C08
	- L. 300			
	- ø26			
b.	78.304.5	300 × ø30	10 - X (bag)	C08
	- ø30			
c.	78.300.5	300 × ø32	10 - X (bag)	C08
	- ø32			
d.	78.300.6	300 × ø40	10 - X (bag)	C08
	- ø40			



a.	78.000.4	1000 × ø26	10 - X (bag)	C08
	- L. 1000			
	- ø26			
b.	78.004.5	1000 × ø30	10 - (bag)	C08
	- ø30			
c.	78.000.5	1000 × ø32	10 - X (bag)	C08
	- ø32			
d.	78.000.6	1000 × ø40	10 - X (bag)	C08
	- ø40			



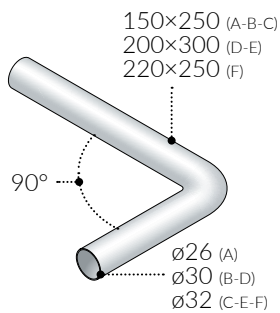
a.	78.250.5.H	size	packaging	category
	C.p. ABS straight pipe	250 × ø32	10 - X (bag)	C10
	- L. 250			
	- ø32	new		
b.	78.300.5.H	300 × ø32	10 - X (bag)	C10
	- L. 300	new		



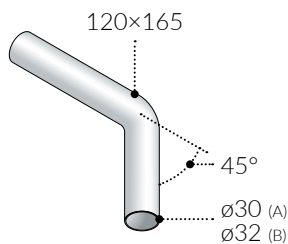
a.	278.250.5	size	packaging	category
	White PP straight pipe	250 × ø32	10 - X (bag)	C10
	- L. 250			
	- ø32			
b.	278.300.6	300 × ø40	10 - X (bag)	C10
	- L. 300			
	- ø40			

bent and flexible pipes

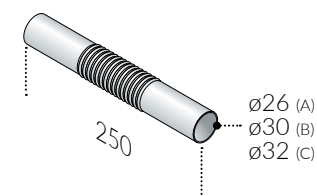
in chrome plated brass



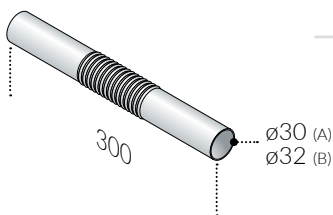
a.	79.200.4	size	packaging	category
	C.p. brass bent pipe 90°	150x250xø26	50 - X (bag)	C08
	- 150x250			
	- ø26			
b.	79.204.5	150x250xø30	50 - X (bag)	C08
	- ø30			
c.	79.200.5	150x250xø32	50 - X (bag)	C08
	- ø32			
d.	79.364.5	200x300xø30	50 - X (bag)	C08
	- 200x300			
	- ø30			
e.	79.360.5	200x300xø32	50 - X (bag)	C08
	- ø32			
f.	79.410.5	220x250xø32	50 - X (bag)	C08
	- 220x250			
	- ø32			



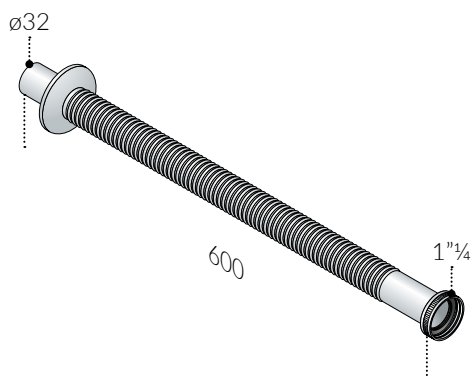
a.	81.254.5	size	packaging	category
	C.p. brass bent pipe 45°	250 x ø30	10 - X (bag)	C08
	- L. 250			
	- ø30			
b.	81.250.5	250 x ø32	10 - X (bag)	C08
	- ø32			



a.	85.250.4	size	packaging	category
	C.p. brass flexible pipe	250 x ø26	10 - X (bag)	C08
	- L. 250			
	- ø26			
b.	85.254.5	250 x ø30	10 - X (bag)	C08
	- ø30			
c.	85.250.5	250 x ø32	10 - X (bag)	C08
	- ø32			



a.	85.304.5	300 x ø30	10 - X (bag)	C08
	- L. 300			
	- ø30			
b.	85.300.5	300 x ø32	10 - X (bag)	C08
	- ø32			

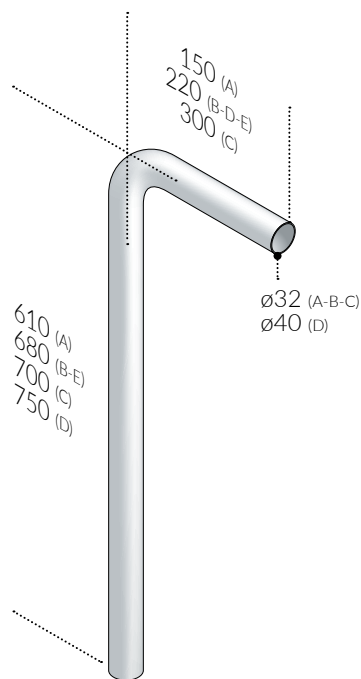


a.	385.600.5.S	size	packaging	category
	S/steel flexible pipe	1 1/4 x ø32	10 - X (bag)	C08
	- L. 600			
	- inlet 1 1/4			
	- outlet ø32			
	- s/steel flange ø65			

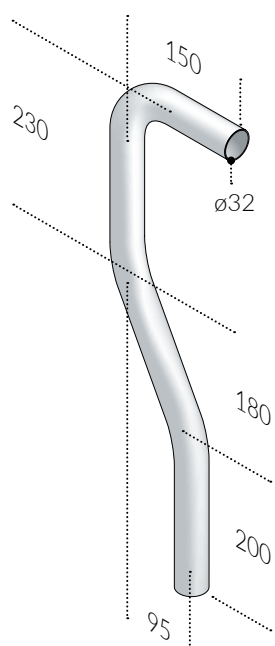
Stainless steel

floor pipes

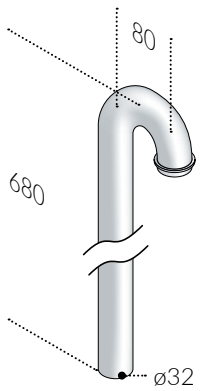
in chrome plated brass and plastic



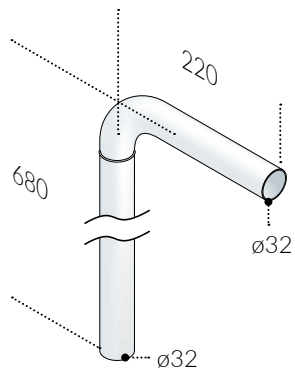
a.	79.320.5	size	packaging	category
	C.p. brass floor pipe 90°	150×610×ø32	50 - X (bag)	C08
	- 150×610			
	- ø32			
b.	79.490.5	size	packaging	category
	C.p. brass floor pipe 90°	220×680×ø32	40 - X (bag)	C08
	- 220×680			
	- ø32			
c.	79.700.5	size	packaging	category
	C.p. brass floor pipe 90°	300×700×ø32	50 - X (bag)	C08
	- 300×700			
	- ø32			
d.	79.560.5	size	packaging	category
	C.p. brass floor pipe 90°	220×750×ø32	50 - X (bag)	C08
	- 220×750			
	- ø32	new		
e.	79.490.6	size	packaging	category
	C.p. brass floor pipe 90°	220×680×ø40	40 - X (bag)	C08
	- 220×680			
	- ø40			



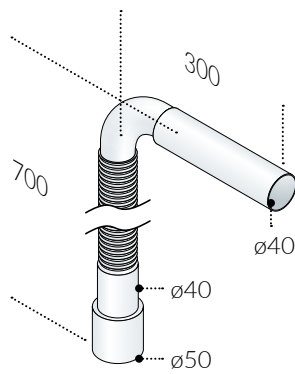
a.	79.330.5	size	packaging	category
	C.p. brass floor pipe 90°	150×610×ø32	40 - X (bag)	C08
	- eccentric			
	- 150×610			
	- ø32			



a.	180.680.5	size	packaging	category
	C.p. brass floor pipe 180°	80×680×ø32	30 - X (bag)	C08
	- 80×680			
	- ø32			



a.	279.490.5	size	packaging	category
	PP floor pipe 90°	220×680×ø32	40 - X (bag)	C10
	- 220×680 rigid			
	- inlet ø32			
	- outlet ø32			

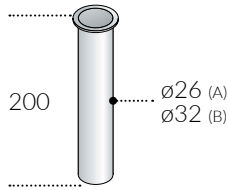


b.	279.509.6	size	packaging	category
	PP floor pipe 90°	300×700×ø40	20 - X (bag)	C10
	- 300×700 flexible			
	- inlet ø40			
	- outlet ø40/50			



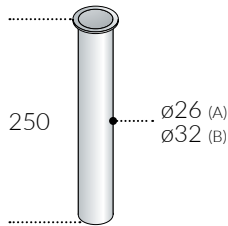
flanged pipes

in chrome plated brass and plastic



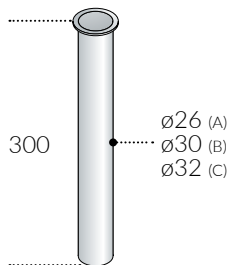
a.	80.200.4	size	packaging	category
	C.p. brass flanged pipe	200 × ø26	10 - X (bag)	C08
	- without nut nor gasket			
	- L. 200			
	- ø26			

b.	80.200.5	200 × ø32	10 - X (bag)	C08
	- ø32			



a.	80.250.4	250 × ø26	10 - X (bag)	C08
	- L. 250			
	- ø26			

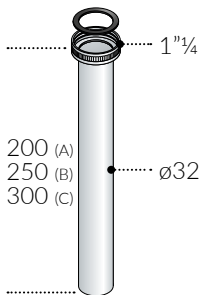
b.	80.250.5	250 × ø32	10 - X (bag)	C08
	- ø32			



a.	80.300.4	300 × ø26	10 - X (bag)	C08
	- L. 300			
	- ø26			

b.	80.304.5	300 × ø30	10 - X (bag)	C08
	- ø30			

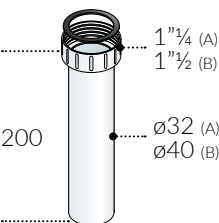
c.	80.300.5	300 × ø32	10 - X (bag)	C08
	- ø32			



a.	86.196.5	size	packaging	category
	C.p. brass flanged pipe	200 × ø32	10 - X (bag)	C08
	- with c.p. brass nut and gasket			
	- L. 200			
	- 1"¼ × ø32			

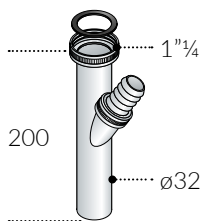
b.	86.256.5	250 × ø32	10 - X (bag)	C08
	- L. 250			

c.	86.306.5	300 × ø32	10 - X (bag)	C08
	- L. 300			

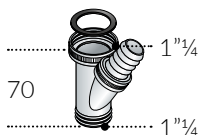


a.	286.206.5	size	packaging	category
	PP flanged pipe	200 × ø32	10 - X (bag)	C10
	- with PP nut and gasket			
	- L. 200			
	- 1"¼ × ø32			

b.	286.206.6	200 × ø40	10 - X (bag)	C10
	- 1"½ × ø40			

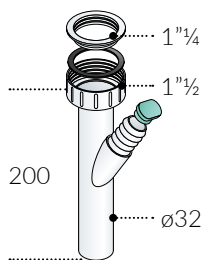


a.	97.205.5	size	packaging	category
	C.p. brass flanged pipe	200 × ø32	10 - X (bag)	C08
	- with hose connection			
	- with c.p. brass nut and gasket			
	- L. 200			
	- 1 1/4 × ø32			

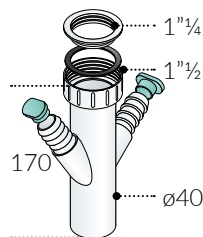


a.	97.087.5	size	packaging	category
	97.087.5	70 × 1 1/4	10 - X (bag)	C08
	- L. 70			
	- 1 1/4 × 1 1/4			

To install between waste and traps



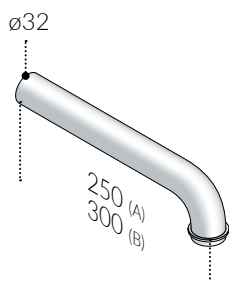
a.	297.219.5	size	packaging	category
	PP flanged pipe	200 × ø32	10 - X (bag)	C10
	- with 1 hose connection			
	- with PP nut and gasket			
	- L. 200			
	- 1 1/2 × ø32			
	- with reduction 1 1/2 - 1 1/4			



a.	297.116.6	size	packaging	category
	297.116.6	170 × ø40	10 - X (bag)	C10
	- with 2 hose connections			
	- L. 170			
	- 1 1/2 × ø40			
	- with reduction 1 1/2 - 1 1/4			

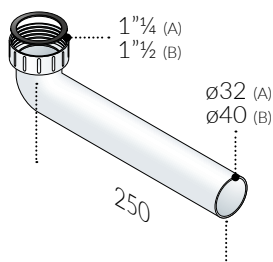
b.	297.176.6	size	packaging	category
	297.176.6	170 × ø40	10 - X (bag)	C10
	- without reduction			

new



a.	187.250.5	size	packaging	category
	187.250.5	250 × ø32	10 - X (bag)	C08
	C.p. brass flanged bent pipe (outlet pipe for traps)			
	- L. 250 mm			
	- 1 1/4 × ø32			

b.	187.300.5	size	packaging	category
	187.300.5	300 × ø32	10 - X (bag)	C08
	- L. 300 mm			

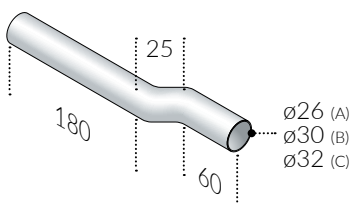


a.	287.257.5	size	packaging	category
	287.257.5	1 1/4 × ø32	10 - X (bag)	C10
	PP flanged bent pipe (inlet pipe for traps)			
	- with PP nut and gasket			
	- L. 250 mm			
	- 1 1/4 × ø32			

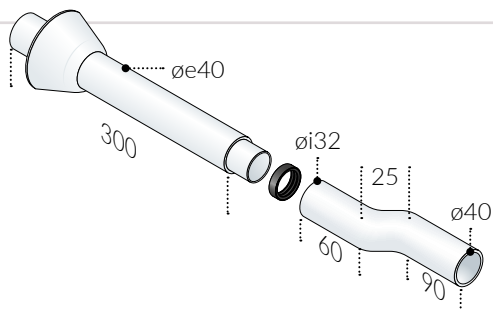
b.	287.257.6	size	packaging	category
	287.257.6	1 1/2 × ø40	10 - X (bag)	C10
	- 1 1/2 × ø40			

extensions and connections

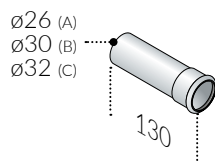
in chrome plated brass and plastic



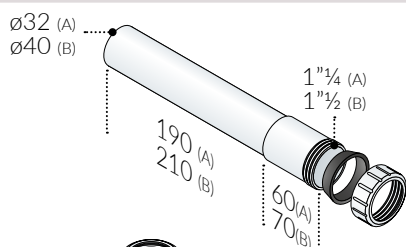
a.	92.300.4	size	packaging	category
	C.p. brass eccentric pipe	300 × ø26	10 - X (bag)	C08
	- L. 300			
	- ø26			
b.	92.304.5	300 × ø30	10 - X (bag)	C08
	- ø30			
c.	92.300.5	300 × ø32	10 - X (bag)	C08
	- ø32			



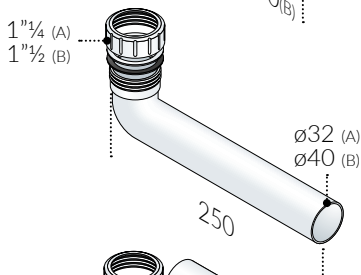
a.	292.155.5	size	packaging	category
	PP eccentric pipe	200 × ø32/40	10 - X (bag)	C10
	- L. 200 mm			
	- ø32 × ø40			
b.	292.455.5	500 × ø32/40	10 - X (bag)	C10
	- with ABS extension L. 300			



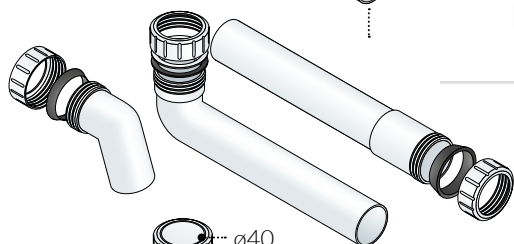
a.	100.130.4	size	packaging	category
	C.p. brass extension tube	130 × ø26	10 - X (bag)	C08
	- with o-ring			
	- ø26			
b.	100.134.5	130 × ø30	10 - X (bag)	C08
	- ø30			
c.	100.130.5	130 × ø32	10 - X (bag)	C08
	- ø32			



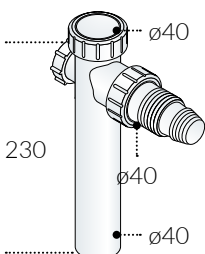
a.	2100.322.5	size	packaging	category
	PP extension tube	250 × ø32	10 - X (bag)	C10
	- with nut and gasket			
	- L. 250 mm			
	- 1"¼ × ø32			
b.	2100.322.6	280 × ø40	10 - X (bag)	C10
	- 1"½ × ø40			



a.	2104.322.5	size	packaging	category
	PP extension tube 90°	1"¼ × ø32	10 - X (bag)	C10
	- with nut and gasket			
	- L. 250 mm			
	- 1"¼ × ø32			
b.	2104.322.6	1"½ × ø40	10 - X (bag)	C10
	- 1"½ × ø40			

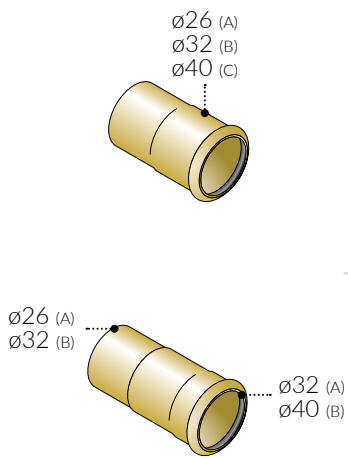


a.	2103.302.6	size	packaging	category
	PP connections kit	1"½ × ø40	10 - X (bag)	C10
	- extension L. 280 (2100.322.6)			
	- extension 90° L. 250			
	- extension 45° L. 70			



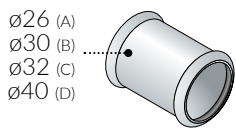
a.	2103.322.6	size	packaging	category
	PP bivalent extension	230 × ø40	10 - X (bag)	C10
	- with 1 hose connection			
	- with closing cap			
	- L. 230			

* Can also be used as a non-trapped washing machine connection



a.	101.170.4.0	size	packaging	category
	Raw brass connection	ø26	10 - X (bag)	C08
	- with o-ring			
	- ø26			
b.	101.170.5.0	ø32	10 - X (bag)	C08
	- ø32			
c.	101.170.6.0	ø40	10 - X (bag)	C08
	- ø40			

a.	101.175.5.0	ø32 × ø26	10 - X (bag)	C08
	- with diameter reduction			
	- ø32 × ø26			
b.	101.175.6.0	ø40 × ø32	10 - X (bag)	C08
	- ø40 × ø32			

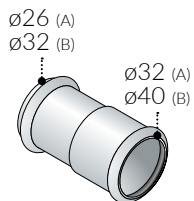


a.	102.160.4	size	packaging	category
	C.p. brass connection	ø26	10 - X (bag)	C08
	- with 2 o-rings			
	- ø26			

b.	102.164.5	ø30	10 - X (bag)	C08
	- ø30			

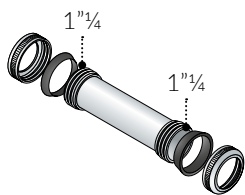
c.	102.160.5	ø32	10 - X (bag)	C08
	- ø32			

d.	102.160.6	ø40	10 - X (bag)	C08
	- ø40			

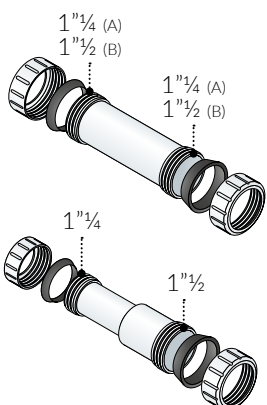


a.	102.165.5	ø32 × ø26	10 - X (bag)	C08
	- with diameter reduction			
	- ø32 × ø26			

b.	102.165.6	ø40 × ø32	10 - X (bag)	C08
	- ø40 × ø32			



a.	102.480.5	size	packaging	category
	C.p. brass threaded connection	1 1/4 × 1 1/4	10 - X (bag)	C08
	- with nuts and gaskets			
	- 1 1/4 × 1 1/4			



a.	2102.480.5	size	packaging	category
	PP threaded connection	1 1/4 × 1 1/4	10 - X (bag)	C10
	- with nuts and gaskets			
	- 1 1/4 × 1 1/4			

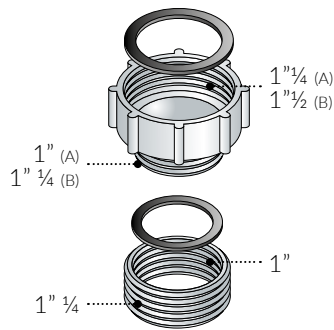
b.	2102.480.6	1 1/2 × 1 1/2	10 - X (bag)	C10
	- 1 1/2 × 1 1/2			

a.	2102.485.6	1 1/2 × 1 1/4	10 - X (bag)	C10
	- with diameter reduction			
	- 1 1/2 × 1 1/4			

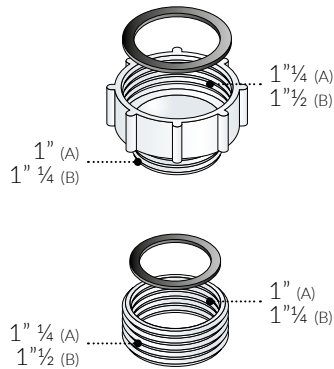


reductions and tailpieces

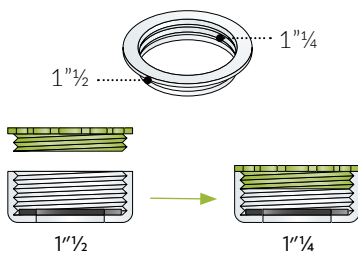
in chrome plated brass and plastic



	size	packaging	category
a. 52.006.5 C.p. brass reduction - 1"¼ × 1"	1"¼ × 1"	10 - X (bag)	C08
b. 52.006.6 - 1"½ × 1"¼	1"½ × 1"¼	10 - X (bag)	C08
c. 52.005.5 - 1" × 1"¼	1" × 1"¼	10 - X (bag)	C08



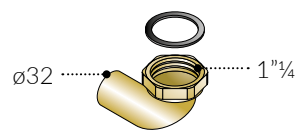
	size	packaging	category
a. 252.006.5 PP reduction - 1"¼ × 1"	1"¼ × 1"	10 - X (bag)	C10
b. 252.006.6 - 1"½ × 1"¼	1"½ × 1"¼	10 - X (bag)	C10
a. 252.005.5 - 1" × 1"¼	1" × 1"¼	10 - X (bag)	C10
b. 252.005.6 - 1"¼ × 1"½	1"¼ × 1"½	10 - X (bag)	C10



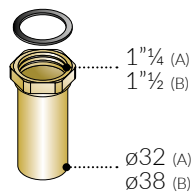
	size	packaging	category
a. 252.905.6 PP invisible reduction - 1"¼ × 1"½	1"¼ × 1"½	10 - X (bag)	C10

✿ It can be used with gasket supplied with the nut

✿ Check compatibility with other manufacturers' nuts



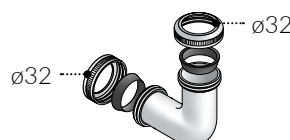
	size	packaging	category
a. 50.210.5.0 Raw brass bent tailpiece - brass nut - 1"¼ × ø32	1"¼ × ø32	10 - X (bag)	C08



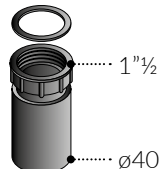
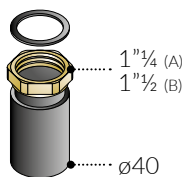
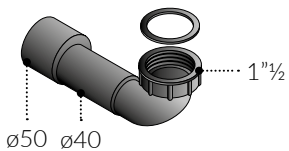
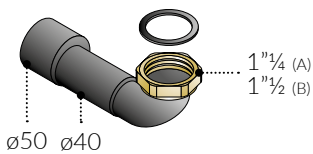
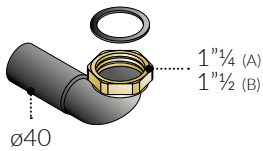
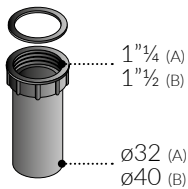
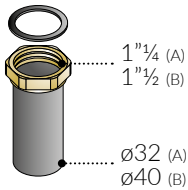
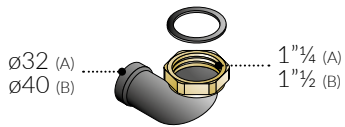
	size	packaging	category
a. 51.250.5.0 Raw brass straight tailpiece - brass nut - 1"¼ × ø32	1"¼ × ø32	10 - X (bag)	C08
b. 51.250.6.0 - 1"½ × ø38	1"½ × ø38	10 - X (bag)	C08



	size	packaging	category
a. 52.517.5 C.p. brass 90° bent connection - 1"¼ × ø32	1"¼ × ø32	10 - X (bag)	C08



	size	packaging	category
a. 52.417.5 C.p. brass 90° bent connection - ø32 × ø32	ø32 × ø32	10 - X (bag)	C08



a.	250.211.5	size	packaging	category
	PVC bent tailpiece	1 1/4 x ø32	10 - X (bag)	C10
	- brass nut			
	- 1 1/4 x ø32			

b.	250.211.6	1 1/2 x ø40	10 - X (bag)	C10
	- 1 1/2 x ø40			

a.	250.311.6	1 1/2 x ø40	10 - X (bag)	C10
	- PP nut			
	- 1 1/2 x ø40			

Outlet can be directly glued with PVC pipes

a.	251.241.5	size	packaging	category
	PVC straight tailpiece	1 1/4 x ø32	10 - X (bag)	C10
	- brass nut			
	- 1 1/4 x ø32			

b.	251.241.6	1 1/2 x ø40	10 - X (bag)	C10
	- 1 1/2 x ø40			

a.	251.341.5	1 1/4 x ø32	10 - X (bag)	C10
	- PP nut			
	- 1 1/4 x ø32			

b.	251.341.6	1 1/2 x ø40	10 - X (bag)	C10
	- 1 1/2 x ø40			

Outlet can be directly glued with PVC pipes

a.	250.213.5	size	packaging	category
	PEHD bent tailpiece	1 1/4 x ø40	10 - X (bag)	C10
	- brass nut			
	- 1 1/4 x ø40			

b.	250.213.6	1 1/2 x ø40	10 - X (bag)	C10
	- 1 1/2 x ø40			

a.	250.218.5	1 1/4 x ø40/50	10 - X (bag)	C10
	- 1 1/4 x ø40/50			

b.	250.218.6	1 1/2 x ø40/50	10 - X (bag)	C10
	- 1 1/2 x ø40/50			

a.	250.313.6	1 1/2 x ø40	10 - X (bag)	C10
	- PP nut			
	- 1 1/2 x ø40			

b.	250.318.6	1 1/2 x ø40/50	10 - X (bag)	C10
	- 1 1/2 x ø40/50			

PEHD outlet to be soldered with PEHD pipes

a.	251.253.5	size	packaging	category
	PEHD straight tailpiece	1 1/4 x ø40	10 - X (bag)	C10
	- brass nut			
	- 1 1/4 x ø40			

b.	251.253.6	1 1/2 x ø40	10 - X (bag)	C10
	- 1 1/2 x ø40			

a.	251.353.6	1 1/2 x ø40	10 - X (bag)	C10
	- PP nut			
	- 1 1/2 x ø40			

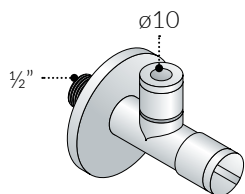
PEHD outlet to be soldered with PEHD pipes





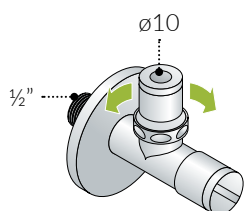
angle valves

in chrome plated brass



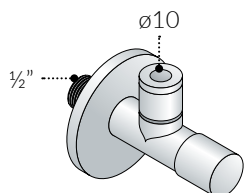
- a. 7320.431.2.K**
Chrome plated brass
angle valve
 - model Toti
 - with filter
 - c.p. brass flange $\phi 60$

size	packaging	category
$\frac{1}{2}'' \times \phi 10$	20 - I (box)	C07



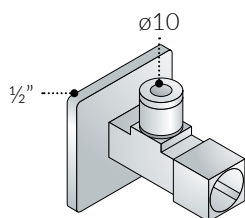
- a. 7320.441.2.K**
Chrome plated brass
angle valve
 - model Toti
 - with filter
 - jointed outlet
 - c.p. brass flange $\phi 60$

size	packaging	category
$\frac{1}{2}'' \times \phi 10$	20 - I (box)	C07



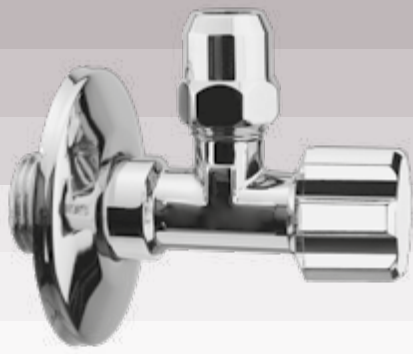
- a. 7320.131.2.K**
Chrome plated brass
angle valve
 - model Toti
 - without filter
 - c.p. brass flange $\phi 60$

size	packaging	category
$\frac{1}{2}'' \times \phi 10$	20 - I (box)	C07



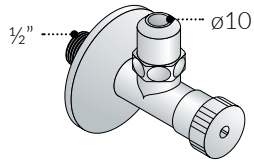
- a. 7340.431.2.K**
Chrome plated brass
angle valve
 - model Quasar
 - with filter
 - c.p. brass flange $\square 55$

size	packaging	category
$\frac{1}{2}'' \times \phi 10$	20 - I (box)	C07

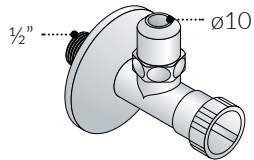


angle valves and mixer-hose connections

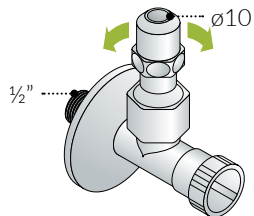
in chrome plated brass



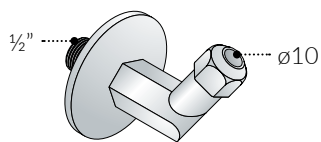
a.	3320.131.2	size	packaging	category
	Chrome plated brass angle valve	1/2" x ø10	60 - I (box)	C07
	<ul style="list-style-type: none"> - without filter - s/steel flange ø55 			



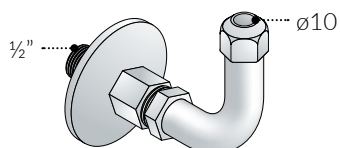
a.	3320.132.2	size	packaging	category
	Chrome plated brass angle valve	1/2" x ø10	60 - I (box)	C07
	<ul style="list-style-type: none"> - with filter - s/steel flange ø55 			



a.	3320.142.2	size	packaging	category
	Chrome plated brass angle valve	1/2" x ø10	60 - T (box)	C07
	<ul style="list-style-type: none"> - without filter - jointed outlet - s/steel flange ø55 			



a.	3053.131.2	size	packaging	category
	Chrome plated brass mixer-hose connection	1/2" x ø10	8 - X (box)	C07
	<ul style="list-style-type: none"> - 45° - s/steel flange ø55 			

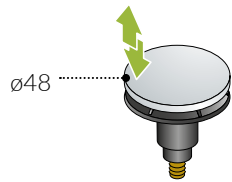


a.	3054.131.2	size	packaging	category
	Chrome plated brass mixer-hose connection	1/2" x ø10	6 - X (box)	C07
	<ul style="list-style-type: none"> - 90° - s/steel flange ø55 			

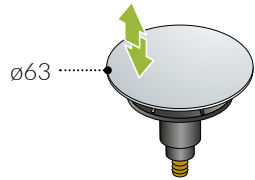


plugs for washbasin and sink wastes

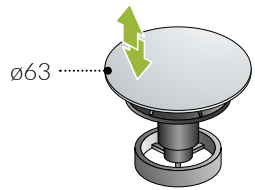
spare plugs for washbasin wastes and sink wastes



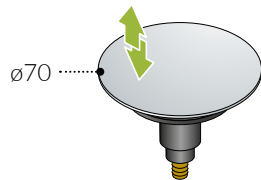
a.	137.049.0	size	packaging	category
	Spare plug ø48 for automatic - 3530 p. ***	ø48	5 - X (bag)	C08



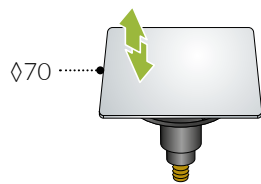
a.	137.036.0	ø63	5 - X (bag)	C08
	Spare plug ø63 for automatic - 7533 p. *** - 8530 p. *** - 4830 p. ***			



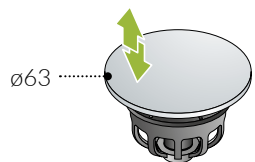
a.	137.027.0	ø63	5 - X (bag)	C08
	Spare plug ø63 for automatic - 8532 p. ***			



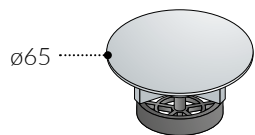
a.	137.053.0	ø70	5 - X (bag)	C08
	Spare plug ø70 for automatic - 8530 p. ***			



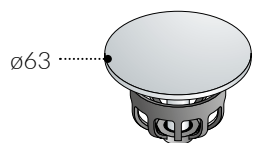
a.	137.037.0	ø70	5 - X (bag)	C08
	Spare plug ø70 for automatic - 8540 p. ***			



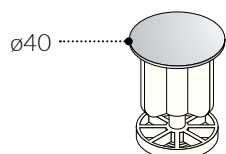
a.	137.097.1	ø63	5 - X (bag)	C08
	Spare plug ø63 for automatic - 7532 p. ***	new		



a.	119.713.5	size	packaging	category
	Spare grid ø65 for free flow - 147 p. *** - 542 p. ***	ø65	5 - X (bag)	C08



a.	137.098.1	ø63	5 - X (bag)	C08
	Spare grid ø63 for free flow - 7542 p. ***	new		



a.	120.360.5	size	packaging	category
	Spare plug ø40 for pop-up - 529 p. ***	ø40	5 - X (bag)	C08

ø38,5 (A)
 ø40,5 (B)
 ø50,5 (C)



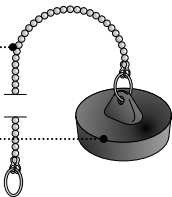
a.	120.120.5	size	packaging	category
	Spare plug with triangle - ø38,5	ø38,5	10 - X (bag)	C08
b.	120.820.5	ø40,5	10 - X (bag)	C08
	- ø40,5			
c.	120.120.7	ø50,5	10 - X (bag)	C08
	- ø50,5			

ø38,5 (A)
 ø45,5 (B)
 ø50,5 (C)



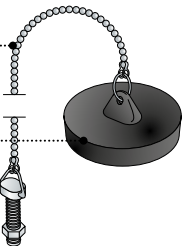
a.	120.170.5	ø38,5	10 - X (bag)	C08
	Spare plug with handle - ø38,5			
b.	120.170.6	ø45,5	10 - X (bag)	C08
	- ø45,5			
c.	120.170.7	ø50,5	10 - X (bag)	C08
	- ø50,5			

250
 ø38,5 (A)
 ø40,5 (B)

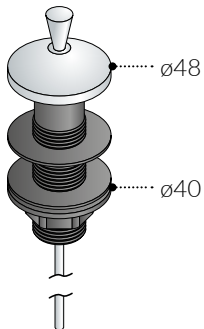


a.	120.111.5	ø38,5	10 - X (bag)	C08
	Spare plug with chain and ring - ø38,5 - chain L. 250			
b.	120.811.5	ø40,5	10 - X (bag)	C08
	- ø40,5			

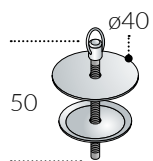
250 (A)
 300 (B)
 ø45,5 (A)
 ø50,5 (B)



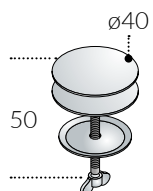
a.	120.112.6	ø45,5	10 - X (bag)	C08
	Spare plug with chain and stay - 45,5 - chain L. 250			
b.	120.112.0	ø50,5	10 - X (bag)	C08
	- ø50,5 - chain L. 300			



a.	121.099.0	size	packaging	category
	Vertical rod - ø48 × H. 340 mm	ø48 × H. 350	10 - X (bag)	C08



a.	121.020.0	ø40 × H. 50	10 - X (bag)	C08
	Cover - ø40 × H. 50 mm			

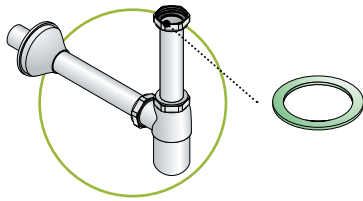


a.	121.490.0	ø40 × H. 50	10 - X (bag)	C08
	Cover - ø40 × H. 50 mm			



gaskets for traps

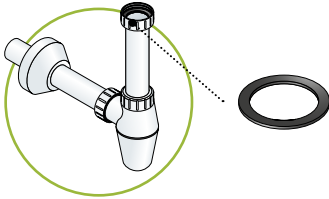
plate, conical and specific gaskets for trap



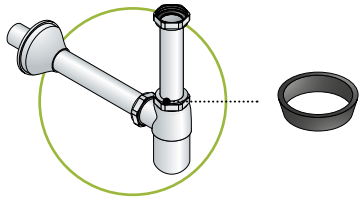
a.	125.200.4	size	packaging	category
	Plate gasket	1"	10 - X (bag)	C10
	- without asbestos			
	- 1"			
b.	125.200.5	1 1/4"	10 - X (bag)	C10
	- 1 1/4"			
c.	125.200.6	1 1/2"	10 - X (bag)	C10
	- 1 1/2"			



a.	125.730.5	1 1/4"	10 - X (bag)	C10
	- in rubber, flanged			
	- 1 1/4"			



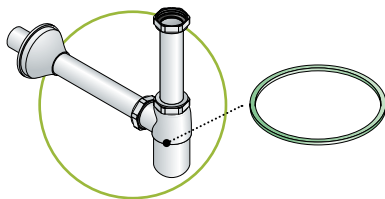
a.	125.230.5	1 1/4"	10 - X (bag)	C10
	- in rubber			
	- 1 1/4"			
b.	125.230.6	1 1/2"	10 - X (bag)	C10
	- 1 1/2"			



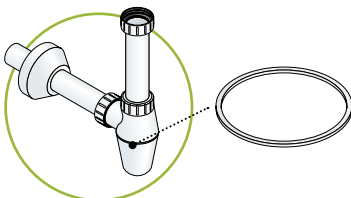
a.	124.320.4	size	packaging	category
	Conical gasket	1"	10 - X (bag)	C10
	- in PVC			
	- 1"			
b.	124.330.5	1 1/4"	10 - X (bag)	C10
	- in rubber			
	- 1 1/4"			
c.	124.330.6	1 1/2"	10 - X (bag)	C10
	- 1 1/2"			



a.	124.331.5	1 1/4"	10 - X (bag)	C10
	- specific for Tea products			
	- 1 1/4"			



a.	137.080.0	size	packaging	category
	Specific for bottle traps	48 x 42	10 - X (bag)	C10
	- without asbestos			
	- 317 p. *** (1")			
b.	137.081.0	52 x 44	10 - X (bag)	C10
	- 317 p. *** (1 1/4")			
c.	137.082.0	59 x 52	10 - X (bag)	C10
	- 17 p. ***			



a.	137.090.0	71 x 64	10 - X (bag)	C10
	- in PVC			
	- 217 p. ***			
b.	137.091.0	94 x 87	10 - X (bag)	C10
	- 208, 209			
	p. ***			

nuts

in chrome plated brass and plastic



a.	114.000.5.0	size	packaging	category
	Raw brass hexagonal nut - 1"¼	1"¼	10 - X (bag)	C08
b.	114.000.6.0	1"½	10 - X (bag)	C08
	- 1"½			



a.	114.590.5.0	1"¼	10 - X (bag)	C08
	Raw brass hexagonal nut H.15 - 1"¼	new		
b.	114.590.6.0	1"½	10 - X (bag)	C08
	- 1"½	new		



a.	114.000.5	1"¼	10 - X (bag)	C08
	C.p. brass hexagonal nut - 1"¼			
b.	114.000.6	1"½	10 - X (bag)	C08
	- 1"½			



a.	114.001.5.0	1"¼	10 - X (bag)	C08
	Raw brass knurled nut - 1"¼			
b.	114.001.6.0	1"½	10 - X (bag)	C08
	- 1"½			



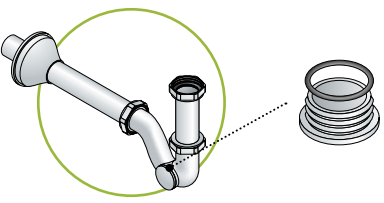
a.	114.001.5	1"¼	10 - X (bag)	C08
	C.p. brass knurled nut - 1"¼			
b.	114.001.6	1"½	10 - X (bag)	C08
	- 1"½			



a.	2114.002.4	size	packaging	category
	PP nut - 1"	1"	10 - X (bag)	C10
b.	2114.002.5	1"¼	10 - X (bag)	C10
	- 1"¼			



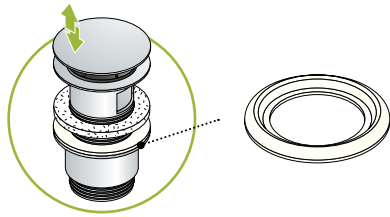
c.	2114.002.6	1"½	10 - X (bag)	C10
	- 1"½			
a.	2114.504.6	1"½	10 - X (bag)	C10
	- specific for Tea products - with washer - 1"½			



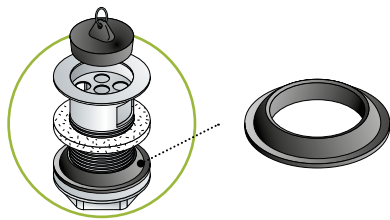
a.	137.086.0	size	packaging	category
	C.p. brass check hole plug for - 322 p. *** - 324 p. ***		10 - X (bag)	C08
b.	137.087.0		10 - X (bag)	C08
	- 22 p. *** - 24 p. ***			
c.	137.088.0		10 - X (bag)	C08
	- 390 p. ***			

gaskets for wastes

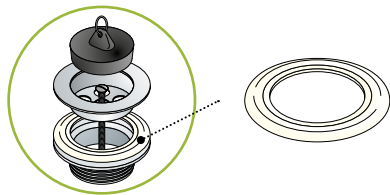
gaskets for washbasin, sink, bathtub and shower tray wastes



a.	123.421.0	size	packaging	category
	Shaped gasket for washbasin wastes	øint 42	10 - X (bag)	C10
	- 147 p. ***	new		
	- 529 p. ***			
	- 555 p. ***			
	- 3530 p. ***			
	- 7532 p. ***			
	- 7533 p. ***			
	- 7542 p. ***			
	- 8530 p. ***			
	- 8532 p. ***			
	- 8540 p. ***			
	- 8542 p. ***			

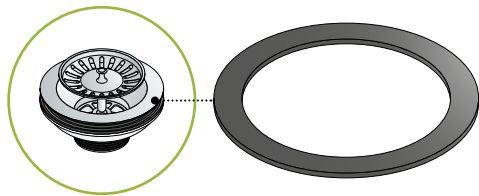


a.	123.321.5	size	packaging	category
	Shaped gasket for washbasin wastes	øint 40	10 - X (bag)	C10
	- 29 p. ***			
	- 30 p. ***			

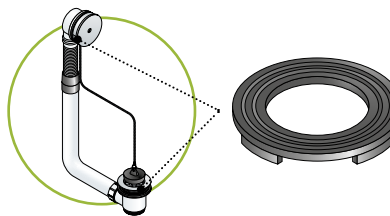


a.	123.420.0	size	packaging	category
	Shaped gasket for washbasin wastes (ø63)	øint 42	10 - X (bag)	C10
	- 34 p. ***			
	- 55 p. ***			
	- 234 p. ***			

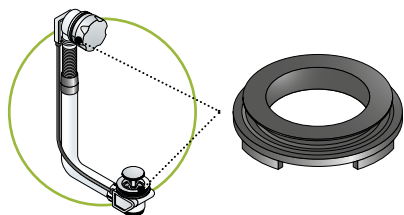
b.	123.621.0	size	packaging	category
	for sink wastes (ø80)	øint 67	10 - X (bag)	C10
	- 34 p. ***			
	- 55 p. ***			
	- 234 p. ***			



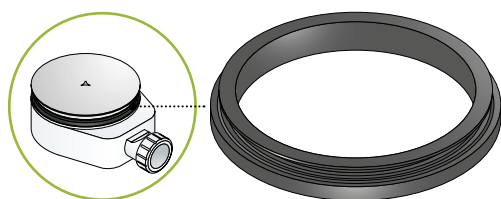
a.	123.502.0	size	packaging	category
	Plate gasket for basket strainer	øint 93	10 - X (bag)	C10
	- 133 p. ***	new		
	- 833 p. ***			



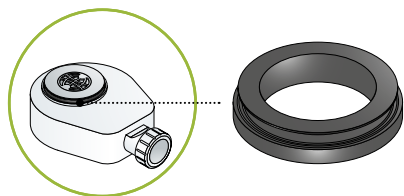
a.	123.523.0	size	packaging	category
	Plate gasket for bathtub wastes	øint 50	10 - X (bag)	C10
	- 98 p. ***			
	- 298 p. ***			
	- 312 p. ***			



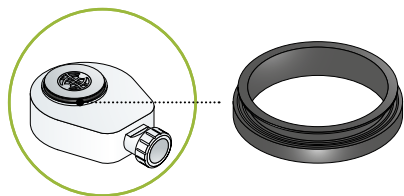
a.	123.524.0	size	packaging	category
	Flanged gasket for bathtub wastes	øint 48	10 - X (bag)	C10
	- 295 p. ***			
	- 301 p. ***			
	- 399 p. ***			
	- 595 p. ***			



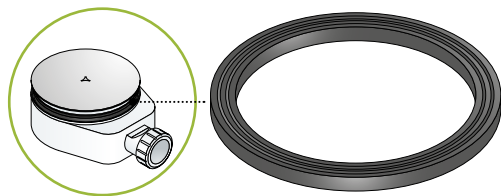
a.	123.527.0	size	packaging	category
	Flanged gasket for ø90 holed tray wastes	øint 89	10 - X (bag)	C10
	- 5661 p. ***			
	- 6241 p. ***			
	- 6261 p. ***			
	- 6561 p. ***			
	- 6621 p. ***			



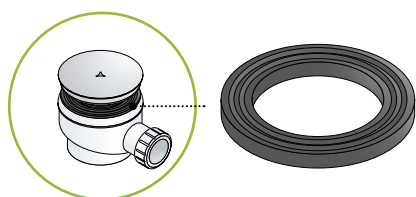
a.	123.525.0	size	packaging	category
	Flanged gasket for ø50 holed tray wastes	øint 48	10 - X (bag)	C10
	- 6461 p. ***			



a.	123.526.0	size	packaging	category
	Flanged gasket for ø60 holed tray wastes	øint 58	10 - X (bag)	C10
	- 6461 p. ***			



a.	123.505.0	size	packaging	category
	Plate gasket for ø90 holed tray wastes	øint 92	10 - X (bag)	C10
	- 5261 p. ***			
	- 5258 p. ***			

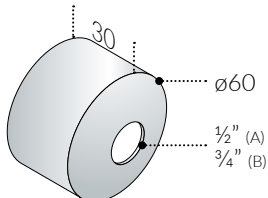
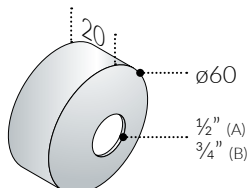
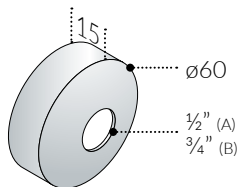
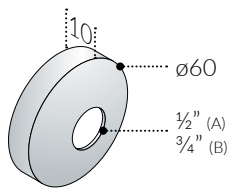
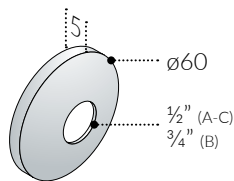
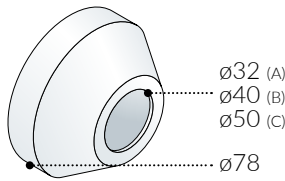
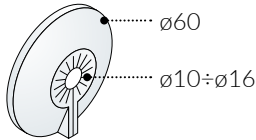
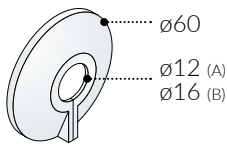


a.	123.504.0	size	packaging	category
	Plate gasket for ø90 holed tray wastes	øint 57	10 - X (bag)	C10
	- 61 p. ***			
	- 254 p. ***			
	- 256 p. ***			
	- 257 p. ***			
	- 261 p. ***			
	- 361 p. ***			
	- 461 p. ***			
	- 661 p. ***			



wall flanges

in chrome plated brass, stainless steel and plastic



a.	2115.114.2	size	packaging	category
	PP wall flange for angle valves	ø12	100 - X (bag)	C10
	- external ø60			
	- internal ø12			

b.	2115.114.3	ø16	100 - X (bag)	C10
	- internal ø16			

a.	2115.119.1	ø10 ÷ ø16	100 - X (bag)	C10
	- universal			
	- internal ø10÷ø16			

a.	2115.110.5	size	packaging	category
	PP wall flange for traps	ø32	10 - X (bag)	C10
	- external ø78			
	- internal ø32			

b.	2115.110.6	ø40	10 - X (bag)	C10
	- internal ø40			

c.	2115.110.8	ø50	10 - X (bag)	C10
	- internal ø50			

a.	118.310.2	size	packaging	category
	C.p.brass flange for angle valves	1/2"	100 - X (bag)	C08
	- external ø60			
	- thickness 5			
	- internal 1/2"			

b.	118.310.3	3/4"	100 - X (bag)	C08
	- internal 3/4"			

c.	118.210.2	1/2"	100 - X (bag)	C08
	- internal 1/2"			
	- in s/steel			

Stainless steel

a.	118.320.2	1/2"	100 - X (bag)	C08
	- thickness 10			
	- internal 1/2"			

b.	118.320.3	3/4"	100 - X (bag)	C08
	- internal 3/4"			

a.	118.330.2	1/2"	100 - X (bag)	C08
	- thickness 15			
	- internal 1/2"			

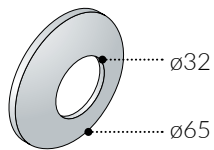
b.	118.330.3	3/4"	100 - X (bag)	C08
	- internal 3/4"			

a.	118.340.2	1/2"	100 - X (bag)	C08
	- thickness 20			
	- internal 1/2"			

b.	118.340.3	3/4"	100 - X (bag)	C08
	- internal 3/4"			

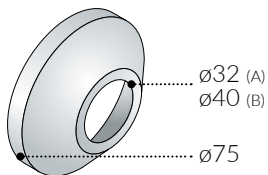
a.	118.360.2	1/2"	100 - X (bag)	C08
	- thickness 30			
	- internal 1/2"			

b.	118.360.3	3/4"	100 - X (bag)	C08
	- internal 3/4"			



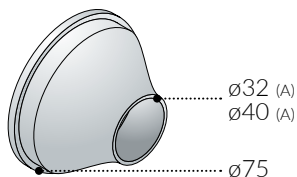
a.	115.210.5	size	packaging	category
	Wall flange for traps	ø32	10 - X (bag)	C08
		- external ø65 in s/steel		
		- internal ø32		

b.	115.310.5	ø32	10 - X (bag)	C08
		- in c.p. brass		



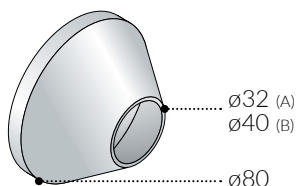
a.	115.220.5	ø32	10 - X (bag)	C08
		- external ø75 in s/steel		
		- internal ø32		

b.	115.220.6	ø40	10 - X (bag)	C08
		- internal ø40		



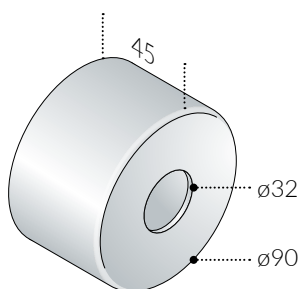
a.	115.320.5	ø32	10 - X (bag)	C08
		- external ø75 in c.p. brass		
		- internal ø32		

b.	115.320.6	ø40	10 - X (bag)	C08
		- internal ø40		

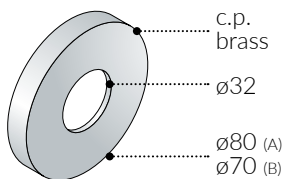


a.	115.350.5	ø32	10 - X (bag)	C08
		- external ø80 in c.p. brass		
		- internal ø32		

b.	115.350.6	ø40	10 - X (bag)	C08
		- internal ø40		

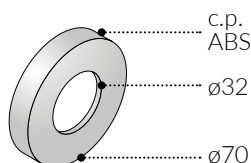


a.	115.340.5	ø32	10 - X (bag)	C08
		- external ø90 in c.p. brass		
		- internal ø32		
		- thickness 45		



a.	115.390.5	size	packaging	category
	Wall flange for design traps	ø32	10 - X (bag)	C08
		- external ø80 in c.p. brass		
		- internal ø32		

b.	115.200.5	ø32	10 - X (bag)	C08
		- external ø70		

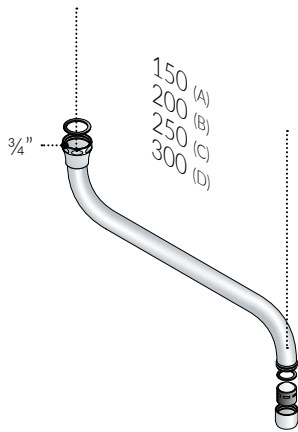


a.	115.400.5	ø32	10 - X (bag)	C10
		- external ø80 in c.p. ABS		
		- internal ø32		

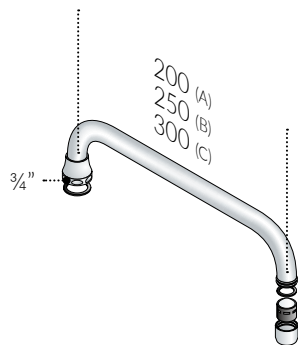


spouts

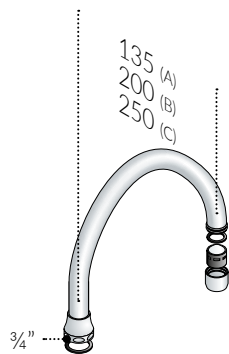
in chrome plated brass



a.	3022.151.3	size	packaging	category
	C.p. brass spout "S" - 3/4" x ø18 - aerator DIN approved - L. 150	3/4" x ø18 new	10 - X (bag)	C07
b.	3022.201.3 - L. 200	3/4" x ø18	10 - X (bag)	C07
c.	3022.251.3 - L. 250	3/4" x ø18	10 - X (bag)	C07
d.	3022.301.3 - L. 300	3/4" x ø18	5 - X (bag)	C07



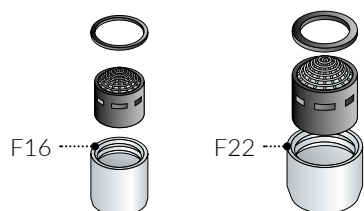
a.	3024.201.3	size	packaging	category
	C.p. brass spout "U" - 3/4" x ø18 - aerator DIN approved - L. 200	3/4" x ø18	10 - X (bag)	C07
b.	3024.251.3 - L. 250	3/4" x ø18	10 - X (bag)	C07
c.	3024.301.3 - L. 300	3/4" x ø18	5 - X (bag)	C07



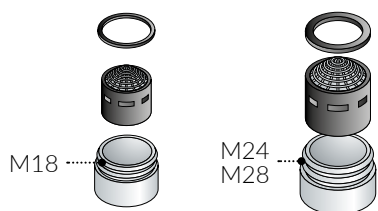
a.	3026.121.3	size	packaging	category
	C.p. brass spout "J" - 3/4" x ø18 - aerator DIN approved - L. 135	3/4" x ø18	10 - X (bag)	C07
b.	3026.201.3 - L. 200	3/4" x ø18	10 - X (bag)	C07
c.	3026.251.3 - L. 250	3/4" x ø18	10 - X (bag)	C07

aerators and spare parts for sink

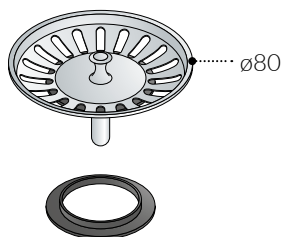
c.p. brass aerators and other spare parts for sink



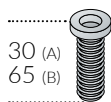
	size	packaging	category
a. 3070.500.0 C.p. brass aerator - F16 × 1	F16 × 1	10 - X (bag)	C07
b. 3070.600.0 - F22 × 1	F22 × 1	10 - X (bag)	C07
c. 3070.508.0 - with water-saver - F16 × 1	F16 × 1	10 - X (bag)	C07
With water-saver, 8 l/min limited water flow			
d. 3070.608.0 - with water-saver - F22 × 1	F22 × 1	10 - X (bag)	C07
With water-saver, 8 l/min limited water flow			



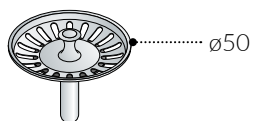
a. 3070.000.0 - M18 × 1	M18 × 1	10 - X (bag)	C07
b. 3070.200.0 - M24 × 1	M24 × 1	10 - X (bag)	C07
c. 3070.300.0 - M28 × 1	M28 × 1	10 - X (bag)	C07
d. 3070.008.0 - with water-saver - M18 × 1	M18 × 1	10 - X (bag)	C07
With water-saver, 8 l/min limited water flow			
e. 3070.208.0 - with water-saver - M24 × 1	M24 × 1	10 - X (bag)	C07
With water-saver, 8 l/min limited water flow			



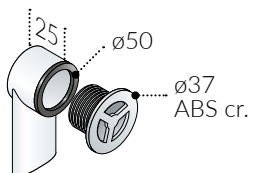
	size	packaging	category
a. 137.070.0 Basket strainer (Pic nic) spare parts - s/steel plug ø80, with washer	ø80	10 - X (bag)	C08
b. 137.070.9 - plug washer	ø50	10 - X (bag)	C08



a. 137.071.0 - screw - L. 30	L. 30	10 - X (bag)	C08
b. 137.072.0 - L. 65	L. 65	10 - X (bag)	C08





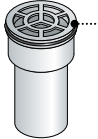
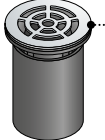


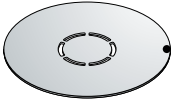


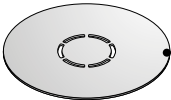
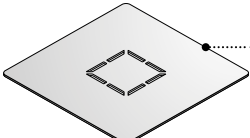
a. 137.079.0 Basket strainer (Punnet) spare parts - s/steel plug ø50, with washer	ø50	10 - X (bag)	C08
---	-----	--------------	-----

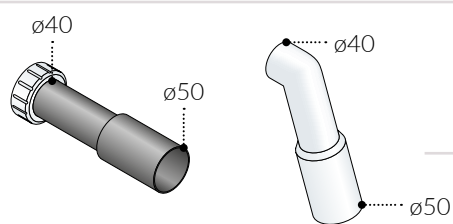


a. 137.022.0 Basket strainer overflow set - with c.p. ABS grid - with washer - for ø30 holed	ø30	10 - X (bag)	C10
---	-----	--------------	-----

for shower tray and bathtub wastes

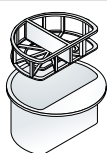
spare parts for shower tray wastes and bathtub wastes

	a.	119.310.0	size	packaging	category
		C.p. brass spare grid ø65 for - 58 p. ***	ø65	10 - X (bag)	C08
	a.	119.410.0	ø45	10 - X (bag)	C08
		C.p. brass spare grid ø45 for - 257 p. *** - 261 p. ***			
	a.	119.510.0	ø45	10 - X (bag)	C08
		C.p. brass spare grid ø45 for - 61 p. ***			
	a.	119.910.0	ø57	10 - X (bag)	C08
		C.p. brass spare grid ø57 for - 361 p. ***			
	a.	119.511.0	ø45	10 - X (bag)	C08
		C.p. brass spare grid ø45 for - 661 p. *** - 6461 p. ***			
	a.	119.525.0	ø85	10 - X (bag)	C10
		C.p. ABS spare grid ø85 for - 461 p. *** - 661 p. *** - 6461 p. ***			
	a.	119.512.0	ø118	10 - X (bag)	C08
		C.p. metal spare grid ø118 for - 5261 p. *** - 6261 p. ***			
	a.	119.522.0	ø118	10 - X (bag)	C10
		C.p. ABS spare grid ø118 for - 5261 p. *** - 6261 p. *** - 6621 p. ***			
	a.	119.522.0.B	ø118	10 - X (bag)	C10
		White ABS spare grid ø118 for - 5261 p. *** - 6261 p. *** - 6621 p. ***	new		
	a.	119.523.0	ø118	10 - X (bag)	C10
		C.p. ABS spare grid ø118 for - 5661 p. ***	new		
	a.	119.527.0	ø120	10 - X (bag)	C10
		C.p. ABS spare grid ø120 for - 5641 p. *** - 6241 p. ***	new		

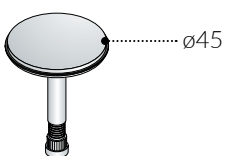


a.	278.155.6	size	packaging	category
	Tailpiece	ø40/50	10 - X (bag)	C10
	- ø40/50			
	- straight in PEHD			

a.	2188.250.8	size	packaging	category
	Tailpiece	ø40/50	10 - X (bag)	C10
	- bent 45° in PP			

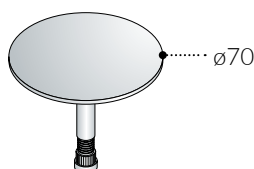


a.	137.056.0	size	packaging	category
	Trap for shower tray wastes		10 - X (bag)	C10
	- 6241/6261 p. ***			
	- 6561 p. ***			



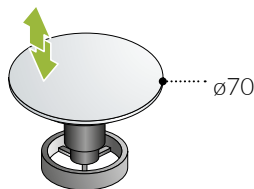
a.	137.061.0	size	packaging	category
	C.p. brass spare plug ø45 for	ø45	10 - X (bag)	C08
	- 295/301/491 p. ***			
	- 595 p. ***			

b.	137.063.0	size	packaging	category
	C.p. brass spare plug ø45 for	ø45	10 - X (bag)	C08
	- 399 p. ***			

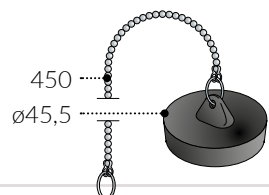


a.	137.052.0	size	packaging	category
	C.p. brass spare plug ø70 for	ø70	10 - X (bag)	C08
	- 8295 p. ***			
	- 8301 p. ***			
	- 8491 p. ***			

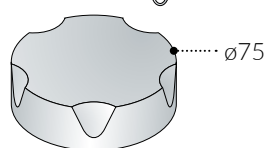
b.	137.047.1	size	packaging	category
	C.p. brass spare plug ø70 for	ø73	10 - X (bag)	C08
	- 8305 p. *** (in c.p. ABS)			



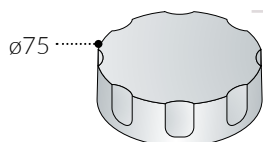
a.	137.039.0	size	packaging	category
	C.p. brass spare plug ø70 for	ø70	10 - X (bag)	C08
	- 2868 p. ***			
	- 8568 p. ***			



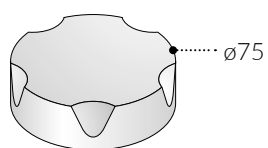
a.	120.113.6	size	packaging	category
	Spare plug ø45,5 for	ø45,5	10 - X (bag)	C10
	- 98 p. ***			
	- 298 p. ***			
	- 312 p. ***			



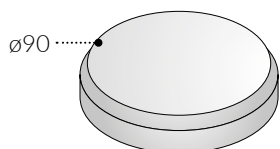
a.	137.044.0	size	packaging	category
	C.p. metal spare handle for	ø75	10 - X (bag)	C08
	- 295/301 p. ***			
	- 595 p. ***			
	- 8295/8301 p. ***			



a.	137.043.0	size	packaging	category
	C.p. metal spare handle for	ø75	10 - X (bag)	C08
	- 399 p. ***			



a.	137.051.0	size	packaging	category
	C.p. ABS spare handle for	ø75	10 - X (bag)	C10
	- 8305 p. ***			

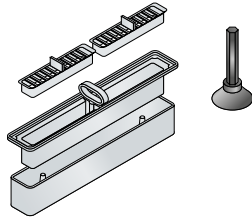


a.	137.047.0	size	packaging	category
	C.p. ABS spare handle for	ø90	10 - X (bag)	C10
	- 491 p. ***			
	- 595 p. ***			
	- 8491 p. ***			

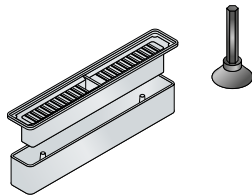


for shower channels

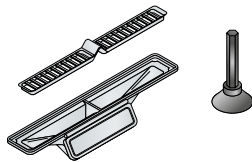
spare parts and accessories for shower channels



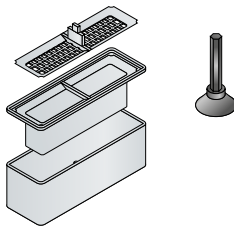
a.	137.007.0	size	packaging	category
	Trap for channels		10 - X (bag)	C10
	- 943 p. ***			
	- 953 p. ***			
	- 963 p. ***			
	- 983 p. ***			
	- 6963 p. ***			



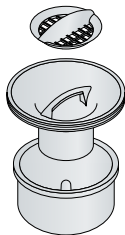
a.	137.029.0	size	packaging	category
	Trap for channels		10 - X (bag)	C10
	- 975 p. ***	new		
	- 4943 p. ***			
	- 5953 p. ***			
	- 5963 p. ***			



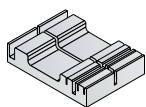
a.	137.023.0	size	packaging	category
	Dry trap for channels		10 - X (bag)	C10
	- 943 p. ***			
	- 953 p. ***			
	- 963 p. ***			
	- 975 p. ***			
	- 983 p. ***			
	- 4943 p. ***			
	- 5953 p. ***			
	- 6963 p. ***			



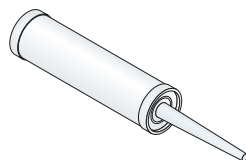
a.	137.009.0	size	packaging	category
	Trap for channels		10 - X (bag)	C10
	- 972 p. ***			
	- 973 p. ***			



a.	137.014.0	size	packaging	category
	Trap for channels		10 - X (bag)	C10
	- 971 p. ***	new		



a.	987.200.0	size	packaging	category
	Cutting template for channels		1 - X (bag)	C10
	- 982 p. ***			
	- 983 p. ***			

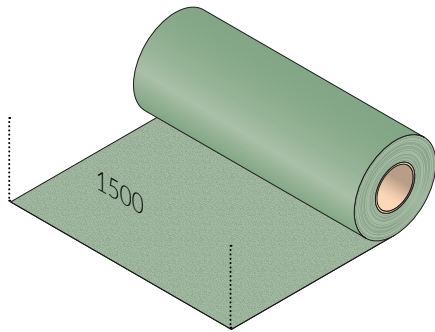


a.	979.821.0	size	packaging	category
	Deflow MS resin	290 ml	1 - X (bag)	C08
	- MS polymer based mastic to be used for sealing the perimeter area of the shower channel in case of installation with resin floors	new		
	- 290 ml			

To use for resin floors

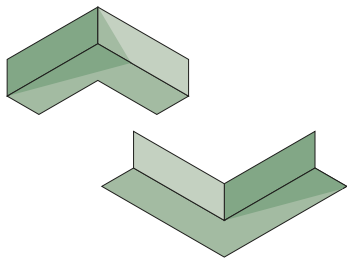
for thin bed waterproofing system

complementary and accessories



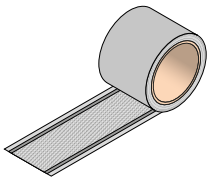
a.	979.141.0	size	packaging	category
	Deflow Tech	5 m	1 - X (bag)	C08
	- waterproof tech fabric			
	- 1.500 mm			
	- 5 meters roll			

b.	979.142.0	20 m	1 - X (bag)	C08
	- 20 meters roll			



a.	979.300.0	size	packaging	category
	Deflow Tech		1 - X (bag)	C08
	- waterproof tech fabric			
	- angle component			

b.	979.500.0		1 - X (bag)	C08
	- edge component			



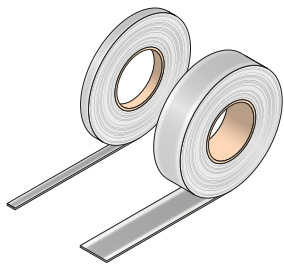
a.	979.907.0	size	packaging	category
	Deflow Tech		10 - X	C08
	- waterproof tech fabric with elastoplastic double-sided tape			
	- perimetric waterproofing kit for shower channels			

Included in standard package



a.	979.850.0	size	packaging	category
	Deflow MS	5 kg	1 - X (bag)	C08
	- waterproof mastic			
	- 5 kg bucket			

Overall theoretical yield:
 - for waterproofing 1,5 kg × 1 mq
 - for Deflow Tech fixing 0,9 kg × 1 mq



a.	979.810.0	size	packaging	category
	Deflow Seal	15 m	1 - X (bag)	C08
	- elastoplastic double-sided tape to seal all the junctions and joints			
	- 15 meters roll			
	- tape width 15 mm			

b.	979.811.0	15 m	1 - X (bag)	C08
	- tape width 50 mm			

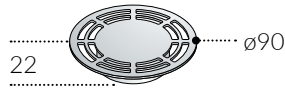
omptea.eu/installation

- comparison between waterproofing systems
- waterproofing security levels
- products for waterproofing
- thin bed waterproofing instructions

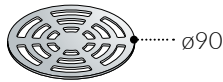


for floor drains

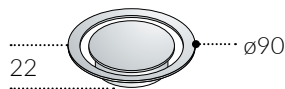
spare parts and accessories for floor drains



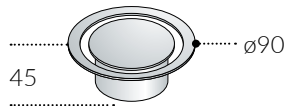
a.	119.610.0	size	packaging	category
	Chrome plated brass grid for floor drains, model Standard - 62/65 p. ***	ø90 × H. 22	10 - X (bag)	C08



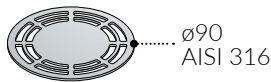
a.	119.612.0	size	packaging	category
	Chrome plated brass grid for floor drains, model Standard - 2562/2565 p. *** - 2662/2665 p. ***	ø90 × H. 7	10 - X (bag)	C08



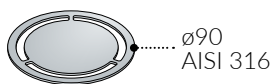
a.	119.615.0	size	packaging	category
	Chrome plated brass grid for floor drains, model Design - 62/65 p. ***	ø90 × H. 22	10 - X (bag)	C08



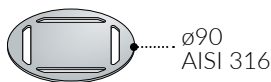
a.	119.616.0	size	packaging	category
	Chrome plated brass grid for floor drains, model Design - 2562/2565 p. *** - 2662/2665 p. ***	ø90 × H. 45	10 - X (bag)	C08



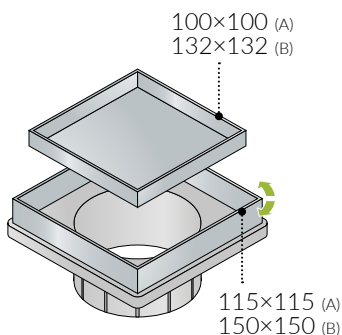
a.	119.617.0	size	packaging	category
	S/steel AISI316 grid for floor drains, model Standard - 2552/2555 p. *** - 2652/2655 p. *** - 2755 p. ***	ø90	10 - X (bag)	C08



a.	119.618.0	size	packaging	category
	S/steel AISI316 grid for floor drains, model Design - 2552/2555 p. *** - 2652/2655 p. *** - 2755 p. ***	ø90	10 - X (bag)	C08

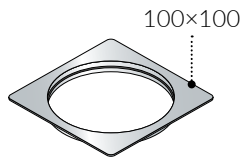
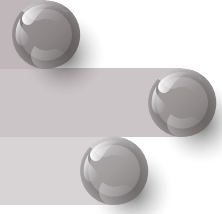


a.	119.619.0	size	packaging	category
	S/steel AISI316 grid for floor drains, model Square - 2552/2555 p. *** - 2652/2655 p. *** - 2755 p. ***	ø90	10 - X (bag)	C08

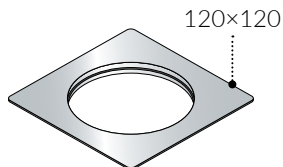


a.	77.408.9	size	packaging	category
	S/steel AISI316 frame and tile-ble grid 115×115 for floor drains - 2662/2665 p. *** - 2755 p. ***	115×115	10 - X (bag)	C08

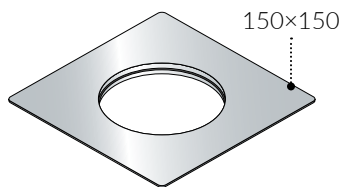
b.	77.428.9	size	packaging	category
	S/steel AISI316 frame and tile-ble grid 150×150 for floor drains - 2662/2665 p. *** - 2755 p. ***	150×150	10 - X (bag)	C08



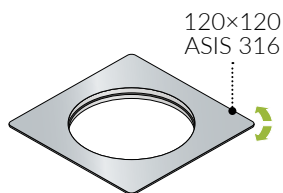
a.	77.410.9	size	packaging	category
	Chrome plated brass frame 100x100 for floor drains	100x100	10 - X (bag)	C08
	- 62/65 p. ***			
	- 271 p. ***			
	- 2562/2565 p. ***			
	- 2662/2665 p. ***			



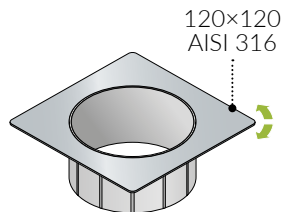
a.	77.400.9	size	packaging	category
	Chrome plated brass frame 120x120 for floor drains	120x120	10 - X (bag)	C08
	- 62/65 p. ***			
	- 271 p. ***			
	- 2562/2565 p. ***			
	- 2662/2665 p. ***			



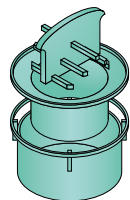
a.	77.420.9	size	packaging	category
	Chrome plated brass frame 150x150 for floor drains	150x150	10 - X (bag)	C08
	- 62/65 p. ***			
	- 271 p. ***			
	- 2562/2565 p. ***			
	- 2662/2665 p. ***			



a.	77.400.9.S	size	packaging	category
	S/steel AISI316 frame 120x120 for floor drains	120x120	10 - X (bag)	C08
	- 2552 p. ***			
	- 2555 p. ***			



a.	77.401.9.S	size	packaging	category
	S/steel AISI316 frame 120x120 for floor drains	120x120	10 - X (bag)	C08
	- 2652 p. ***			
	- 2655 p. ***			
	- 2755 p. *** (grated)			



a.	137.013.1	size	packaging	category
	Trap for floor drains		10 - X (bag)	C10
	- 2652 p. ***			
	- 2655 p. ***			
	- 2662 p. *** (standard)			
	- 2665 p. *** (standard)			

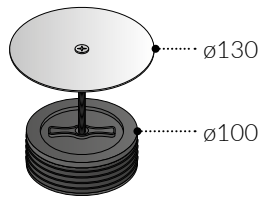


a.	137.013.0	size	packaging	category
	Trap for floor drains		10 - X (bag)	C10
	- 2555 p. ***			
	- 2565 p. *** (standard)			
	- 2652 p. ***			
	- 2655 p. ***			
	- 2662 p. *** (standard)			
	- 2665 p. *** (standard)			

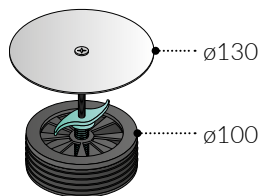


for floor drains and in-wall traps

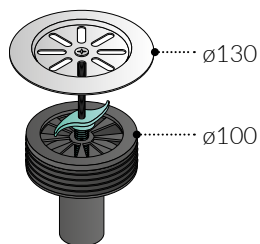
spare parts and accessories for floor drains and in-wall traps



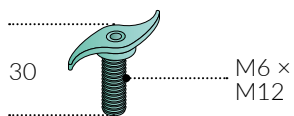
a.	177.601.0	size	packaging	category
	Cover for floor drains	ø130	10 - X (bag)	C08
	- 274.002.8	p. ***		
	- 275.002.8	p. ***		



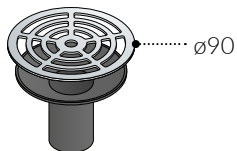
a.	177.600.0	size	packaging	category
	Cover for floor drains	ø130	10 - X (bag)	C08
	- 274.003.8	p. ***		
	- 275.003.8	p. ***		



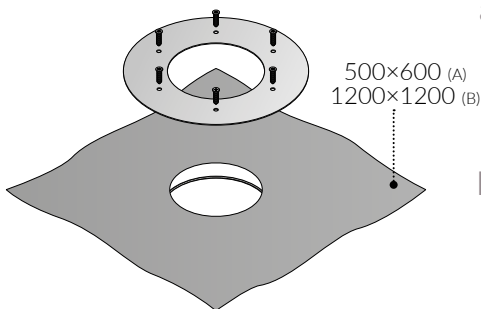
a.	177.100.0	size	packaging	category
	Grid for floor drains	ø130	10 - X (bag)	C08
	- 274.003.8	p. ***		
	- 275.003.8	p. ***		



a.	137.016.0	size	packaging	category
	Screw for	M6 x M12	10 - X (bag)	C10
	- 177.600.0	p. ***		
	- 177.100.0	p. ***		

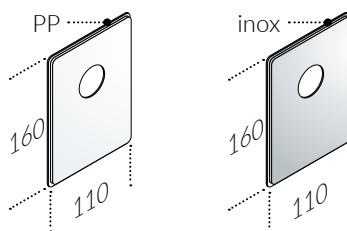


a.	177.300.9	size	packaging	category
	Chrome plated brass grid ø90 for floor drains	ø90	10 - X (bag)	C08
	- 271	p. ***		



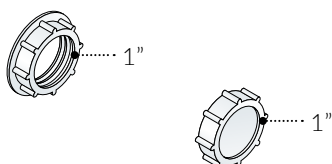
a.	177.501.0	size	packaging	category
	Waterproofing kit with 500x600 PVC sheet for	500x600	20 - T (bag)	C08
	- 262/266	p. ***		

b.	177.521.0	size	packaging	category
	1200x1200 PVC sheet	1200x1200	5 - B (bag)	C08



a.	137.075.0	size	packaging	category
	Wall cover plate	110x160	10 - X (bag)	C10
	- 110x160			
	- white ABS			

b.	137.074.0	size	packaging	category
	- stainless steel	110x160	10 - X (bag)	C08

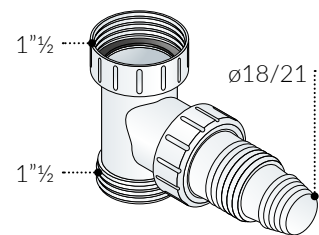


a.	137.078.0	size	packaging	category
	For in-wall traps	1"	10 - X (bag)	C10
	- counter-nut PP 1"			

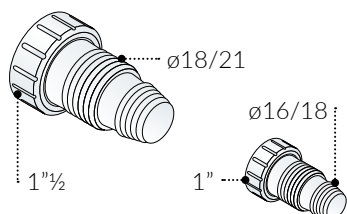
b.	2114.013.4	size	packaging	category
	- check-hole cap PP 1"	1"	10 - X (bag)	C10

hose connections

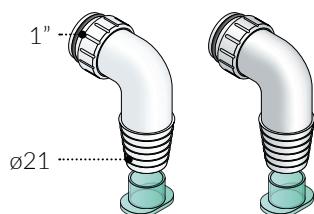
for conditioning-drops, washing machine and dryer



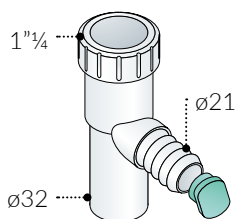
a.	2111.108.6	size	packaging	category
	Hose connection for washing machine	1 1/2 × 1 1/2	10 - X (bag)	C10
		- pipes joint in white PP		
		- 1 1/2 × 1 1/2		



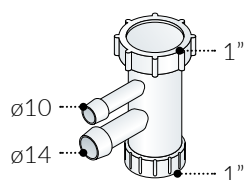
a.	2111.106.6	1 1/2	10 - X (bag)	C10
		- straight in white PP		
		- 1 1/2		
b.	2111.106.4	1"	10 - X (bag)	C10
		- 1"		



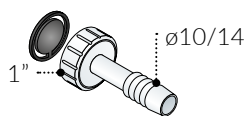
a.	2111.100.4	1"	10 - X (bag)	C10
		- bent in white PP		
		- 1"		
b.	2111.300.4	1"	10 - X (bag)	C10
		- bent in c.p. PP		



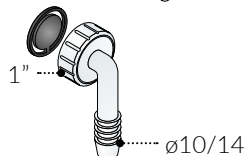
a.	2111.103.5	1 1/4 × ø32	10 - X (bag)	C10
		- pipes extension in white PP	new	
		- 1 1/4 × ø32		



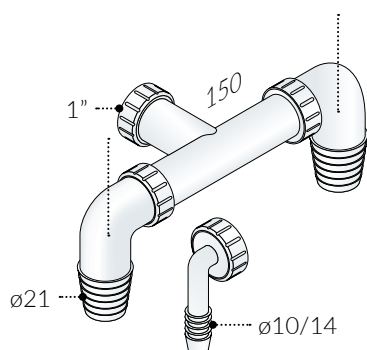
a.	2111.105.4	size	packaging	category
	Hose connection ø10/14 for conditioning-drops and dryer	1" × 1"	10 - X (bag)	C10
		- pipes joint in white PP	new	
		- 1" × 1"		



a.	2111.116.4	1"	10 - X (bag)	C10
		- straight in white PP	new	
		- 1"		



a.	2111.107.4	1"	10 - X (bag)	C10
		- bent in white PP	new	
		- 1"		

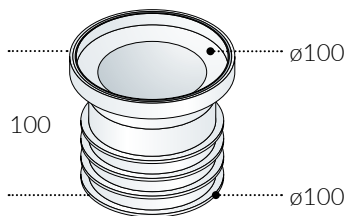


a.	2111.109.4	size	packaging	category
	PP hose connection for washing machine and dryer	1"	10 - X (bag)	C10
		- no. 2 for washing machine	new	
		- no. 1 for dryer		
		- 1"		



for wc

connectors and accessories for wc

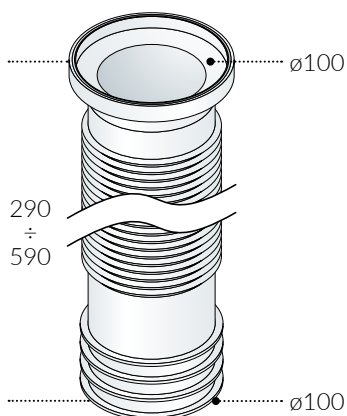


a. 155.620.0

PVC WC connector
- H. 100 mm

size	packaging	category
------	-----------	----------

Ø100 × 100	36 - P8 (bag)	C10
------------	---------------	-----

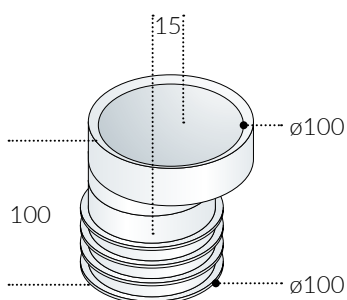


a. 155.628.0

PVC WC connector
- extensible
- H. 290÷590 mm

size	packaging	category
------	-----------	----------

Ø100 × 590	30 - L (bag)	C10
------------	--------------	-----

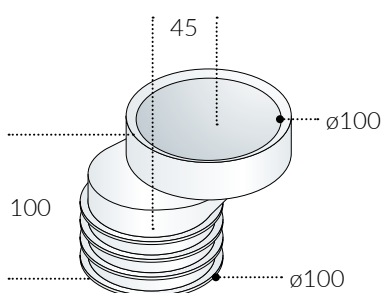


a. 156.620.0

PVC WC connector
- H. 100 mm
- eccentric 15 mm

size	packaging	category
------	-----------	----------

Ø100 × 100	36 - P8 (bag)	C10
------------	---------------	-----



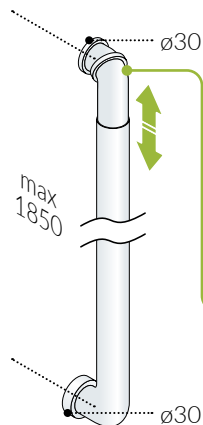
a. 156.625.0

PVC WC connector
- H. 100 mm
- eccentric 45 mm

size	packaging	category
------	-----------	----------

Ø100 × 100	36 - Z (bag)	C10
------------	--------------	-----





a. 259.434.5

PVC telescopic cistern connector

- ambivalent inlet 45/90°
- outlet ø30

size

ø30 × ø30

packaging

10 - P (bag)

category

C10



10 pcs.

The upper curve is ambivalent with angles both at 90° and 45°. To achieve a 45° curve, simply remove the excess part with a cut

a. 259.041.6

PP cistern connector

- inlet 90°
- outlet ø40

size

ø40 × ø24

packaging

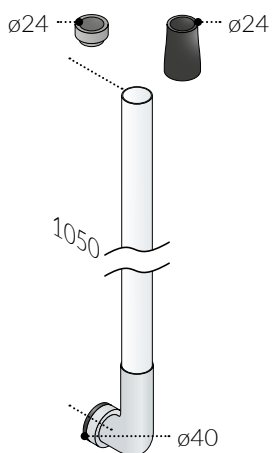
10 - P (bag)

category

C10



10 pcs.



a. 2178.307.6

PP WC connector

- pipe L. 300 × ø40
- with joint ø44
- with PP wall flange

size

300 × ø40

packaging

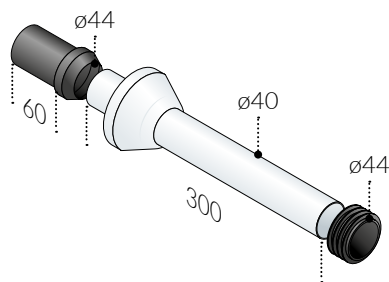
10 - X (bag)

category

C10



10 pcs.



a. 178.307.6

C.p. brass WC connector

- pipe L. 300 × ø40
- with joint ø44
- with c.p. brass wall flange

size

300 × ø40

packaging

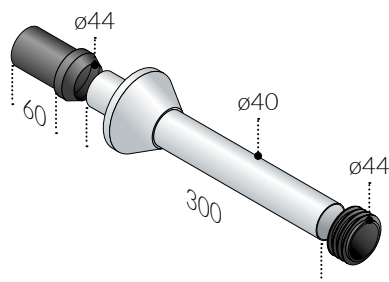
10 - X (bag)

category

C10

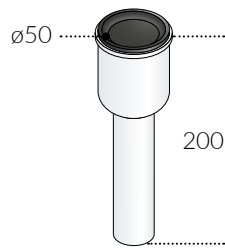


10 pcs.



for urinals

traps and convectors for urinals



a. 2130.130.6

PP convector for urinals
- with joint $\phi 50$

size

$\phi 50 \times \phi 40$

packaging

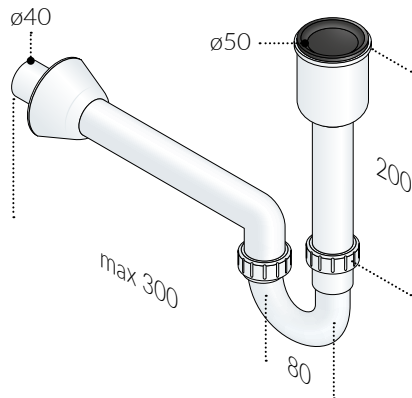
10 - X (bag)

category

C10



10 pcs.



a. 2130.430.6

PP convector for urinals
- with joint $\phi 50$
- with PP trap
- inlet H. 200 \times $\phi 50$
- outlet L. 300 \times $\phi 40$
- with PP flange

size

$\phi 50 \times \phi 40$

packaging

10 - W (bag)

category

C10



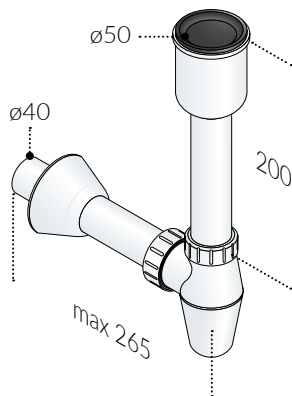
60 mm



65 l/min



10 pcs.



a. 2130.530.6

PP convector for urinals
- with joint $\phi 50$
- with PP trap
- inlet H. 200 \times $\phi 50$
- outlet L. 200 \times $\phi 40$
- with PP flange

size

$\phi 50 \times \phi 40$

packaging

10 - W (bag)

category

C10



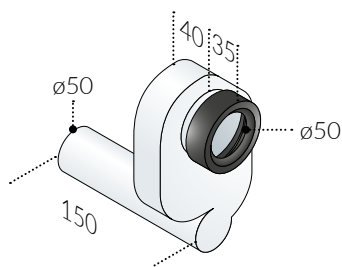
60 mm



61 l/min



10 pcs.



a. 6130.002.8

PP in-wall trap for urinals
- lateral outlet $\phi 50$

size

$\phi 50 \times \phi 50$

packaging

10 - T (bag)

category

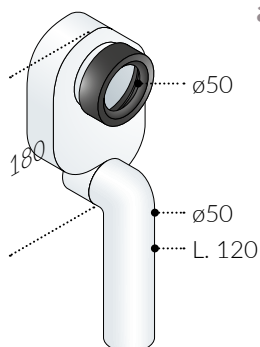
C10



60 mm



10 pcs.



a. 6135.002.8

PP in-wall trap for urinals
- vertical outlet $\phi 50$

size

$\phi 50 \times \phi 50$

packaging

10 - T (bag)

category

C10



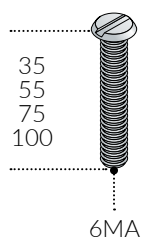
60 mm



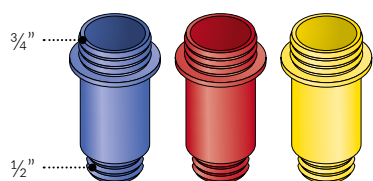
10 pcs.

other...

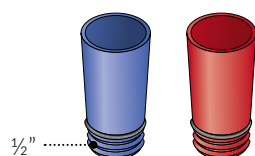
other accessories and spare parts



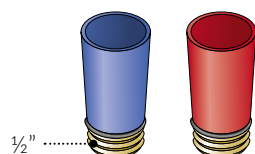
a.	122.300.0	size	packaging	category
	Stainless steel screw 6MA - L. 35	L. 35	10 - X (bag)	C08
b.	122.550.0	L. 55	10 - X (bag)	C08
	- L. 55			
c.	122.750.0	L. 75	10 - X (bag)	C08
	- L. 75			
d.	122.000.0	L. 100	10 - X (bag)	C08
	- L. 100			



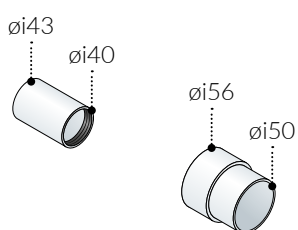
a.	137.350.3	size	packaging	category
	Testing plugs - bivalent in PP - blue	1/2" x 3/4"	10 - X (bag)	C10
b.	137.355.3	1/2" x 3/4"	10 - X (bag)	C10
	- red			
c.	137.358.3	1/2" x 3/4"	10 - X (bag)	C10
	- yellow			



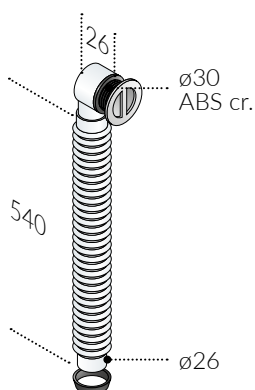
a.	137.050.2	1/2"	10 - X (bag)	C10
	- monovalent in Nylon - blue			
b.	137.055.2	1/2"	10 - X (bag)	C10
	- red			



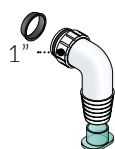
a.	137.250.2	1/2"	10 - X (bag)	C10
	- monovalent in Nylon - with brass thread - blue			
b.	137.255.2	1/2"	10 - X (bag)	C10
	- red			



a.	137.058.7	size	packaging	category
	Outlet adaptor in ABS - inlet ø40 - outlet ø43	ø40 x ø43	10 - X (bag)	C10
		new		
b.	137.058.9	ø50 x ø56	10 - X (bag)	C10
	- inlet ø50 - outlet ø56			
		new		



a.	247.301.0	size	packaging	category
	Accessories specific for Squid art 1650/1652 - overflow set - c.p. ABS overflow grid - for holes ø30 - for washbasin thickness 5÷20 - max tube length L. 540	1"½ x 1"½	10 - X (bag)	C10
		new		
		* Specific for Squid art 1650/1652 page ***		



a.	2111.110.4	1"	10 - X (bag)	C10
	- hose connection - with conical gasket specific for Squid			
		new		
		* Specific for Squid art 1650/1652 page ***		





Informations

- OMP TEA introduce TECHNOVA -
- protection of personal data -
- warranty conditions -
- seller's general terms -
- legend -
- packing -
- product conformity -
- eco-efficiency in siphon production -



i



1.

OMP TEA introduce TECHNOVA

In 2017 Technova, an Italian company manufacturing custom-made items for bathroom furnishings in Pietraluce since 1969, became part of the OMP SpA group. We are pleased to present a new range of OMP TEA products.

The company

Technova has been manufacturing since 1969 custom-made items for bathroom furnishings in Pietraluce. Our long experience and our distinctive professionalism, our best technologies, as well as the quality of our material Pietraluce, have assured our success over the years. The aesthetical quality of our products, their flexibility in shapes and colours have attracted the interest of the best customers, while their high resistance and durability are guaranteed by thousands of supplies for the most different uses.

All our products have been craft-made in Italy and they have been completely hand finished by our expert technicians. This enables us to supply a high quality product, unique and exclusive, and to guarantee its endurance in the respect of the tradition of the Made in Italy.

Our material

Pietraluce is shiny, water-proof and with anti-scale features.

Pietraluce is resistant to acids, solvents and to all the liquid products used for cleaning; it has anti-bacterial properties, it is non-flammable and self-extinguishing. Scratches or stains can be removed with a normal polishing paste; small repairs of chipping or cuts can be done by using our maintenance kit. Pietraluce be cut and drilled with normal tools in steel.

Pietraluce exists in various versions and colours, even on Customer's sample, and in shine or mat finishing. Beautiful, pleasant to the touch, resistant to the use, flexible in shapes and colours, Pietraluce is the material at the service of design.

Pietraluce remains an exclusive material: more than sixty years of experience and several thousands of supplies in hotels, schools, hospitals, commercial centres or private residences, represent its best guarantee.

Range

- on top, freestanding or wall-mounted washbasins
- bathroom furnitures
- on measure washbasins
- bathtubs
- shower trays
- complementary and on measure wall-covering slab

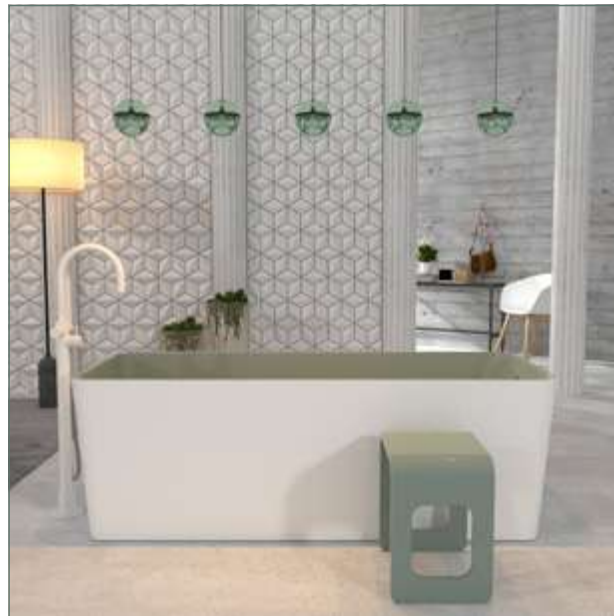
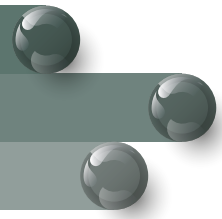


technova
tailor made bathroom

Viale Europa 13
25036 Palazzolo sull'Oglio (BS) - Italy
+39 030 7300792
technova@technova.it



technova.it



We inform you that personal data that we acquire, which will be asked to you or which will be communicated to us by third parties will be processed according to the legislative regulations specified by Personal data protection Code (Regulation EU 2016/679 GDPR)

Processing aim

- compulsory fulfilment of fiscal and book-keeping matters as prescribed by law
- customer management
- cases management

Further aims, subject to specific agreement

- to provide information about our possible promotional activities
- to provide information about future commercial initiatives and new products, services and offers both from our company and affiliated and/or subsidiary companies and business partners

Processing method

- automatic processing by computer
- manual processing on paper archives

Each processing is carried out according to the methods described in art. 15-22 of the Code Regulation EU 2016/679 (GDPR) and with the minimum safety measures provided by the technical rule set

Communication

Your data will be hold at the company headquarters and will be communicated only to the relevant subjects, to carry out the services necessary for proper working relationship management. We guarantee that personal data will be protected. The subjects that can ask for personal data are:

- marketing office
- administration office
- our commercial network - agents

Your data may be communicated to people outside the company, more specifically to:

- consultants and professionals even in associated form
- banks and credit institutes
- credit information centres
- companies working in the transport sector
- installers and/or private subjects interested in our products who ask for dealers selling our products

Diffusion

Your data will not be diffused in any way

Owner

According to the law, the Owner of personal data processing is OMP spa in the person of its legal representative

Access right to personal data and other rights

The person concerned can in any moment exercise the rights provided for by art. 7 of the a.m. Code and ask to delete, communicate, update, rectify or integrate his/her personal data. Please remember that if you do not want to receive any further communications or information/promotional material from us, you can inform us as follows:

e-mail privacy@omptea.com
fax +39 0365 897940

For more informations, please refer to
www.omptea.eu

1)

TEA® hydro-sanitary water discharge systems are designed and manufactured by OMP to convey, when correctly installed, bath, kitchen, house-washers and dishwashers waste water to the building drain piping. At the same time, they prevent any return of gases and insalubrious bad odours from sewers to the house.

2)

OMP warranty ends 12 months after product delivery. OMP guarantees that their products have no design or manufacture faults. Warranty does not cover:

- damage caused by incidents, negligence or product misuse including discharge of noxious, corrosive or toxic acids, though accidental;
- damage caused by atmospheric phenomena - water, fire, lightning, etc.;
- repairing of products resulting damaged or faulty after the operation of unauthorized or unskilled personnel;
- repairing of products damaged during transport or by improper installing, tampering, modifications, connection to inappropriate hydraulic systems;
- product installation.

3)

Since OMP products with other products supplied by third parties make up more complex hydro-sanitary systems, we specify that this warranty is only valid for systems realized in a workmanlike manner, in compliance with current regulations and by specialized personnel who has to issue a conformity declaration as required by Law 46/1990. Obviously, the above mentioned warranty is not valid for the entire systems, but only for OMP products.

4)

Any claim is to be directed to OMP by recorded delivery letter within eight days from fault detection; once both the claim and the faulty piece – together with its components – have been received, OMP and its technicians will carry out an investigation gathering all necessary information to assess the claim legitimacy. Should the claim result legitimate, OMP will do its utmost to solve the situation, should the reverse be true, the buyer will be sent a communication indicating the reasons for claim refusal. The case will then be closed.

5)

The full text reported above represents the sole valid warranty; nobody can modify its contents and terms, be it in verbal or written form.

1) Seller's general terms and conditions, modifications

Buyer hereby agrees to be bound by the following Seller's general terms and conditions, the content of which it is fully aware. Any amendment to these conditions shall be valid and in force only if specifically confirmed in writing by the Seller; the validity of any amendment shall be limited to that order for which it has been confirmed.

2) Orders' acceptance

tions between parties. The required characteristics that qualify the order are: price and payment conditions; characteristics of the product; quantity; type of packaging; terms of return; means of transport, delivery point; terms of delivery. The validity of the order shall be subjected to the Seller's acceptance, to be deemed occurred by confirmation in writing directly by the Buyer or through its own agent or intermediary or by the issuance of the related invoice or through the direct execution of the order. If the Seller should not be able to deliver the product within the agreed time, or if Seller should ascertain Buyer's insolvency, the former shall be entitled to negotiate the order's a, on a new basis, until an agreement is reached. Any amendment to the order subsequent to the execution of the agreement shall be deemed as a new Buyer's proposal.

3) Product

Seller has the right, at any time, to modify the products as it may be necessary in order to accomplished with both Italian and EU law, as well as to implement any other modification which, notwithstanding to the Buyer's technical specifications, does not affect the quality and usability of the product. Seller warrants that the sold products are in compliance with the specified characteristics. Buyer shall bear any risk and liability related to the use of the products, whether they are used individually or in combination with other products. The above warranty is granted exclusively to first-quality products. Moreover, except for death or personal injuries due to Seller's fraudulent or gross negligent behaviour, Seller shall not bear other losses, damages or costs arising out of the supply, use or resale of the products. In any case, Seller's liability shall not exceed the value of the sold products, except for any mandatory rule.

4) Packaging

The products shall be packed by the Seller at its own expenses. The standard packaging shall not include products beyond measure or special and particular shipping; in such cases, the expenses thereof shall be charged to the Buyer, unless otherwise agreed in writing.

5) Defective products. Modality of return

The Buyer shall verify the supplied products within 30 (thirty) days as from the date when it has received them. After such period the Seller will not accept any claim except from those defects that the Buyer proves to be intervening defects. In any case, the complaint shall be notify in writing within 8 (eight) days from the discovery of the defects. For a period of 60 (sixty) days from the date of the claim the contested products shall be kept at the Seller's disposal as well as of its assessors and of its insurance company's assessors that shall have the right to inspect and sample them. In any case, the Buyer shall prove the contested defects. The Seller shall not accept returned products without its prior and express approval. In any case, Seller shall not accept returned product related to supplies that has been supplied after 3 (three) months from the date of their delivery. The returned products shall be delivered to the Seller free delivered to Bione, Brescia-Italy together with their required documents. In case of ascertained defects of the products, Seller shall have the right, in any case, to decide either to substitute them or grant a reduction on the price.

6) Delivery and Shipping

The terms of delivery shall be accounted in working days; the respect of them is, in any case, subordinated to the material availability of labour supply and to the potential circumstances beyond the reasonable control of the Seller. The Buyer shall never be entitled to terminate the agreement, reject the supply or claim compensation for damages whatsoever, in the event of delay in the delivery. The title and ownership of the sold products shall pass to the Buyer at the time of the delivery of the products that shall take place at the Seller's premises in Bione, Brescia-Italy. Buyer shall be responsible for the safekeeping of the sold product, pursuant to art. 2051of the Italian Civil Code as from the date of its delivery at the Seller's premises. Whether the Buyer did not give precise instructions regarding the shipping and if it is agreed that the burden of shipping is on the Seller, the latter shall have the right to select the means of shipping that he deems to be more appropriate by delivered ex quay unpaid. The Seller has the right to execute any order by using one or more shipping.

If the products are delivered in partial shipments, each delivery is considered as a single and separate agreement;

the failure to execute one or more deliveries shall not entitle the Buyer to refuse the performance of the whole agreement. The products shall be delivered within 45 (forty-five) working days from the Seller's order acceptance. Seller shall be entitled to deliver the products before the contractually agreed delivery date, upon previous notification in writing to the Buyer. Seller shall not be liable for possible delays regarding the agreed date due to intervening circumstances that can not be attributed to the Seller. As a result of that, Buyer is not entitled to terminate the agreement, reject the supply or claim compensation for damages whatsoever, in the event of delay in the delivery. Whether the Buyer neither accepts the delivered products on consignment nor gives instructions about the delivery, Seller, without waiving any other action, may:

- store the products at Buyer's expenses, including insurance costs, until the delivery of the products will take place;
- sell the products at the best workable price and after deducting storage and sale costs charge the Buyer with the over cost or the difference with respect the agreed price in the agreement.

If Buyer does not accept the partial delivery of the ordered products, Seller shall have the right to postpone or cancel the sale, without giving prior notice to the Buyer and without affecting the remaining part of the order.

If the Seller should not be able, due to any reason whatsoever, to perform the entire order, it has the right to execute partial deliveries without being considered in default. Seller shall not be liable for the delay in the delivery or defaults in performing the contract originated directly or indirectly by causes of force majeure such as strikes, fires, explosions, incidents, floods, riots, revolutions, wars, acts accomplished or authorised by the governmental authority, impossibility to obtain materials, fuel, energy, means of transportation, and any other event due to causes beyond the reasonable control of the aggrieved party.

7) Payment conditions

The payment shall be fulfilled within 30 (thirty) days as from the end of the invoicing month, or within any other date notified in writing to the Buyer. Seller shall have the right to suspend and to cancel the supplies in the event the Buyer does not fulfil, totally or partially, its payment obligation. Moreover, if the Seller does not receive the payment within the due date stated in the invoice, it shall be entitled to issue a draft sight surcharged of expenses. On the delays in the payments, it will be applied by the Seller interests on arrears at the average bank discount rate surcharged of 3/5 plus expenses. Seller shall have the right to modify at any time the list prices pursuant to the trend of the market. In the price shall never be included any amount due to duties, taxes, imposts and any other similar burden that shall be born by the Buyer unless, where agreed, are deemed to be anticipated by the Seller. The supply prices are not binding.

8) Minimum Order

Seller, besides the feasibility study, shall have the right to execute only those orders which amount is not less than 250 Euro.

9) Notices

Any notice to be given by either Party shall be in writing and sent to the registered office of the other Party, or to a different address, previously notified.

10) Jurisdiction

If a dispute arises regarding the validity, construction or performance of the contract, the Parties agree that the Tribunal of Brescia shall have jurisdiction on it with express exclusion of any other different court.

**Water seal**

Indicates the water seal of the trap, the value is expressed in millimeters

**Water volume**

Indicates the water flow rate of the item, the value is expressed in litres/minute

**Water volume of the overflow**

Indicates the water flow rate of overflow, the value is expressed in litres/minute

**European standard conformity**

Indicates products in conformity with European standards

**TÜVLGA approved product**

Indicates products approved by TÜV-LGA

**NF approved product**

Indicates products approved by NF

**Article packed in box**

The item with this symbol is packed in cardboard boxes

**Article packed in bag**

The item with this symbol is packed in a polyethylene (PE) bag

**Eco-efficiency**

Indicates items made using a lower environmental impact production process

**Notes**

Indicates important notes about the product series or information specific to a single article

**Accessories available**

This symbol is used when spare parts are available for the article to which it refers

**New article**

Indicates that the item to which it refers was not present in the previous version of the catalogue



In order to make transport and stockage operations easier, we have adopted packages suitable for 120x80 cm standard pallet.



Each packaging entity (box or bag) is provided with a item-label showing: Article-Code, Size, eventual Drawing and EAN 13 Bar-code.

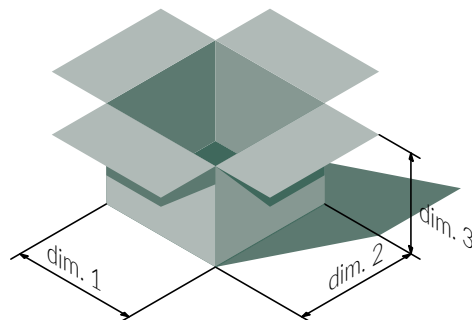
On the external package we stick a marking-label with same information, together with a customer identification's acronym.

These two system, item-label and marking-label, are integrated with an automatic packaging machinery which provides a better and quicker packaging process.

This is the reason why we will round the quantities of your orders. Please see column "Package" on the index of this catalogue for standard package quantity.

Dimensions of the external package

Cod.	dim. 1	dim. 2	dim. 3 (H)	Volume
A	60	40	32	0,0768
B	60	40	22	0,0528
C	60	40	28	0,0672
I (1)	30	22	23	0,0152
K	72	20	48	0,0691
L	80	41	36	0,1181
O	60	40	18	0,0432
P	41	110	30	0,1353
Q	60	40	35	0,0840
QA	60	40	37	0,0864
S	73	40	24	0,0701
T (3)	39	30	24	0,0281
W	40	30	31	0,0372
Z	59	40	45	0,1062
P8	41	41	36	0,0605
X	Bag			





The reference standard for sanitary appliances' discharge devices is the UNI EN 274 standard, which is connected to a set of standards on gravity drainage systems in buildings UNI EN 12056.

In order to better recognize compliant products and to compare their functional characteristics, we used the symbols listed on legend (page ***).



Regarding the hydraulic seal of the products, standards mandate a minimum height of 50 mm for all types of siphons, regardless of their application area.



Concerning water flow, standards specify test procedures and the quantity of water the device must be capable of discharging. All details about water flow requirements are listed in the table below.

OMP S.p.A. has its own testing facilities with specifically calibrated equipment.

Water flow refers always to 1"¼ × ø32mm washbasin and bidet traps.

Water flow of 1" traps was not indicated.

The certifications reported here can also refer to products of the same family which are not indicated in this catalogue but have equivalent characteristics and functions.

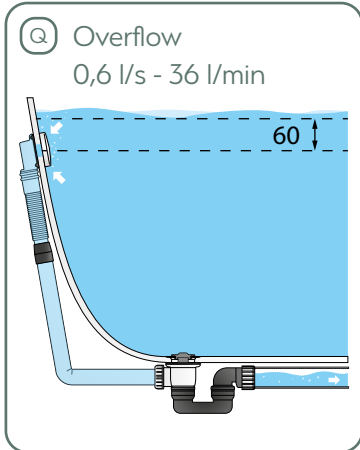
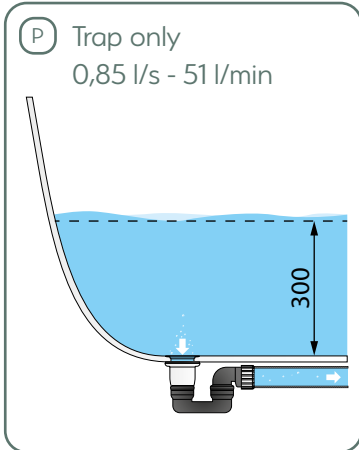
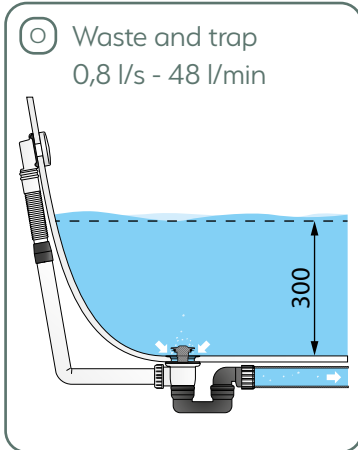
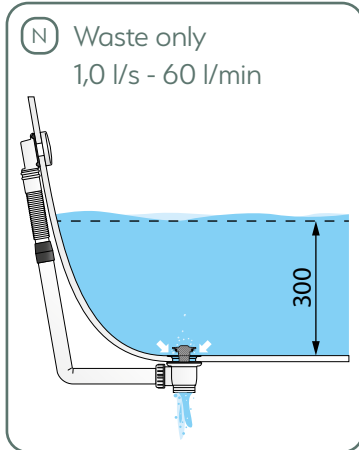
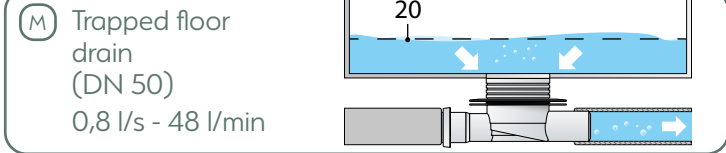
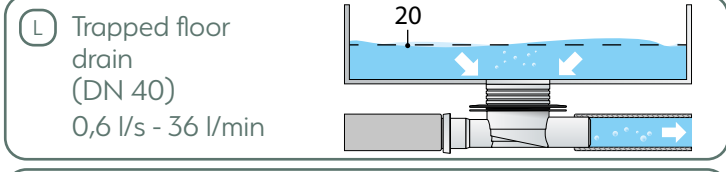
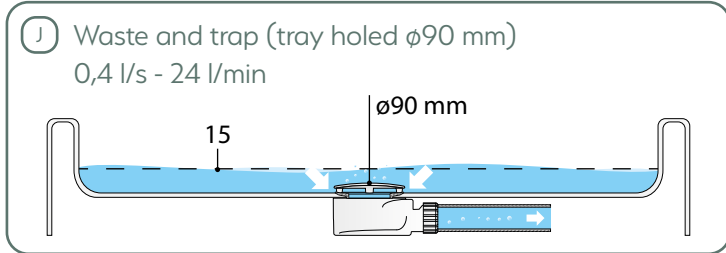
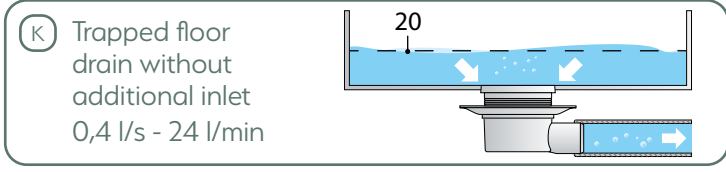
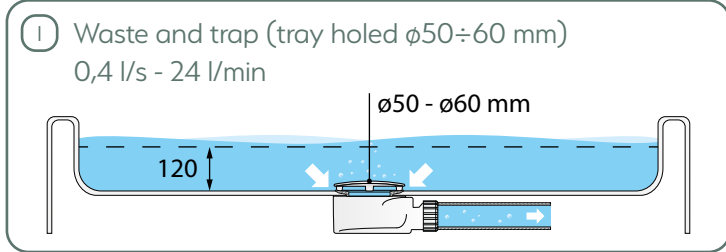
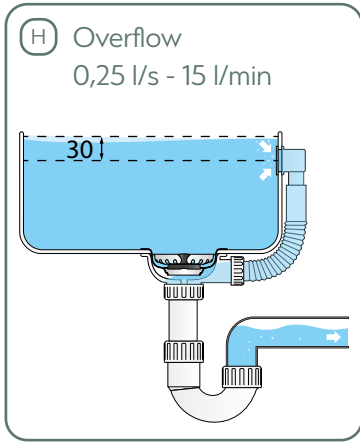
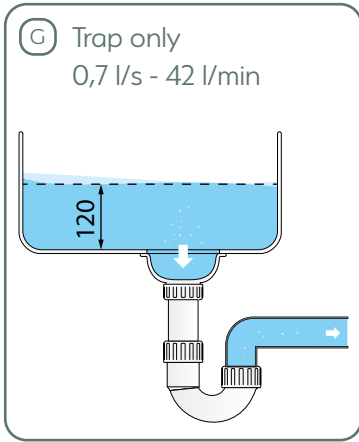
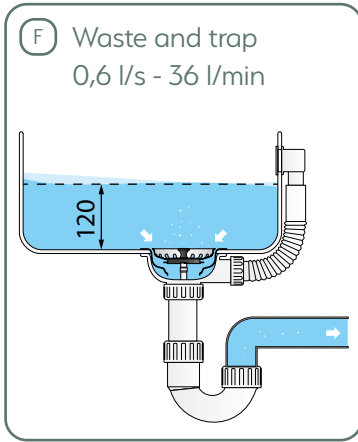
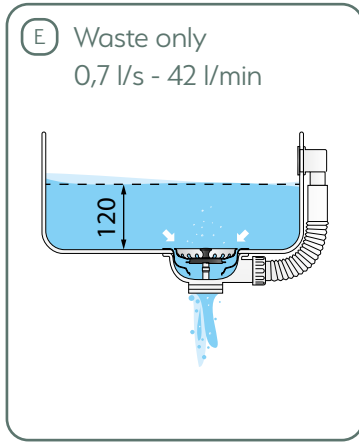
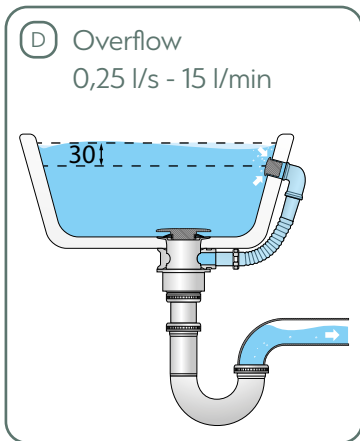
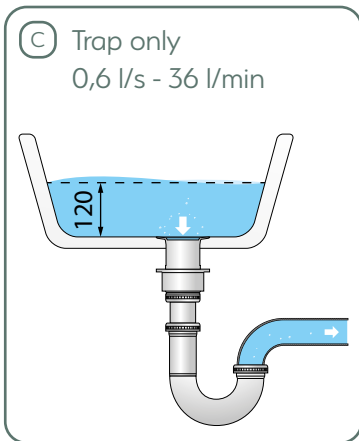
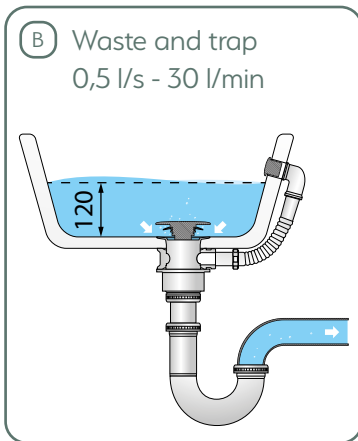
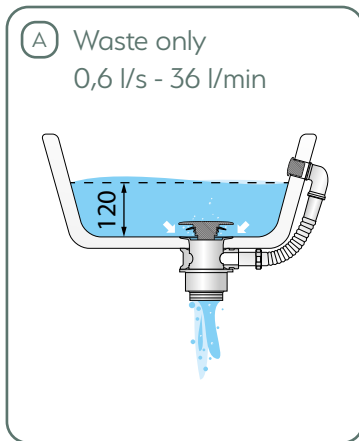
Washbasin and bidet	water column	reference standard		minimum water volum.	minimum water seal
Waste only	120 mm	EN274	A	36 l/min	
Waste and trap	120 mm		B	30 l/min	50 mm
Trap only	120 mm		C	36 l/min	50 mm
Overflow	30 mm		D	15 l/min	

Sink					
Waste only	120 mm	EN274	E	42 l/min	
Waste and trap	120 mm		F	36 l/min	50 mm
Trap only	120 mm		G	42 l/min	50 mm
Overflow	30 mm		H	15 l/min	

Shower tray					
Waste and trap (tray holed ø50÷60 mm)	120 mm	EN274	I	24 l/min	50 mm
Waste and trap (tray holed ø90 mm)	15 mm		J	24 l/min	50 mm

Floor drain					
Trapped floor drain without additional inlet	20 mm	EN1253	K	24 l/min	50 mm
Trapped floor drain (DN 40)	20 mm		L	36 l/min	50 mm
Trapped floor drain (DN 50)	20 mm		M	48 l/min	50 mm

Bathtub					
Waste only	300 mm	EN274	N	60 l/min	
Waste and trap	300 mm		O	48 l/min	50 mm
Trap only	300 mm		P	51 l/min	50 mm
Overflow	60 mm		Q	36 l/min	





Università Cattolica
del Sacro cuore

Research on the eco-efficiency of Halley Evo production compared to traditional die-cast siphons

* Produced from brass pipe without casting

MI-MIP Indicator

Comparison between the "Halley Evo" brass pipe siphon and the die-cast "Europa" siphon

Material Intensity Per Service (MIPS)

MIPS is an indicator originating from the Wuppertal Institute in Germany and used in several European countries by public entities and companies. The indicator is innovative and experimental, providing a measure of the direct and indirect impact that a single unit of a product or service has on the environment throughout its lifecycle. Indeed, MIPS clearly and succinctly identifies the materials used or discarded to produce a unit of product or service. The indicator is related to the use of materials in production processes, as required by the Global Reporting Initiative. MIPS is derived from the ratio between the resources used (calculated in kilograms or tonnes) and the quantity of the final product.

The higher the MIPS value, the greater the amount of material incorporated into the product from the extraction of raw materials to the final production stage (the so-called "ecological backpack" of the product).

The following types of primary resources are included in the MIPS calculation:

- abiotic material;
- biotic material;
- water;
- land transfers (waste material created during raw material extraction);
- air (used in extraction and production processes).

MIP Analysis

The calculation of the MI-MIP indicator was performed for two products: the "Europa" siphon and the "Halley Evo" siphon.

The MI (Material Intensity) index is related to the weight in kilograms of the type of material used in production, while the MIP index (Material Intensity per Product) is related to the weight of the type of material used per single unit of product.

For each of the products, the analysis was conducted

concerning:

- production process (basic separate analyses, production process analysis, subdivision into sub processes, calculation of MI for each phase of the process, and for the total process);
- experimental weight (laboratory weight of the components constituting the finished product and calculation of MI for each component and for the total weight of the product);
- energy consumption (calculation of energy consumption in the production phases of the components constituting the finished products and calculation of total consumption and relative MI-MIP index).

Graphical Representations

"Halley Evo" Siphon (Kg)

Percentage distribution and relative weight (Kg) among production waste of the Halley Evo Siphon and the weight of the product itself. The graph shows the weight of the waste resulting from the production process of the Halley Evo siphon in relation to the weight of the finished product; waste represents 16% of the product's weight, slightly lower than the Europa siphon waste.

"Europa" Siphon (Kg)

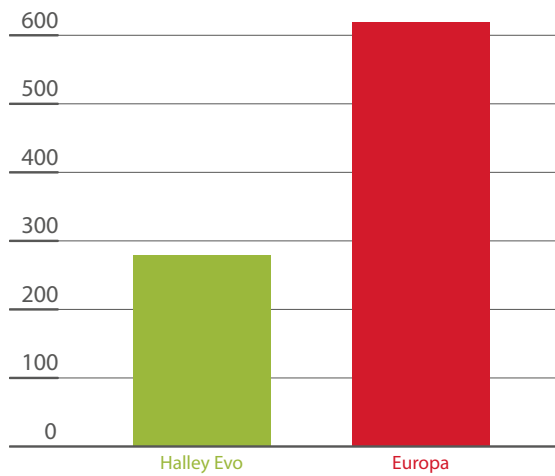
Percentage distribution and relative weight (Kg) among production waste of the Europa Siphon and the weight of the product itself. The graph shows the weight of the waste resulting from the production process of the Europa siphon in relation to the weight of the finished product; waste represents 18% of the product's weight.



Process Material Intensity

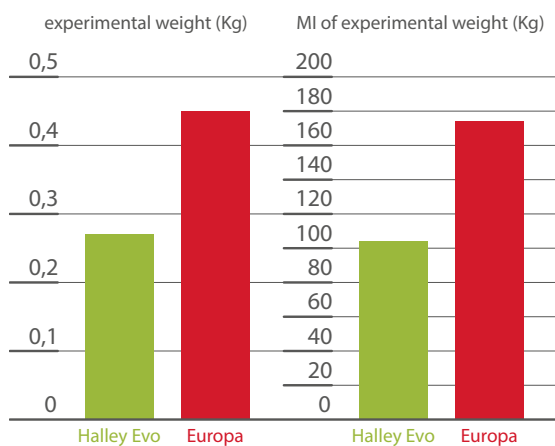
Comparison between the process Material Intensity indices of the "Halley Evo" and "Europa" products. From the graph, it can be deduced that the production process of the Europa siphon involves a much higher

Material Intensity load (expressed in Kg) compared to the production process of the Halley Evo. This comparison should be seen in the context of a production process balance, considering the "added weight" that each material working phase entails. The Europa processing is more articulated than the Halley Evo siphon process, and each additional phase in the process entails a load in terms of Material Intensity. It's essential to consider this graphical representation not as a comparison between products and their materials but exclusively between production processes.



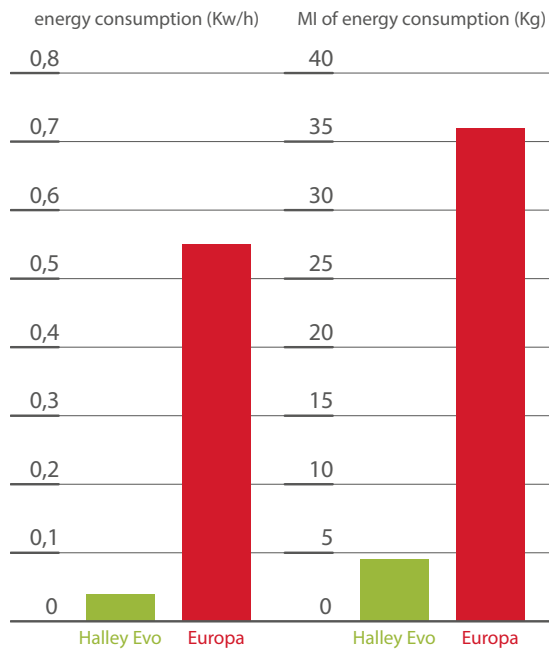
Experimental Weight and MI

Comparison between experimental weight and Material Intensity of experimental weight between the "Halley Evo" and "Europa" siphons. The graph represents the actual load of Material Intensity related to the finished product; the greater weight of the Europa siphon results in a greater Material Intensity load, whereas the lighter Halley Evo siphon has a lower MI load. The graph shows the comparison between weights and MIs related to finished products concerning the materials used, whose actual weight was verified in the laboratory using an experimental weight procedure.



Energy Consumption

Indices between the "Halley Evo" and "Europa" siphons. The graph shows the comparison between the energy consumption related to the production of the two siphons and the related Material Intensity levels. The energy expenditure for Europa siphon production is much higher compared to that used for the Halley Evo siphon; consequently, the MI weight related to energy consumption is higher for the Europa siphon.



Eco-efficiency



The siphon series 26, 28, 510, 700, 710, 711, 713, being made from brass pipe, also adhere to the same characteristics as Halley Evo. Therefore, compared to other siphons in the market, they are produced through a production process with a lower environmental impact.





OMP S.p.A.

Via XI Febbraio 18
25065 Lumezzane (BS)
Italia

T. +39 0365 897941
F. +39 0365 897940

info@omptea.com
www.omptea.eu

9999.DCB4
PREVIEW-EN