

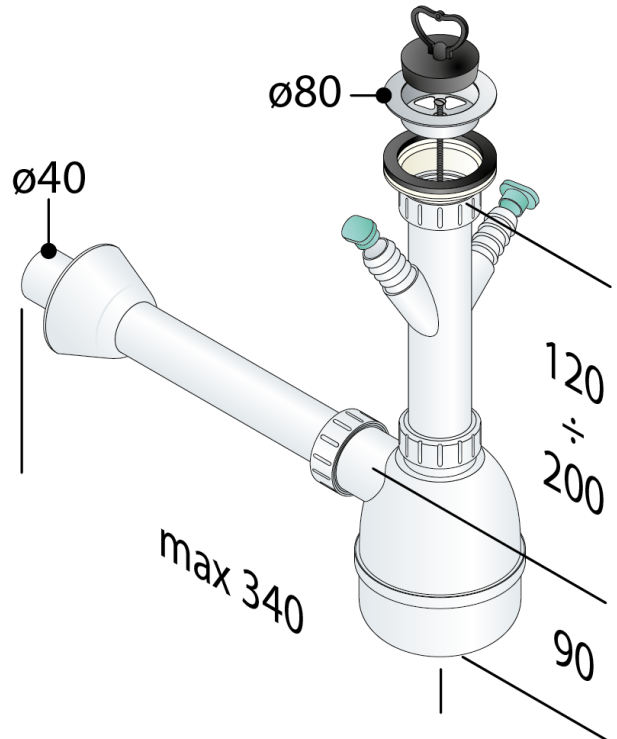
211.764.6

PP trap for single sink

DESCRIZIONE DEL PRODOTTO

1. with universale waste $\varnothing 80$
2. inlet H. $170 \times 1\frac{1}{2}$
3. 2 hose connections
4. outlet L. $300 \times \varnothing 40$
5. PP flange $\varnothing 78$

Name	Lybra
Measure	$\varnothing 80 \times \varnothing 40$
Water seal	50
Water volume	62
Certifications	Product in conformity with European standards EN274





OMP S.p.A.

Via XI Febbraio 18
I-25065 Lumezzane - Italy
VAT No: IT 00628500985

Office and delivery service

Via Industriale, 14 - I-25070 Bione - Italy
+39 0365 897941

omptea.eu - info@omptea.com



PHOTO GALLERY

