

217.244.5

PP bottle trap

DESCRIZIONE DEL PRODOTTO

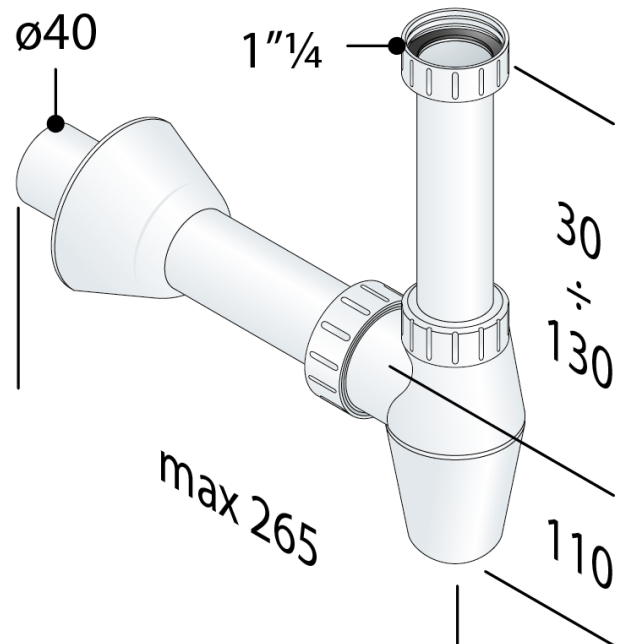
1. inlet H. 120 × 1"¼
2. outlet L. 200 × ø40
3. PP flange ø78

Measure 1"¼ × ø40

Water seal 60

Water volume 6l

Certifications Product in conformity with European standards EN274





since 1957

OMP S.p.A.

Via XI Febbraio 18
I-25065 Lumezzane - Italy
VAT No: IT 00628500985

Office and delivery service

Via Industriale, 14 - I-25070 Bione - Italy
+39 0365 897941

omp tea.eu - info@omp tea.com



PHOTO GALLERY

