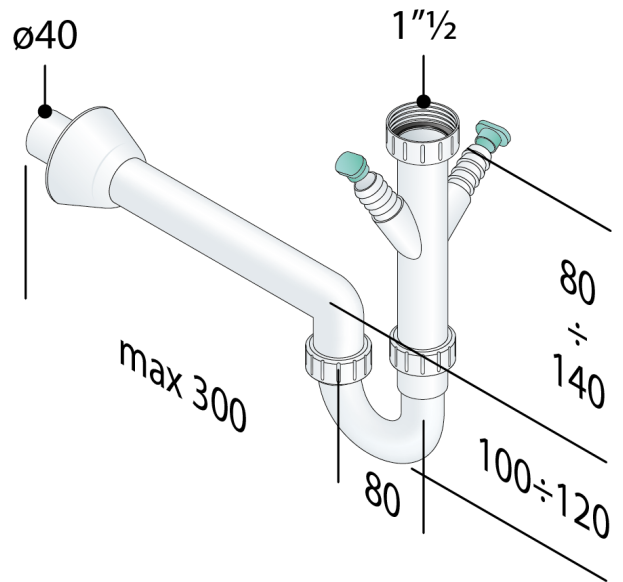


226.754.6

PP trap for single sink

DESCRIZIONE DEL PRODOTTO

1. inlet H. 170 × 1"½
2. 2 hose connections
3. outlet L. 300 × ø40
4. PP flange ø78



Name	Eurotrap
Measure	1"½×ø40
Water seal	60
Water volume	65
Certifications	Product in conformity with European standards EN274



OMP S.p.A.

Via XI Febbraio 18
I-25065 Lumezzane - Italy
VAT No: IT 00628500985

Office and delivery service

Via Industriale, 14 - I-25070 Bione - Italy
+39 0365 897941

omp tea.eu - info@omp tea.com



PHOTO GALLERY

