

232.830.6

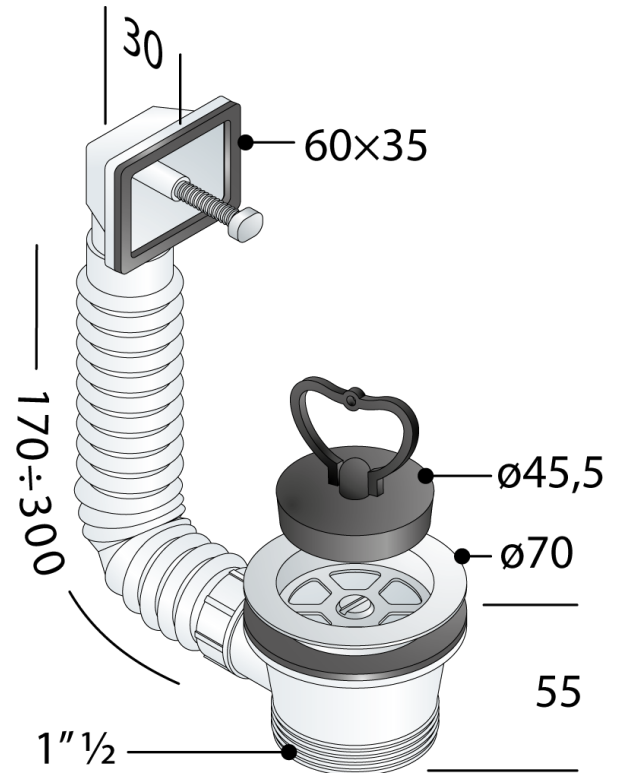
PP universal waste for $\varnothing 60$ sink holed

DESCRIZIONE DEL PRODOTTO

[vc_row][vc_column][vc_column_text css=""]

1. plug with handle ($\varnothing 45,5$)
2. s/steel plate $\varnothing 70$
3. rectangular overflow 60×35
4. without overflow grid
5. flexible connection L. max 300
6. PP valve bottom $1\frac{1}{2}$

[/vc_column_text][/vc_column][/vc_row]



Measure $\varnothing 70 \times 1\frac{1}{2}$

Water volume 54

Certifications Product in conformity with European standards EN274

Overflow water volume 15



since 1957

OMP S.p.A.

Via XI Febbraio 18
I-25065 Lumezzane - Italy
VAT No: IT 00628500985

Office and delivery service

Via Industriale, 14 - I-25070 Bione - Italy
+39 0365 897941

omptea.eu - info@omptea.com

