

234.635.6

PP universal waste for $\varnothing 60$ sink
holed

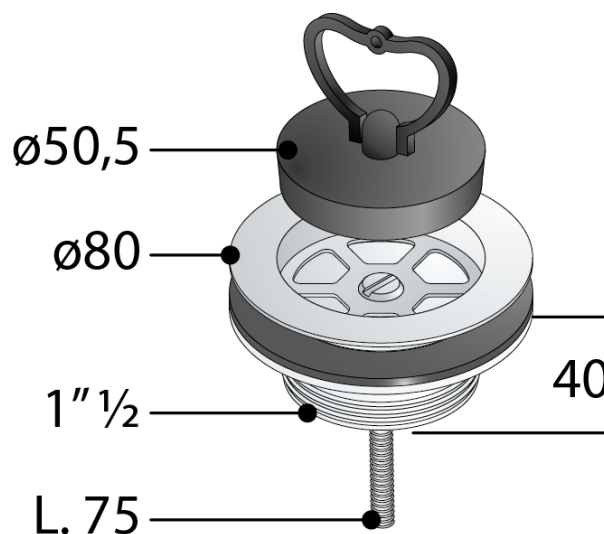
DESCRIZIONE DEL PRODOTTO

1. plug with handle
2. s/steel plate $\varnothing 80$
3. without overflow
4. PP valve bottom $1\frac{1}{2}$

Measure $\varnothing 80 \times 1\frac{1}{2}$

Water volume 59

Certifications Product in conformity with
European standards EN274





since 1957

OMP S.p.A.

Via XI Febbraio 18
I-25065 Lumezzane - Italy
VAT No: IT 00628500985

Office and delivery service

Via Industriale, 14 - I-25070 Bione - Italy
+39 0365 897941

omptea.eu - info@omptea.com

