

---

## 245.096.6

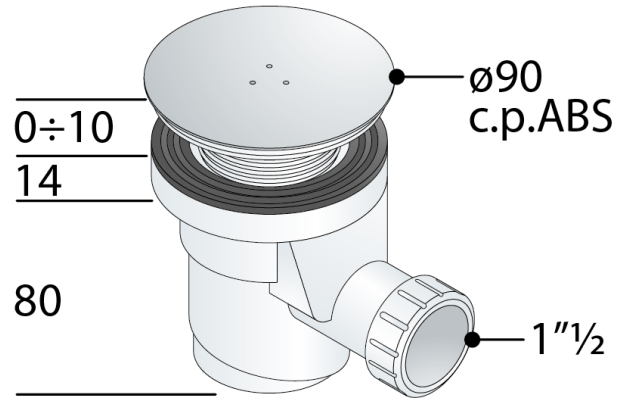
---

ABS trapped waste for  $\varnothing 60$  holed tray

---

### DESCRIZIONE DEL PRODOTTO

1. s/steel coated ABS grid  $\varnothing 90$
2. ABS flange  $\varnothing 80$
3. outlet 1"½
4. room under shower tray 80



---

**Measure**  $\varnothing 90 \times 1" \frac{1}{2}$

**Water seal** 50

**Water volume** 29

**Certifications** Product in conformity with European standards EN274

**Name** Atria

PHOTO GALLERY

