

---

# 2552.451.8

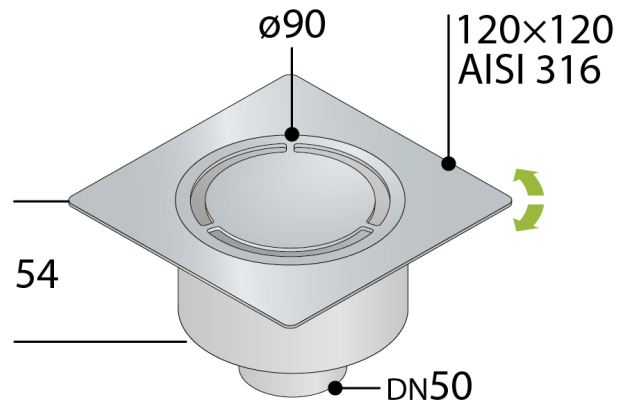
---

## ABS trapped floor drain

---

### DESCRIZIONE DEL PRODOTTO

1. s/steel AISI316 grid  $\varnothing 90$  model Design
2. s/steel AISI316 orientable frame 120×120
3. removable trap for cleaning
4. ABS vertical outlet DN50
5. room under floor H. 54



---

<b>Name</b>	Manila steel
<b>Measure</b>	120×120 × DN50
<b>Water seal</b>	35
<b>Water volume</b>	23

PHOTO GALLERY

