

26.791.5

Chrome plated brass tubular trap with floor pipe

DESCRIZIONE DEL PRODOTTO

1. inlet H. 75 × 1"¼
2. outlet H. 680 × ø32
3. s/steel flange ø65

Certifications

Product in conformity with European standards EN274

Measure

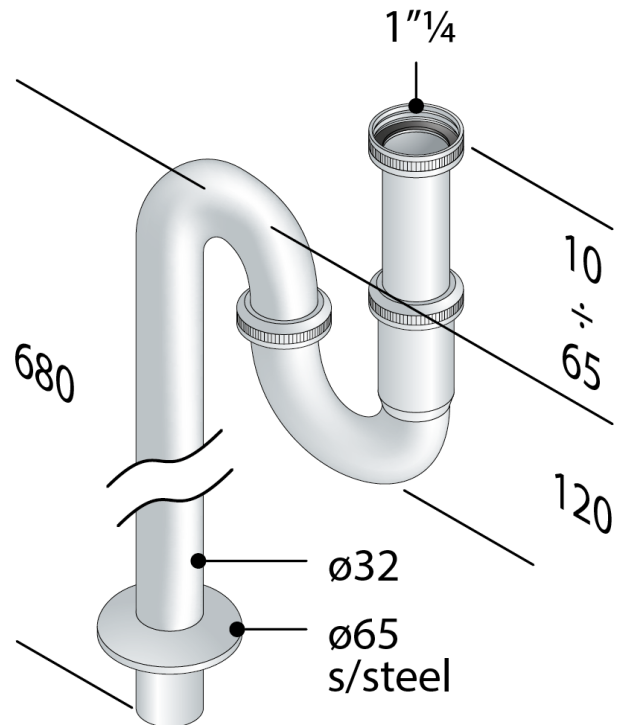
1"¼ × ø32

Water volume

63

Water seal

60





since 1957

OMP S.p.A.

Via XI Febbraio 18
I-25065 Lumezzane - Italy
VAT No: IT 00628500985

Office and delivery service

Via Industriale, 14 - I-25070 Bione - Italy
+39 0365 897941

omptea.eu - info@omptea.com

