



since 1957

OMP S.p.A.

Via XI Febbraio 18
I-25065 Lumezzane - Italy
VAT No: IT 00628500985

Office and delivery service

Via Industriale, 14 - I-25070 Bione - Italy
+39 0365 897941

omp tea.eu - info@omp tea.com

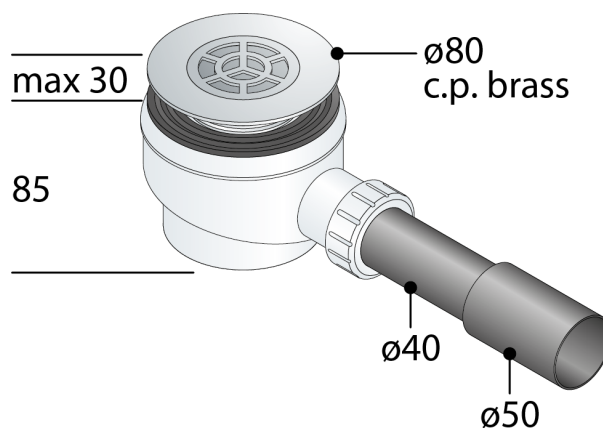


261.067.8

PP trapped waste for $\varnothing 60$ holed tray

DESCRIZIONE DEL PRODOTTO

1. c.p. brass grid $\varnothing 45$
2. c.p. brass flange $\varnothing 80$
3. lateral outlet 1"½
4. PEHD straight outlet $\varnothing 40/50$
5. room under shower tray 85



Name	Naos
Measure	$\varnothing 80 \times \varnothing 40/50$
Water seal	50
Water volume	4l
Certifications	Product in conformity with European standards EN274



since 1957

OMP S.p.A.

Via XI Febbraio 18
I-25065 Lumezzane - Italy
VAT No: IT 00628500985

Office and delivery service

Via Industriale, 14 - I-25070 Bione - Italy
+39 0365 897941

omptea.eu - info@omptea.com



PHOTO GALLERY

