

2665.608.8

ABS trapped floor drain for built-in shower

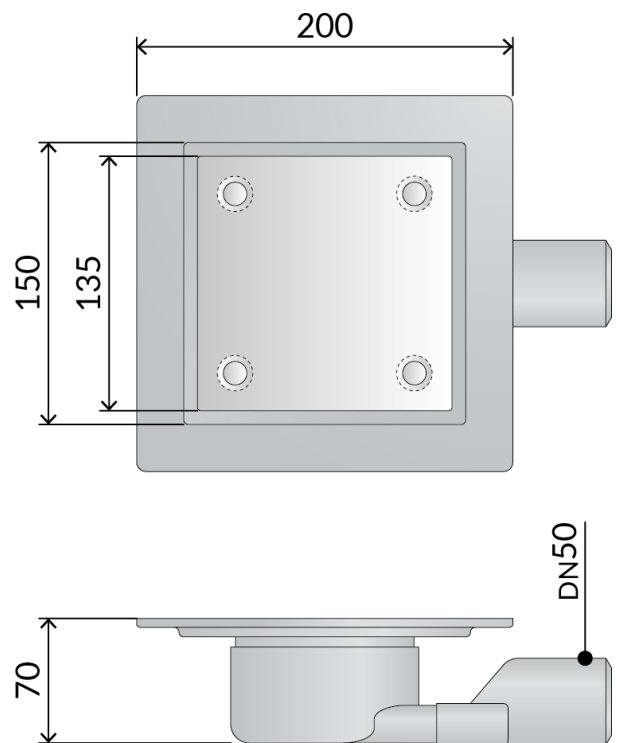
DESCRIZIONE DEL PRODOTTO

[vc_row][vc_column][vc_column_text css=""]

1. support for tile 135×135
2. AISI316 stainless steel support for tile
3. tiles borderline 150×150
4. perimetric waterproofing
5. water trap removable for maintenance
6. ABS lateral outlet DN50
7. under floor encumbrance H. 70

- [for more information...](#)

[/vc_column_text][/vc_column][/vc_row]



Name	Tirana unseen
Measure	150×150×DN50
Water seal	30
Water volume	31



OMP S.p.A.

Via XI Febbraio 18
I-25065 Lumezzane - Italy
VAT No: IT 00628500985

Office and delivery service

Via Industriale, 14 - I-25070 Bione - Italy
+39 0365 897941
omp^{tea}.eu - info@omp^{tea}.com



PHOTO GALLERY

