

## 2755.402.8

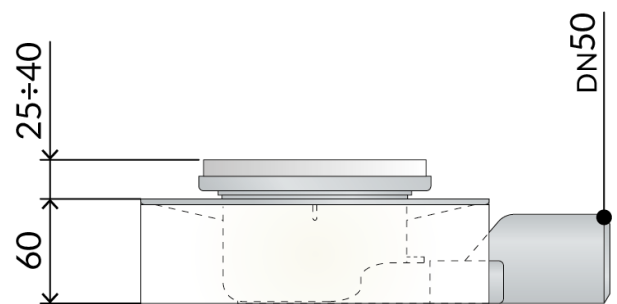
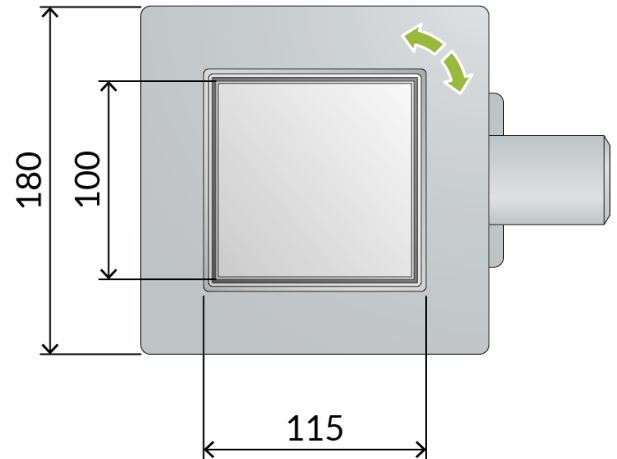
### ABS trapped floor drain for built-in shower

#### DESCRIZIONE DEL PRODOTTO

[vc\_row][vc\_column][vc\_column\_text css=""]

1. frame 115×115
2. tileable cover 100×100
3. AISI316 stainless steel cover and frame adjustable in height and orientable relative to the outlet direction
4. perimetric waterproofing
5. water trap removable for maintenance
6. EPS base for the trap housing and the soundproofing
7. protection lid for construction site
8. dry-spot, drainage point for the water filtered through the flooring
9. ABS lateral outlet DN50
10. tiling thickness 25÷40
11. under floor encumbrance 60

[/vc\_column\_text][/vc\_column][/vc\_row]



<b>Name</b>	Tirana evo
<b>Misura-HM</b>	60
<b>Misura-HT</b>	25÷40
<b>Water volume</b>	31
<b>Water seal</b>	30
<b>Measure</b>	115×115×DN50

PHOTO GALLERY

