

3215.804.6

PP bottle trap for single sink

DESCRIZIONE DEL PRODOTTO

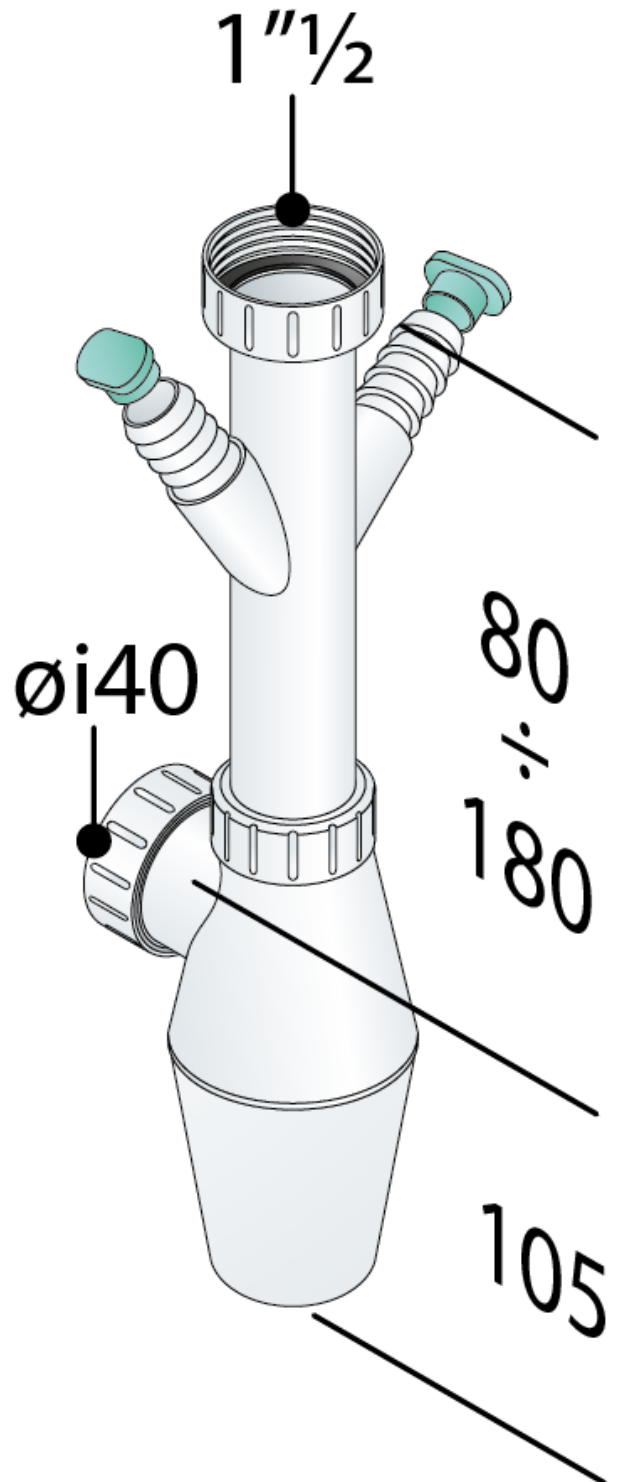
1. inlet H. 170 × 1"½
2. 2 hose connections
3. outlet ø40
4. without wall pipe
5. without flange

Measure 1"½ × ø40

Water seal 60

Water volume 55

Certifications Product in conformity with European standards EN274





since 1957

OMP S.p.A.

Via XI Febbraio 18
I-25065 Lumezzane - Italy
VAT No: IT 00628500985

Office and delivery service

Via Industriale, 14 - I-25070 Bione - Italy
+39 0365 897941

omptea.eu - info@omptea.com

