

---

# 34.610.5

---

## Universal waste

---

### DESCRIZIONE DEL PRODOTTO

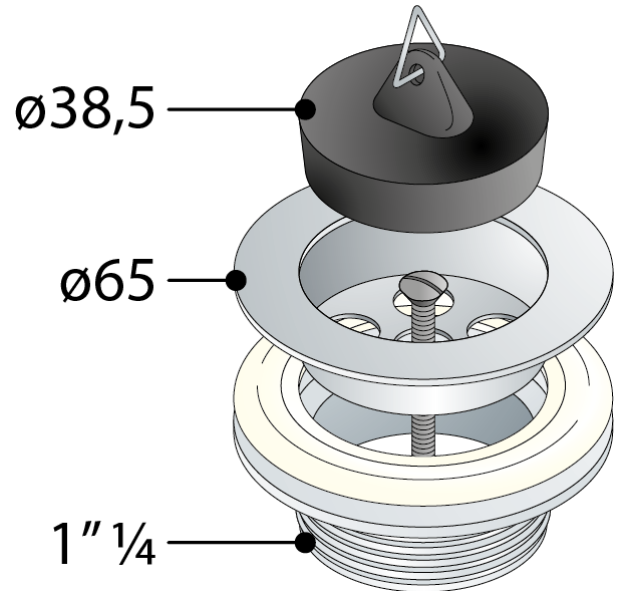
1. plug with triangle
2. s/steel plate  $\varnothing 65$
3. brass valve bottom 1"  $\frac{1}{4}$
4. screw L. 60

---

**Measure**  $\varnothing 65 \times 1" \frac{1}{4}$

**Certifications** Product in conformity with European standards EN274

**Water volume** 36





**OMP** S.p.A.

Via XI Febbraio 18  
I-25065 Lumezzane - Italy  
VAT No: IT 00628500985

**Office and delivery service**

Via Industriale, 14 - I-25070 Bione - Italy  
+39 0365 897941  
omptea.eu - info@omptea.com



**PHOTO GALLERY**

