

---

# 34.630.5

---

## Universal waste

---

### DESCRIZIONE DEL PRODOTTO

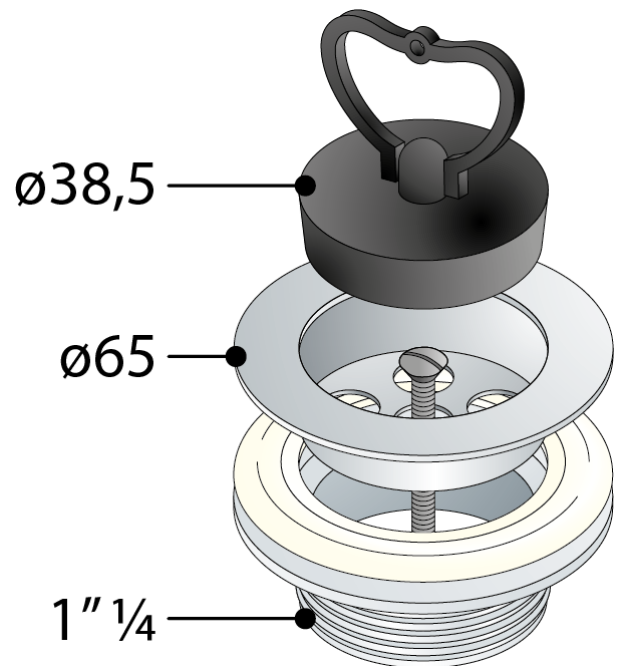
1. plug with handle
2. s/steel plate  $\varnothing 65$
3. brass valve bottom  $1\frac{1}{4}$
4. screw L. 60

---

**Measure**  $\varnothing 65 \times 1\frac{1}{4}$

**Certifications** Product in conformity with European standards EN274

**Water volume** 36





since 1957

**OMP** S.p.A.

Via XI Febbraio 18  
I-25065 Lumezzane - Italy  
VAT No: IT 00628500985

**Office and delivery service**

Via Industriale, 14 - I-25070 Bione - Italy  
+39 0365 897941

[omptea.eu](http://omptea.eu) - [info@omptea.com](mailto:info@omptea.com)

