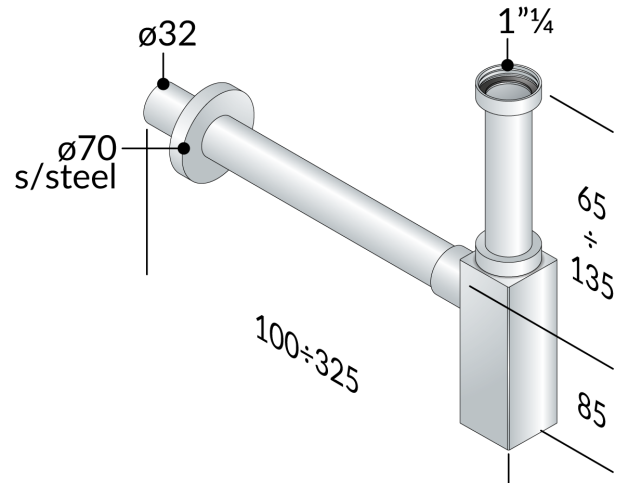


## 410.334.5

Chrome plated stainless steel  
AISI304 design trap for washbasin

### DESCRIZIONE DEL PRODOTTO

1. inlet H. 120 × 1"¼ in stainless steel
2. outlet L. 300 × ø32 in stainless steel
3. stainless steel flange ø70
4. stainless steel nuts



**Measure** 1"¼ × ø32

**Water volume** 36

**Certifications** Product in conformity with  
European standards EN274

**Water seal** 50



**OMP** S.p.A.

Via XI Febbraio 18  
I-25065 Lumezzane - Italy  
VAT No: IT 00628500985

**Office and delivery service**

Via Industriale, 14 - I-25070 Bione - Italy

+39 0365 897941

omptea.eu - info@omptea.com



**PHOTO GALLERY**

