

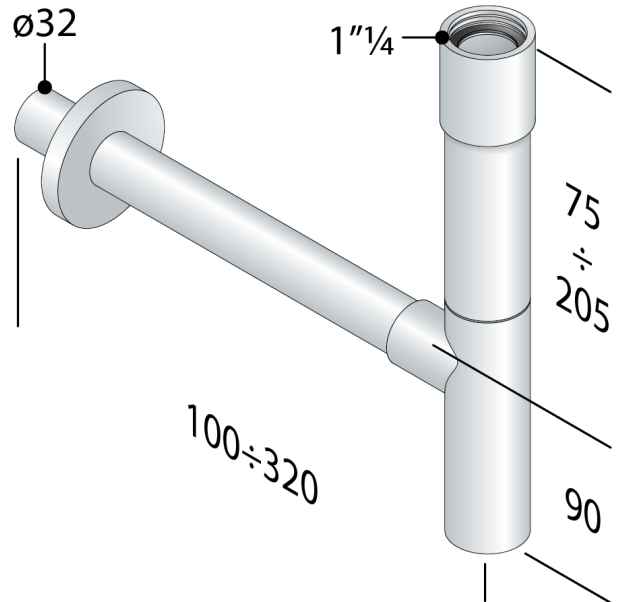
700.135.5.K

Chrome plated brass design trap

DESCRIZIONE DEL PRODOTTO

1. inlet H. 165 × 1"¼
2. outlet L. 300 × ø32
3. brass flange ø80

Name	Totem
Certifications	Product in conformity with European standards EN274
Measure	1"¼ × ø32
Water volume	43
Water seal	50





OMP S.p.A.

Via XI Febbraio 18
I-25065 Lumezzane - Italy
VAT No: IT 00628500985

Office and delivery service

Via Industriale, 14 - I-25070 Bione - Italy
+39 0365 897941

omptea.eu - info@omptea.com



PHOTO GALLERY

