

710.135.5.K

Chrome plated brass design trap

DESCRIZIONE DEL PRODOTTO

1. inlet H. 165 × 1"¼
2. outlet L. 300 × ø32
3. brass flange ø80

Certifications

Product in conformity with European standards EN274

Measure

1"¼ × ø32

Name

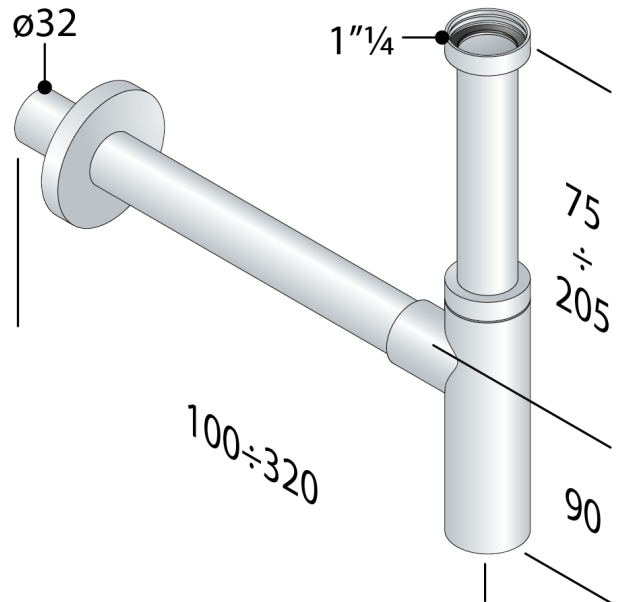
Toti

Water volume

45

Water seal

50





OMP S.p.A.

Via XI Febbraio 18
I-25065 Lumezzane - Italy
VAT No: IT 00628500985

Office and delivery service

Via Industriale, 14 - I-25070 Bione - Italy
+39 0365 897941

omp tea.eu - info@omp tea.com



PHOTO GALLERY

