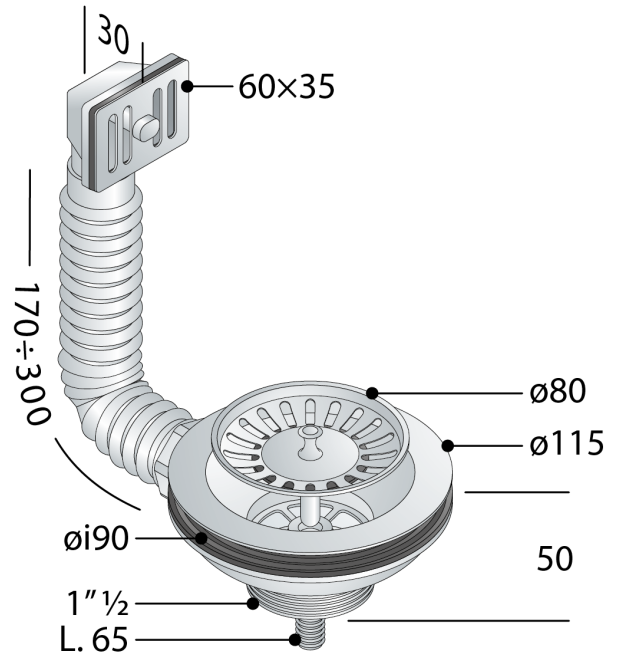


833.605.6

Chrome plated brass waste for
ø90 sink holed

DESCRIZIONE DEL PRODOTTO

1. s/steel grid ø80
2. rectangular overflow 60×35
3. s/steel overflow grid 63×37
4. flexible connection L. max 300
5. screw L. 65



Certifications

Product in conformity with
European standards EN274

Measure

ø115×1"½

Name

Pic nic

Water volume

5l

Overflow water volume

15l



OMP S.p.A.

Via XI Febbraio 18
I-25065 Lumezzane - Italy
VAT No: IT 00628500985

Office and delivery service

Via Industriale, 14 - I-25070 Bione - Italy

+39 0365 897941

omptea.eu - info@omptea.com



PHOTO GALLERY

