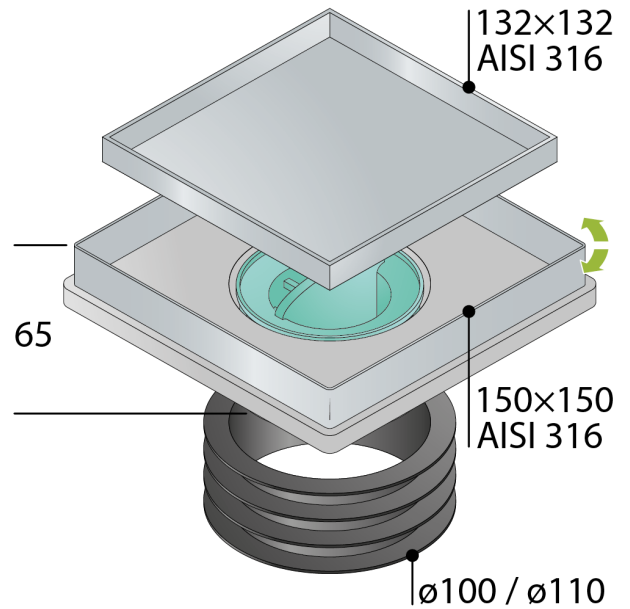


9977.612.9

Universal ABS floor drain with AISI316 s/steel grid and frame

DESCRIZIONE DEL PRODOTTO

1. AISI316 stainless steel frame and grid 2 in 1 system (tileable or satin)
2. frame dimension 150×150
3. with water trap
4. universal gasket in EPDM to fit different pipes diameters, from $\varnothing 100$ to $\varnothing 110$
5. dry-spot: drainage points for the water filtered through the flooring
6. height adjustment from 25 to 40 mm
7. inner height of tileable insert 10 mm



Measure	150×150
Name	Kalamáta
Water seal	30

PHOTO GALLERY

